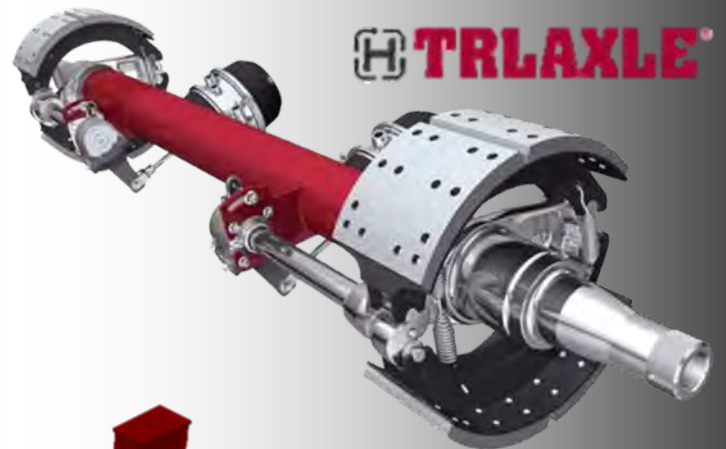




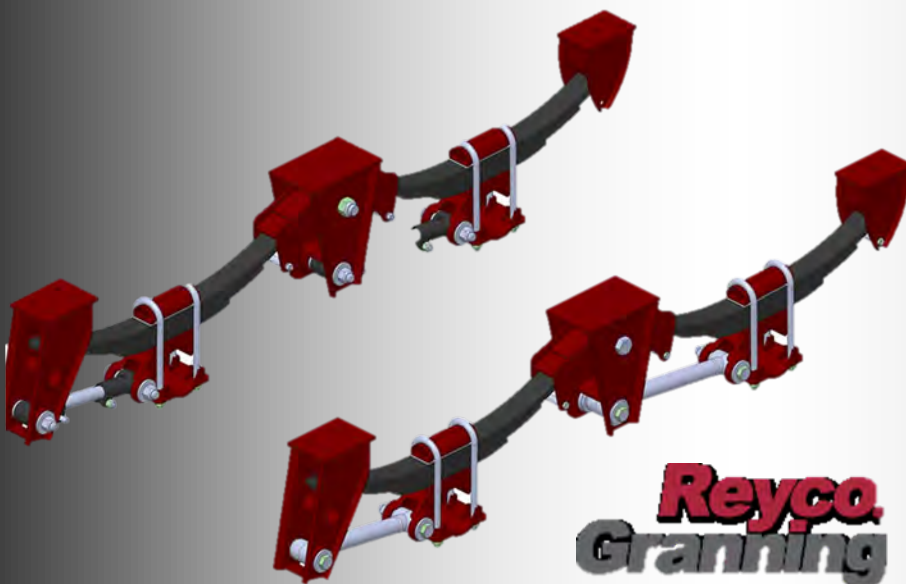
SUSPENSION PARTS CATALOG



H INTRAAX®



H TRILAXLE®



**Reyco
Granning**

Revised March 2025



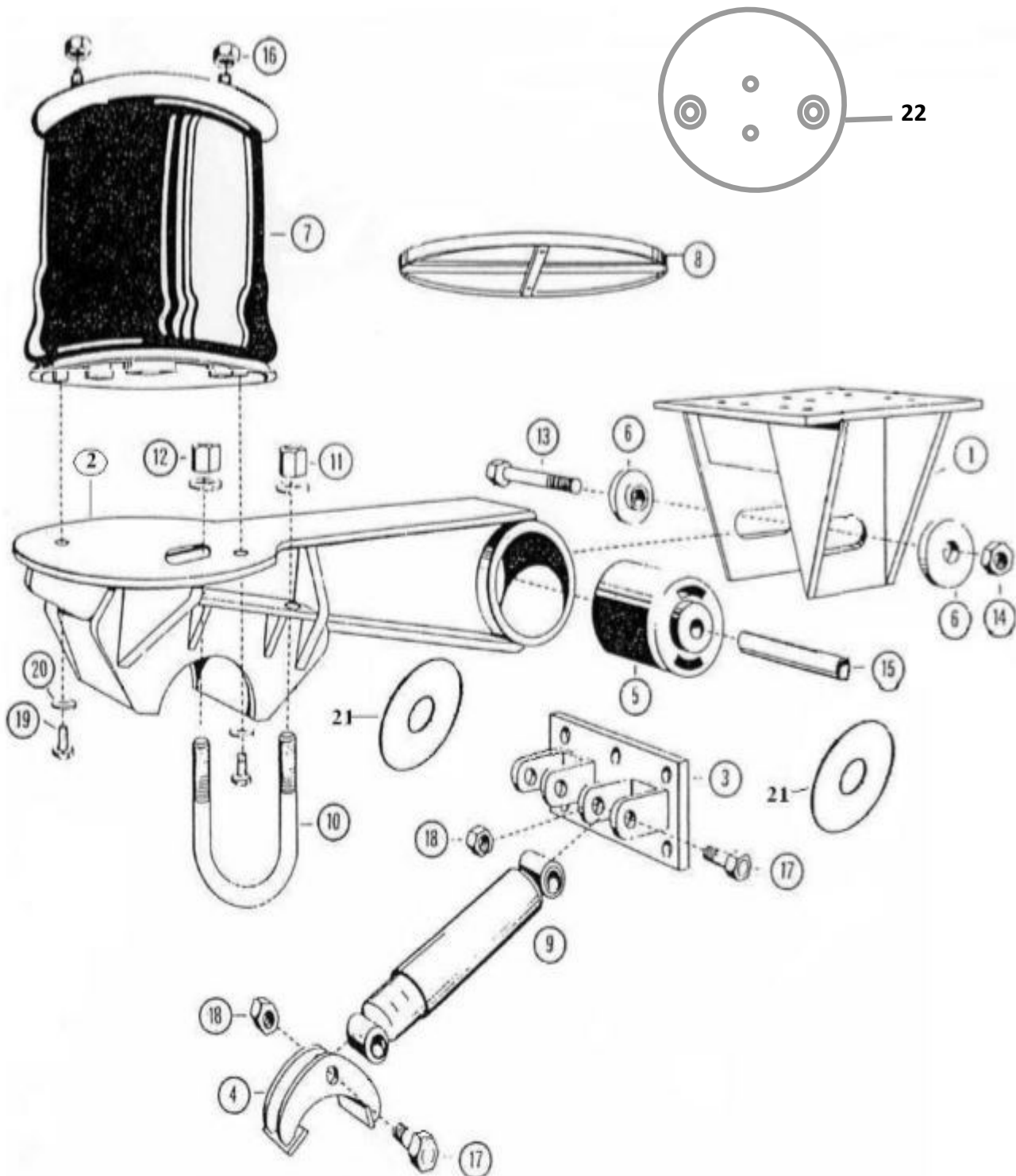
SUSPENSION PARTS CATALOG

Table of Contents

ITEM	PAGE NUMBER
HENDRICKSON T-15/T-17/T-20	2-3
HENDRICKSON HT 230-14/16	4-5
HENDRICKSON HT-300-15/17	6-7
HENDRICKSON HT250-15-17-19	8-9
HENDRICKSON INTRAAX AAT23K/25K/30K	10-11
HENDRICKSON INTRAAX AAL23K/25K/30K	12-15
HENDRICKSON HLN LIFT SUSPENSION	16-16a
HENDRICKSON UBL LIFT KIT	17-18
HUTCHENS H-900-50 SINGLE POINT	19-20
MERITOR RFS 23K	21-22
MERITOR RFS 25K	23-24
NEWAY TS-4400/5000/5600	25-26
RHC SUSPENSION	27-28
REYCO 21B	29-31
WATSON WCTA 5000	32-33
WATSON WCTL 9000	34-35
HENDRICKSON AXLE ASSEMBLIES	36
WHEEL END COMPONENTES	37-38
SUSPENSION REBUSHING KITS	39
SUSPENSION OPTIONAL COMPONENTS	40
AIR DISK BRAKE COMPONENTS	41
COMPOSILITE FX SUSPENSION	42

SUSPENSION PARTS CATALOG

HENDRICKSON T-15/17/20





SUSPENSION PARTS CATALOG

HENDRICKSON T-15/17/20 PARTS LIST

Item #	East part #	QTY	Description	Notes
1	517-05501-20	1	Frame Bracket T-15 Roadside / L.H	
	517-05502-20	1	Frame Bracket T-15 Curbside / R.H	
	517-05701-20	1	Frame Bracket T-17 Roadside / L.H	
	517-05702-20	1	Frame Bracket T-17 Curbside / R.H	
	517-05201-20	1	Frame Bracket T-20 Roadside / L.H (OBSOLETE)	
	517-05202-20	1	Frame Bracket T-20 Curbside / R.H (OBSOLETE)	
2	517-05703-20	2	Beam & Axle Seat T-15 / T-17 Roadside / L.H	
	517-05704-20	2	Beam & Axle Seat T-15 / T-17 Curbside / R.H	
	517-05203-20	2	Beam & Axle Seat T-20 Roadside / L.H (OBSOLTE)	
	517-05204-20	2	Beam & Axle Seat T-20 Curbside / R.H (OBSOLTE)	
3	517-05001-20	2	Upper Shock Bracket	
4	517-05002-20	2	Lower Shock Bracket	
5	517-15821-20	2	Weld Align Pivot Connection Kit	Kit Page 39
			(Includes Items 5, 13,14,15 and 21)	
6	517-05004-20	4	Weld Alignment Collars	
7	518-05005-20	2	Air Spring After- 1985 2 Stud	
	518-05004-20	2	Air Spring PRE- 1985 4 Stud (OBSOLETE)	
8	558-05008-00	2	Aluminum Air Spring Spacer T-17	
9	517-05006-20	2	Shock Absorber	
10	517-05007-20	1	Axle U-Bolt Kit 1 Suspension	Kit Page 39
			(Incudes Items 10, 11, and 12)	
16	517-05009-20	2	Air Bag Mounting Kit	
			(Includes Items 16, 17, 18, 19, and 20)	
21	517-05206-20	4	Nylon Bushing Retainer Disk	Kit Page 39
			(Also Included in Item #5)	
22	517-05813-20	2	Air Bag Top Plate	



SUSPENSION PARTS CATALOG

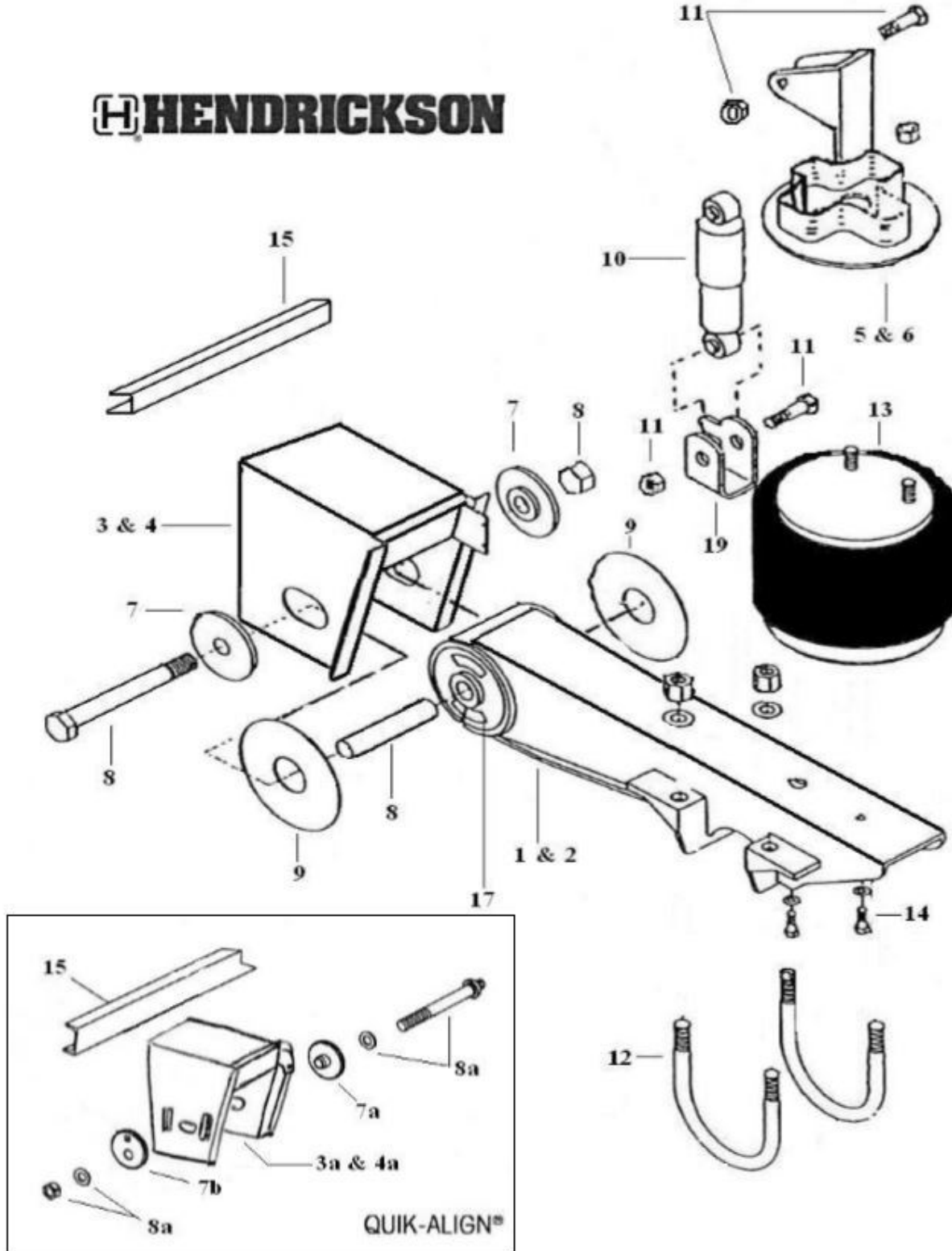
HENDRICKSON HT SERIES SUSPENSIONS



SUSPENSION PARTS CATALOG

HENDRICKSON HT230-14/16

HENDRICKSON



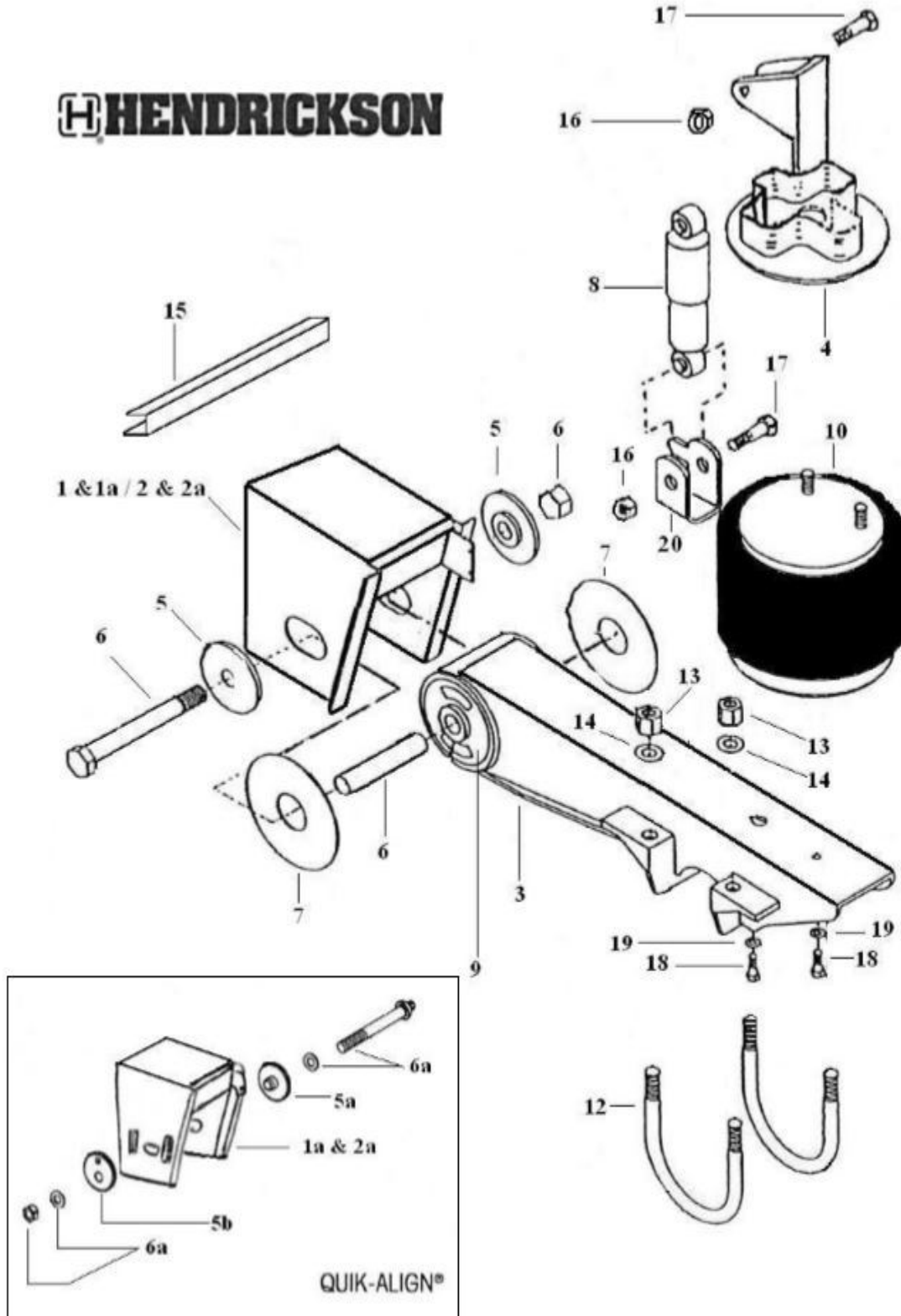
HENDRICKSON HT230-14/16 PARTS LIST

Item #	East part #	QTY	Description	Notes
1	517-05100-20	1	Beam & Axle Seat HT-14/16 Curbside / R.H	
2	517-05101-20	1	Beam & Axle Seat HT-14/16 Roadside / L.H	
3	517-05102-20	1	Frame Bracket HT-14 Curbside / R.H	
	517-05103-20	1	Frame Bracket HT-14 Roadside / L.H	
3a	517-05802-20	1	Frame Bracket HT-14 Q/A Curbside / R.H	
	517-05803-20	1	Frame Bracket HT-14 Q/A Roadside / L.H	
4	517-05104-20	1	Frame Bracket HT-16 Curbside / R.H	
	517-05105-20	1	Frame Bracket HT-16 Roadside / L.H	
4a	517-05800-20	1	Frame Bracket HT-16 Q/A Curbside / R.H	
	517-05801-20	1	Frame Bracket HT-16 Q/A Roadside / L.H	
4b	517-05118-20	1	Frame Bracket HT-18 Q/A Roadside / L.H	
	517-05119-20	1	Frame Bracket HT-18 Q/A Curbside / R.H	
5	517-05106-20	1	Air Spring Shock Mount HT-14 Curbside / R.H	
	517-05107-20	1	Air Spring Shock Mount HT-14 Roadside / L.H	
6	517-05108-20	1	Air Spring Shock Mount HT-16 Curbside / R.H	
	517-05109-20	1	Air Spring Shock Mount HT-16 Roadside / L.H	
6a	517-05116-20	1	Air Spring Shock Mount HT-18 Roadside / L.H	
	517-05117-20	1	Air Spring Shock Mount HT-18 Curbside / R.H	
7	517-05004-20	4	Alignment Collars Weld Align	
7a	517-05020-20	2	Eccentric Align Collar Quick Align	
	517-05021-20	2	Concentric Align Collar Quick Align	
8	517-05008-20	2	Pivot Bolt Kit (Weld Align)	
8a	517-05679-20	2	Pivot Bolt Kit (Quick Align) (Included in Item 17)	See Kit Page 39
9	517-05206-20	4	Nylon Retainer Disk (Included in item 17)	See Kit Page 39
10	517-05110-20	2	Shock Absorber	
11	517-05010-20	2	Shock Bolt Kit	
12	517-05113-20	4	U-Bolt Kit HT Suspensions	
13	518-05009-20	2	Air Spring HT-14/ HT-16	
14	517-05009-20	2	Air Spring mounting Kit	
15	554-05014-00	1	3" Steel Cross Brace 42" (102"W Chassis)	
	554-05014-01	1	3" Steel Cross Brace 36" (96"W Chassis)	
17	517-15821-20	2	Trifunctional Bushing Kit (Weld Align)	
	517-15822-20	2	Trifunctional Bushing Kit (Quick Align)	See Kit Page 39
			(Includes Items 8,9,and 17)	

SUSPENSION PARTS CATALOG

HENDRICKSON HT300-15/17

HENDRICKSON





SUSPENSION PARTS CATALOG

HENDRICKSON HT300 15/17 PARTS LIST

Item #	Part #	QTY	Description	Notes
1	517-05300-20	1	Frame Bracket HT300-17-002 Curbside / R.H	
	517-05301-20	1	Frame Bracket HT300-17-002 Roadside / L.H	
1a	517-05902-20	1	Frame Bracket (Q/A) HT300-17-060 Curbside / R.H	
	517-05903-20	1	Frame Bracket (Q/A) HT300-17-060 Roadside / L.H	
2	517-05302-20	1	Frame Bracket HT300-15-002 Curbside / R.h	
	517-05303-20	1	Frame Bracket HT300-15-002 Roadside / L.H	
2a	517-05904-20	1	Frame Bracket (Q/A) HT300-15-060 Curbside / R.H	
	517-05905-20	1	Frame Bracket (Q/A) HT300-15-060 Roadside / L.H	
3	517-05304-20	1	Beam and Axle Seat HT300-15/17 Curbside / R.H	
	517-05305-20	1	Beam and Axle Seat HT300-15/17 Roadside / L.H	
4	517-05307-20	1	Air Spring, Shock Mount HT300-17 Curbside / R.H	
	517-05308-20	1	Air Spring, Shock Mount HT300-17 Roadside / L.H	
	517-05309-20	1	Air Spring, Shock mount HT300-15 Curbside / R.H	
	517-05310-20	1	Air Spring, Shock Mount HT300-15 Roadside / L.H	
5	517-05004-20	4	Welded Alignment Collar	
5a	517-05020-20	2	Q/A Eccentric Collar	
5b	517-05021-20	2	Q/A Concentric Collar	
6	517-05008-20	2	Pivot Bolt Kit (Welded Align) (Included in Item 9a)	See Kit Page 39
6a	517-05679-20	2	Pivot Bolt Kit (Quick Align) (Included in item 9)	See Kit Page 39
7	517-05206-20	4	Nylon Bushing Retainer Disk (Included in Item 9 & 9a)	See Kit Page 39
8	517-05306-20	2	Shock Absorber	
9	517-15822-20	2	Tri Functional Bushing Kit (Q/A)	See Kit Page 39
9a	517-15821-20	2	Tri Functional Bushing Kit (Weld Align)	See Kit Page 39
10	518-05005-20	2	Air Spring / Ride Bag	
12	517-05113-20	4	Axle U-Bolt Kit (Includes items 13 & 14)	
15	554-05014-00	1	3" Steel Channel (102"W Units) 42"	
	554-05014-01	1	3" Steel Channel(96"W units) 36"	
16-19	517-05010-20	2	Shock Bolt Kit	
20	517-05111-20	2	Lower Shock Mount	



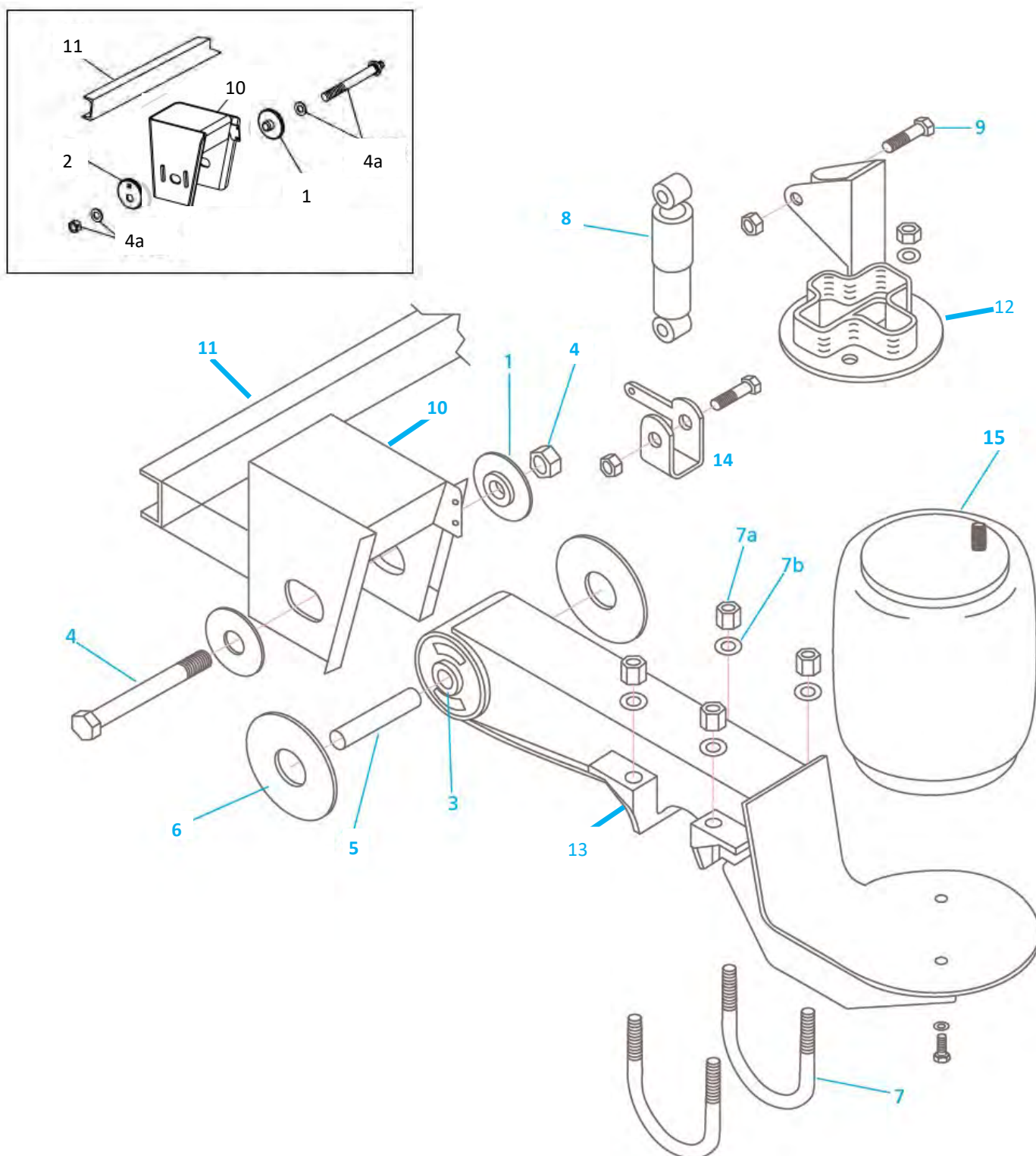
SUSPENSION PARTS CATALOG

HENDRICKSON HT250 15/17 /19



SUSPENSION PARTS CATALOG

HENDRICKSON HT250 15/17 /19





SUSPENSION PARTS CATALOG

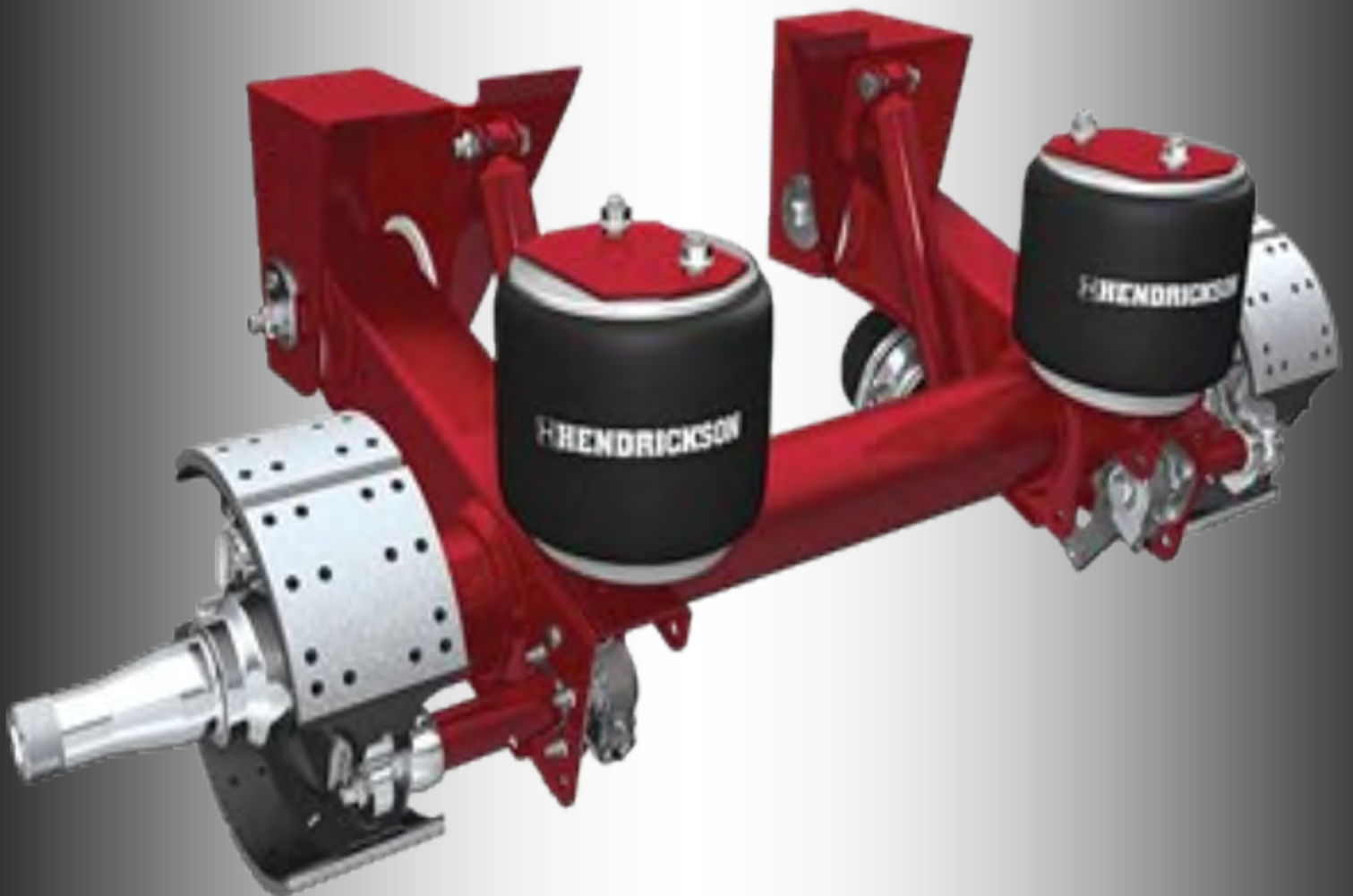
HENDRICKSON HT250 15/17 /19

NO	Part Number	QTY	Description	Notes
1.	517-05021-20	2	Concentric Collars	
1a.	517-05004-20	4	Weld Align Collars	
1.	517-05020-20	2	Eccentric Collars	
3-6.	517-15821-20	2	Weld Align Bushing Kit	See Kit Page 39
	517-15822-20	2	Q/A Bushing Kit	See Kit Page 39
4.	517-05008-20	2	Pivot Bolt Kit Weld Align	See Kit Page 39
4a	517-05679-20	2	Pivot Bolt Kit Quick Align	See Kit Page 39
7.	517-05113-20	4	U-Bolt Kit	
8.	517-05212-20	2	HT250 Shock Absorber	
9.	517-05010-20	2	Shock Bolt Kit	
10.	517-05102-20	1	HT250-15-002 W/A Hanger P/S	
	517-05103-20	1	HT250-15-002 W/A Hanger D/S	
	517-05104-20	1	HT250-17-002 W/A Hanger P/S	
	517-05105-20	1	HT250-17-002 W/A Hanger D/S	
	517-05396-20	1	HT250-19-002 W/A Hanger D/S	
	517-05397-20	1	HT250-19-002 W/A Hanger P/S	
11.	554-05014-00	1	41" Cross Channel 102"w Units	
	554-05014-01	1	38" Cross Channel 96" Units	
12.	517-05122-20	1	P/S Bag/Shock Mount Plate 15"RH	
	517-05121-20	1	D/S Bag/Shock Mount Plate 15"RH	
	517-05135-20	1	D/S Bag/Shock Mount Plate 17" RH	
	517-05136-20	1	P/S Bag/Shock Mount Plate 17" RH	
	517-05213-20	1	P/S Bag/Shock Mount Plate 19" RH	
	517-15214-20	1	D/S Bag/Shock Mount Plate 19" RH	
13.	517-05137-20	1	Trailing Beam Assy. Driver	
	517-05138-20	1	Trailing Beam Assy. Passenger	
14.	517-05111-20	2	Lower Shock Mount	
15.	518-05011-20	2	Air Bag / Air Spring	



SUSPENSION PARTS CATALOG

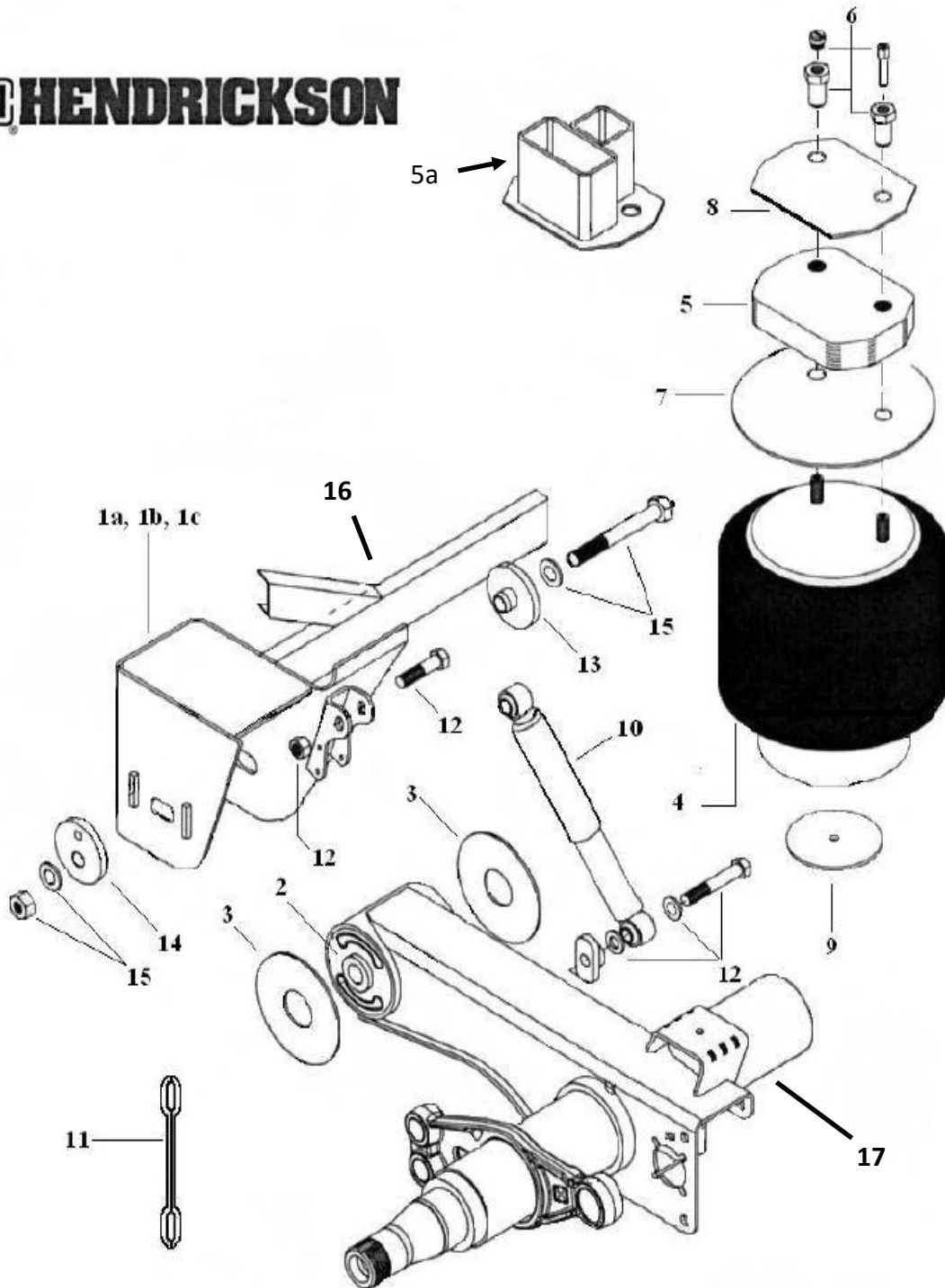
HENDRICKSON INTRAAX SERIES SUSPENSION



SUSPENSION PARTS CATALOG

HENDRICKSON INTRAAX 23K, 25K, 30K

HENDRICKSON



HENDRICKSON INTRAAX PARTS LIST (Non LDA Pre 2012)

NO.	Part #	QTY	Item	Notes
1a	517-15825-20	1	Hanger AAT 23K-30K 14" & 15" B.O. Roadside / L.H	
	517-15826-20	1	Hanger AAT 23K-30K 14" & 15" B.O. Curbside / R.H	
	517-25831-20	1	Hanger Galvanized 23K-30K 14" & 15" Roadside / L.H	
	517-25832-20	1	Hanger Galvanized 23K-30K 14" & 15" Curbside / R.H	
1b	517-15823-20	1	Hanger AAT 23K-30K 16"&17" B.O. Roadside / L.H	
	517-15824-20	1	Hanger AAT 23K-30K 16"&17" B.O. Curbside / R.H	
	517-25833-20	1	Hanger Galvanized 23K-30K 16" & 17" Roadside / L.H	
	517-25834-20	1	Hanger Galvanized 23K-30K 16" & 17" Curbside / R.H	
1c	517-15831-20	1	Hanger AAT 23K-30K 18" & 19" B.O. Roadside / L.H	
	517-15832-20	1	Hanger AAT 23K-30K 18" & 19" B.O. Curbside / R.H	
2	517-15822-20	2	Quick Align Pivot Bushing Kit (1 Arm) Includes Items 2, 3, and 15	See Kit Page 39
3	517-05206-20	4	Bushing Retainer Disk	See Kit Page 39
4	518-05017-20	2	Air Spring AAT 23K	
	518-05018-20	2	Air Spring AAT 25K	
	518-05022-20	2	Air Spring AAT 30K	
5	517-15125-20	2	Air Spring Spacer (1-1/8") 15" Ride Height (Pre 2012)	
	517-15126-20	2	Air Spring Spacer (1-7/8") 16" Ride Height (Pre 2012)	
	517-15127-20	2	Air Spring Spacer (3-1/8") 17" Ride Height (Pre 2012)	
5a	517-05079-20	2	19" RH AAT Air Bag Spacer Non LDA (Pre 2012)	
6	517-15193-20	2	Air Spring Mounting Kit No Spacer	
	517-15190-20	2	Air Spring Mounting Kit, 15" Ride Height (Pre 2012)	
	517-15191-20	2	Air Spring Mounting Kit, 16" Ride Height (Pre 2012)	
	517-15192-20	2	Air Spring Mounting Kit, 17" Ride Height (Pre 2012)	
7	517-05813-20	2	Air Spring Flex Plate	
8	517-05390-20	2	Air Spring Mounting Plate	
8	517-05392-20	2	Galvanized Mounting Plate	
		2	Air Spring Weld on Plate Steel Frame	
9	517-05391-20	2	Air Spring Bottom Retainer Disk	
10	517-05805-20	2	Shock Absorber AAT 23K & AAT 25K	
	517-05808-20	2	Shock Absorber AAT 30K	
11	517-05861-20	1	Shock Limiting Strap Kit AAT23K-25K 17" RH	
	517-05862-20	1	Shock Limiting Strap Kit AAT30K 17"-19" RH	

SUSPENSION PARTS CATALOG



HENDRICKSON INTRAAX PARTS LIST (Non LDA Pre 2012) Cont.

NO.	Part #	QTY	Item	Notes
12	517-05810-20	2	Shock Bolt Kit with Spacer	
13	517-05020-20	2	Eccentric Collar	
14	517-05021-20	2	Con Central Collar	
15	517-05679-20	2	Pivot Beam Bolt Kit (Quick Align)	See Kit Page 39
16	517-15003-20	1	K-Bracing Mounting Kit 102" W Chassis	
	517-15008-20	1	K-Bracing Mounting Kit 96" W Chassis	
17	517-05051-20	1	Non-LDA Air Spring Pedestal (Pre 2012) 5" Axle Driver Side	
	517-05052-20	1	Non-LDA Air Spring Pedestal (Pre 2012) 5" Axle Passenger Side	
	517-05051-20	1	LDA Pedestal L.H. 14" Ride height (After 2012)	
	517-05052-20	1	LDA Pedestal R.H. 14" Ride Height (After 2012)	
	517-05053-20	1	LDA Pedestal L.H. 15"-16" Ride Height (After 2012)	
	517-05054-20	1	LDA Pedestal R.H. 15"-16" Ride Height (After 2012)	
	517-05055-20	1	LDA Pedestal L.H. 17"-19" Ride Height (After 2012)	
	517-05056-20	1	LDA Pedestal R.H. 17"-19" Ride Height (After 2012)	



SUSPENSION PARTS CATALOG

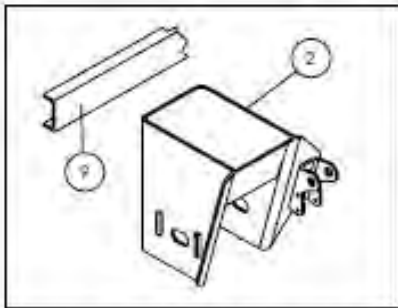
Hendrickson AAL Suspension's



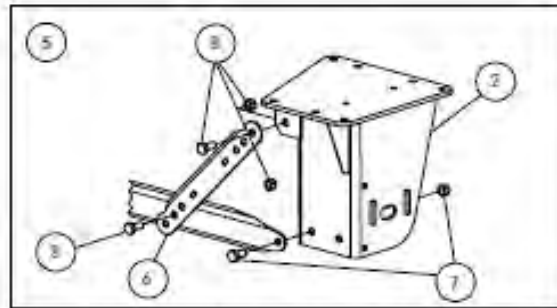
SUSPENSION PARTS CATALOG

Hendrickson AAL Suspension's

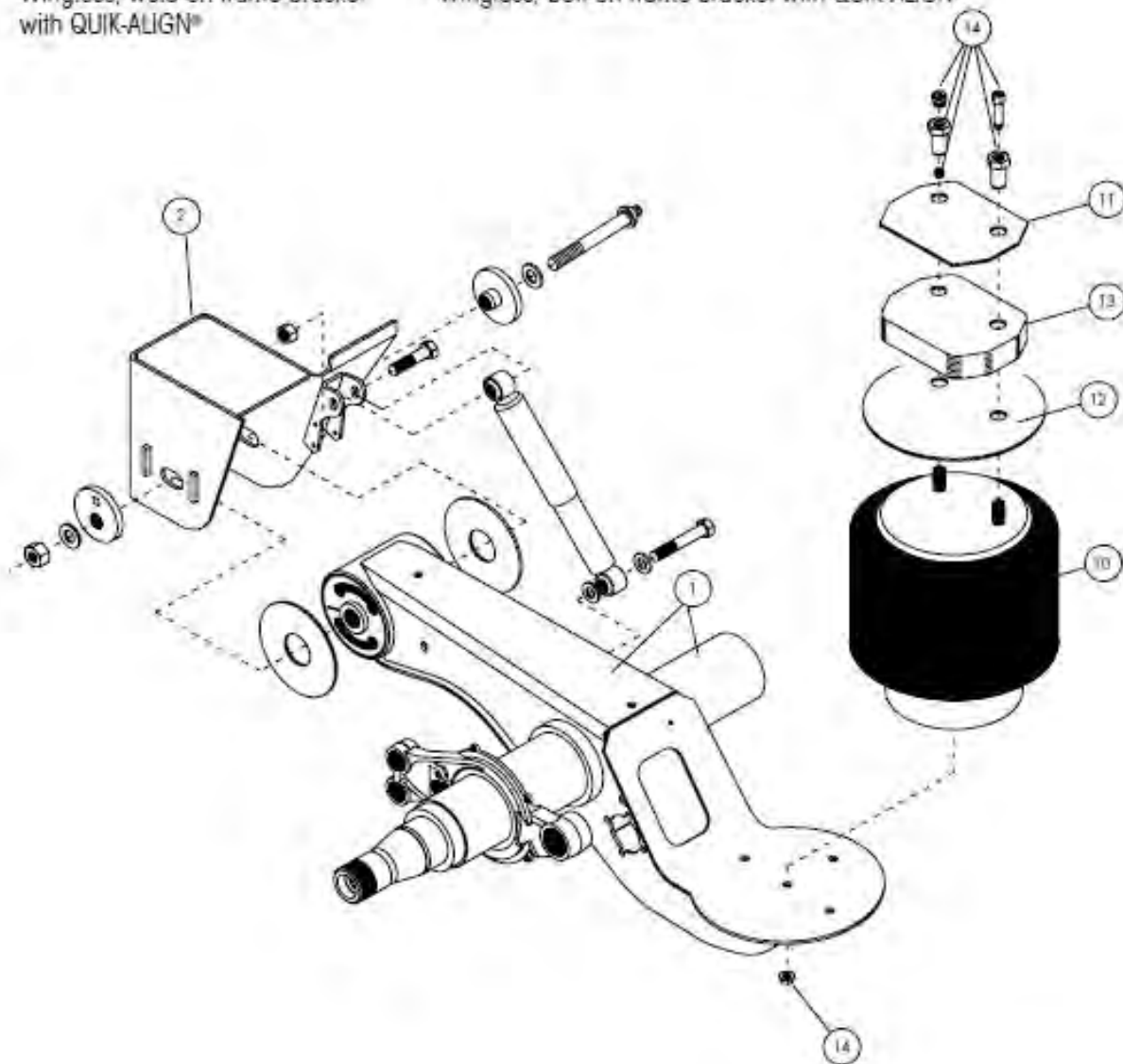
INTRAAX[®] AAL 23K / 25K / 30K PARTS LIST



Wingless, weld-on frame bracket with QUIK-ALIGN[®]



Wingless, bolt-on frame bracket with QUIK-ALIGN[®]





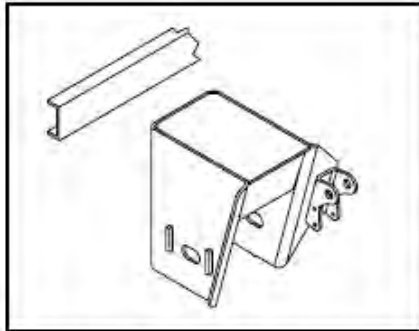
SUSPENSION PARTS CATALOG

Hendrickson AAL Suspension Parts List

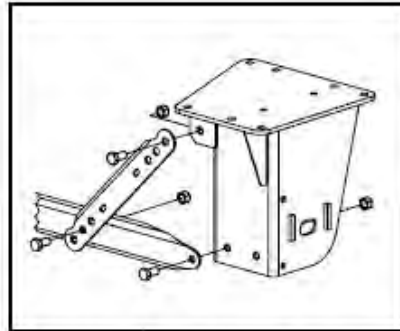
NO.	Part Number	Description	QTY Per Susp.	Notes
1.	Call East	Hendrickson Axle beam Assembly	1	Special Order Item
2a.	517-15906-20	Hanger Assy, 23K-30K 6.5" RH, Driver	1	
	517-15907-20	Hanger Assy, 23K-30K 6.5" RH, Pass.	1	
2b.	517-15904-20	Hanger Assy, 23K-30K 14"-15" RH, Driver	1	
	517-15905-20	Hanger Assy, 23K-30K 14"-15" RH, Pass.	1	
2c.	517-15900-20	Hanger Assy, 23K-30K 16"-17" RH Driver	1	
	517-15901-20	Hanger Assy, 23K-30K 16"-17" RH Pass.	1	
2d.	517-15902-20	Hanger Assy, 23K-30K 18"-19" RH Driver	1	
	517-15903-20	Hanger Assy, 23K-30K 18"-19" RH Pass.	1	
5.	517-15008-20	K-Bracing Kit 96" Wide Units (Items 6-8)	1	
	517-15003-20	K-Bracing Kit 102" Wide Units (Items 6-8)	1	
9.	554-05014-00	Weld/On C Channel 102" Wide Unit	1	
.	554-05014-01	Weld/On C Channel 96" Wide Units	1	
10.	518-05026-20	Air Spring AAL23K, 6.5" Ride Height	2	
	518-05027-20	Air Spring AAL25K, 6.5" Ride height	2	
	518-05614-20	Air Spring AAL 23K 12"-19" Ride Height	2	
	518-05025-20	Air Spring AAL 25K 12"-19" Ride Height	2	
	518-05023-20	Air Spring AAL 30K 12"-19" Ride Height	2	
11.	517-05390-20	Air Spring Mounting Plate (Bolt On)	2	
		Air Spring Mounting Plate (Weld On)	2	
12.	517-05813-20	Flex Plate Top of Bag	2	
13.	517-15128-20	3/4" Air Spring Spacer 14" RH	2	
	517-15125-20	1-1/8" Spring Spacer 15" RH	2	
	517-15126-20	1-7/8" Spring Spacer 16" RH	2	
	517-05077-20	Spring Spacer Bolt on 19" RH	2	
14.	517-15193-20	6.5"-12" RH Air Bag Mount Kit	2	
	517-15190-20	14" RH Air Bag Mount Kit	2	
	517-15191-20	15" RH Air Bag Mount Kit	2	
	517-15192-20	16" RH Air bag Mount Kit	2	
	517-15193-20	17"-19" RH Air Bag mount Kit	2	

SUSPENSION PARTS CATALOG

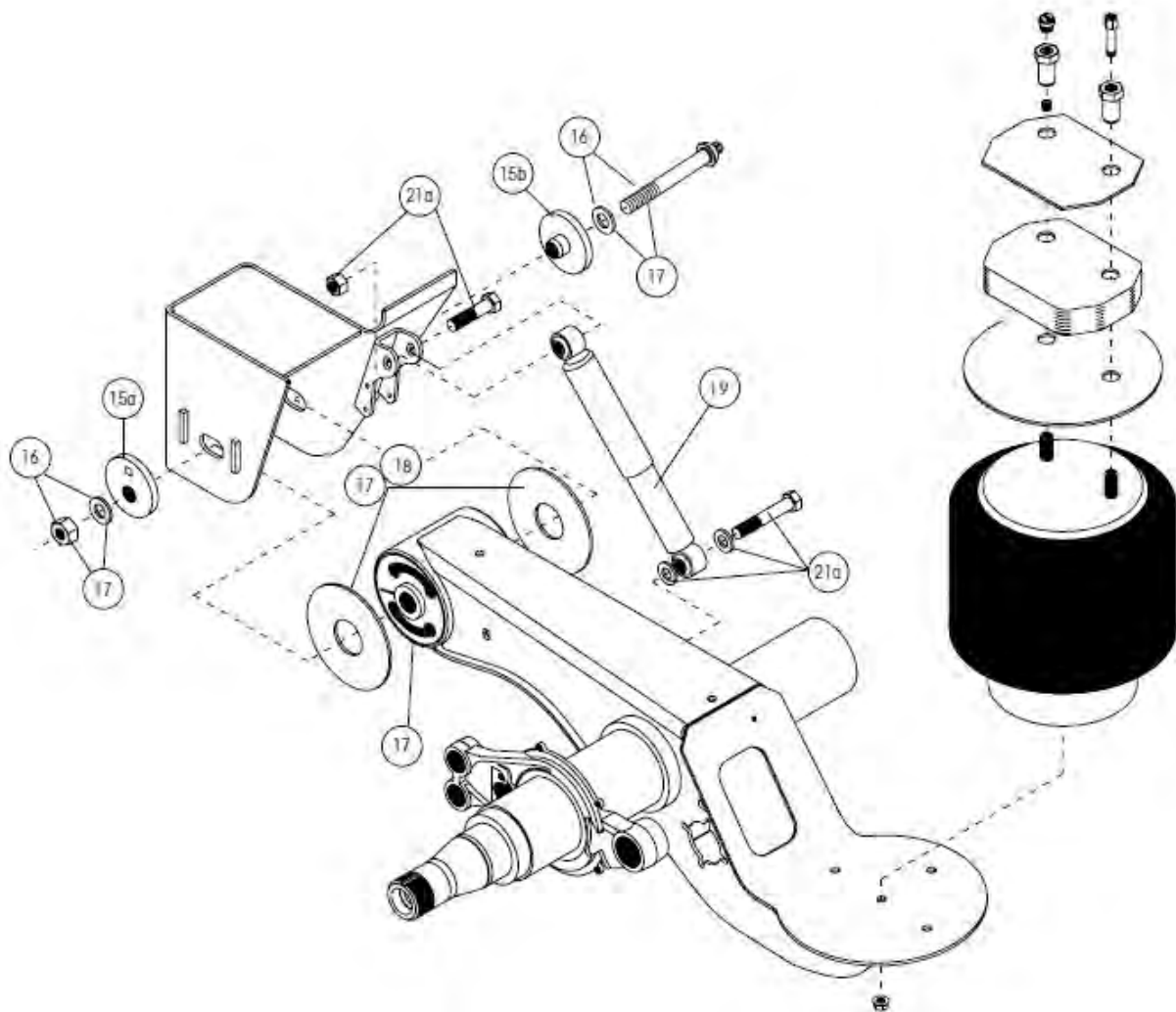
Hendrickson AAL Suspension Parts List



Wingless, weld-on frame bracket with QUIK-ALIGN[®]



Wingless, bolt-on frame bracket with QUIK-ALIGN[®]





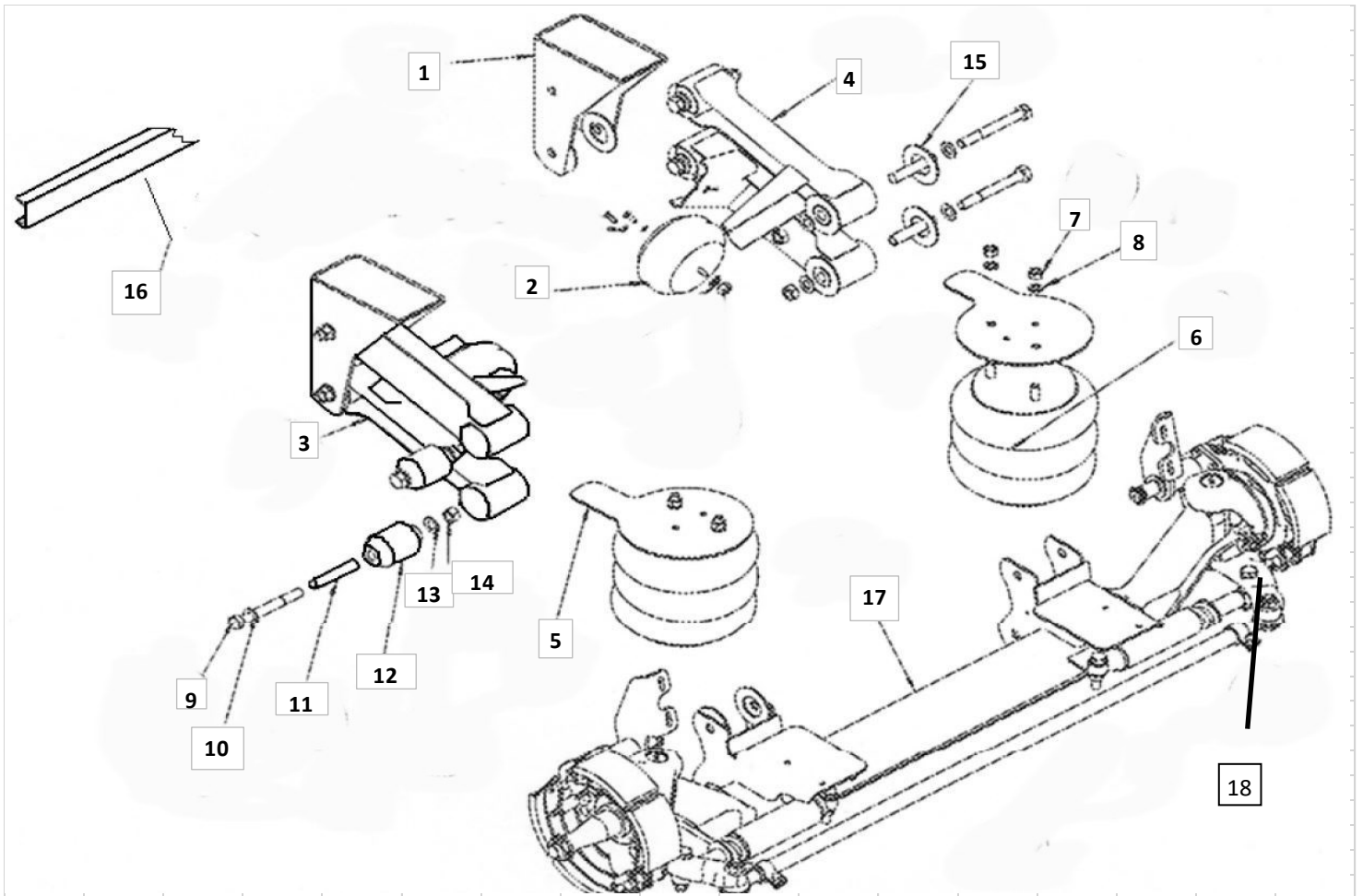
SUSPENSION PARTS CATALOG

Hendrickson AAL Suspension Parts List

<u>NO.</u>	<u>Part Number</u>	<u>Description</u>	<u>QTY Per Susp.</u>	<u>Notes</u>
15a.	517-05020-20	Eccentric Align Collar	2	
15b.	517-05021-20	Concentric Align Collar	2	
16.	517-05679-20	Quick Align Pivot Bolt Kit	2	See Page 39
17.	517-15822-20	Tri Functional Bushing Kit	2	See Page 39
18.	517-05206-20	Bushing Tube Spacer	4	
19.	Front Mounted Shock Absorber			
	517-05216-20	6.5" -9" Ride Heights Ext Service	2	
	517-05808-20	12" Ride Height Ext. Service	2	
	517-05809-20	14"-19" Ride Heights Ext Service	2	
20.	Rear Mounted Shocks (Not Shown)			
	517-05346-20	6.0"-9" Ride Heights	2	
	517-25437-20	14"-17" Ride Heights	2	
21.	Non-Stock	Non LDA Axle Pre 2012 Shock Bolt kit	2	
	517-05580-20	LDA Axle After 2012 Shock Bolt Kit	2	
	Non Stock	Rear Mounted Shock Bolt Kit	2	

SUSPENSION PARTS CATALOG

HENDRICKSON HLN LIFT SUSPENSION





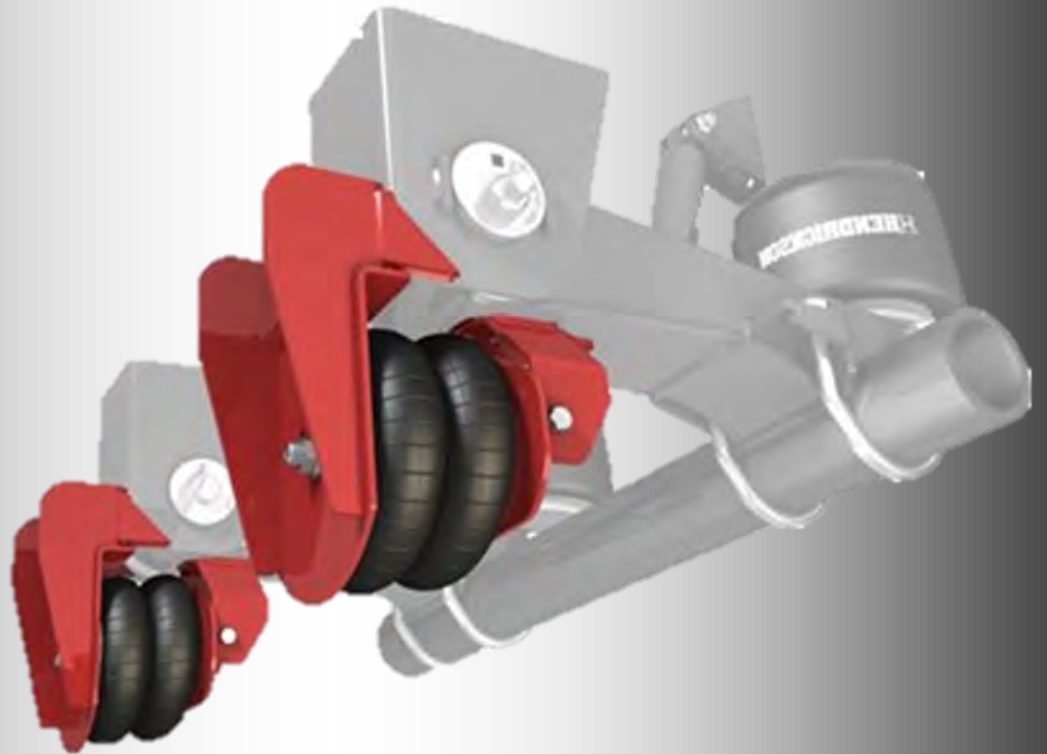
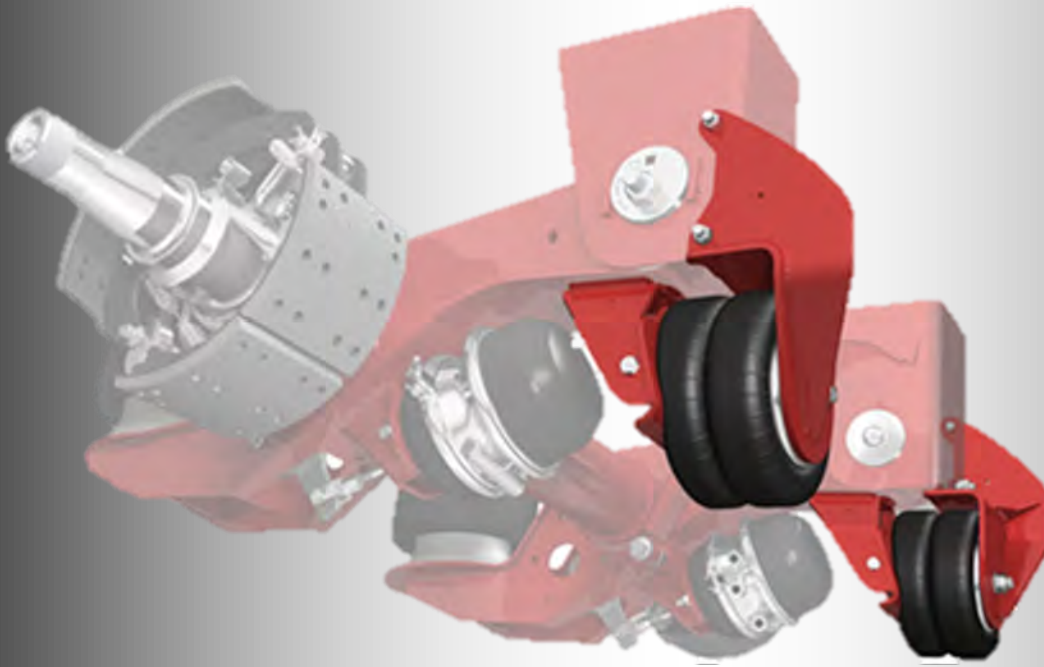
SUSPENSION PARTS CATALOG

HENDRICKSON HLN LIFT SUSPENSION PARTS

NO.	Item #	Description	Notes
1	517-05018-20	DRIV. SIDE HANGER 21" B/O	
	517-05019-20	PASS. SIDE HANGER 21" B/O	
2	518-05019-20	UP BAG (LIFT)	
3	517-05045-20	LOWER BEAM ASSEMBLY NON-STEER (TRIANGLE)	
	517-05043-20	LOWER BEAM ASSEMBLY STEERABLE (Z-STYLE)	
4	517-05044-20	UPPER BEAM ASSEMBLY NON-STEER (TRIANGLE)	
	517-05042-20	UPPER BEAM ASSEMBLY STEERABLE (Z-STYLE)	
5	517-05036-20	DRIVER BAG TOP PLATE	
	517-05037-20	PASSENGER BAG TOP PLATE	
6	518-05020-20	DOWN BAG (RIDE)	
7	540-01000-12	BAG MOUNTING NUT 3/4" X 16	
8	540-03000-12	BAG MOUNTING 3/4" LOCK WASHER	
	517-05237-20	Complete Bushing kit	
*9.	517-05239-20	7/8"-9 x7.5" Pivot Bolt	
*10/13	540-02000-14	7/8" Flat Washer	
*11.	517-05242-20	Bolt liner	
*12.	517-05241-20	Beam Bushing	
*14.	517-05243-20	Torque Nut	
*15.	517-05238-20	Nylon Wear Pad	
16	554-05014-00	3" Steel Cross Channel	
17	Call East MFG. For Assistance		
18	517-05046-20	Pivot King Pin Kit (Steerable)	
	* Included in Bushing Kit 517-05237-20		

SUSPENSION PARTS CATALOG

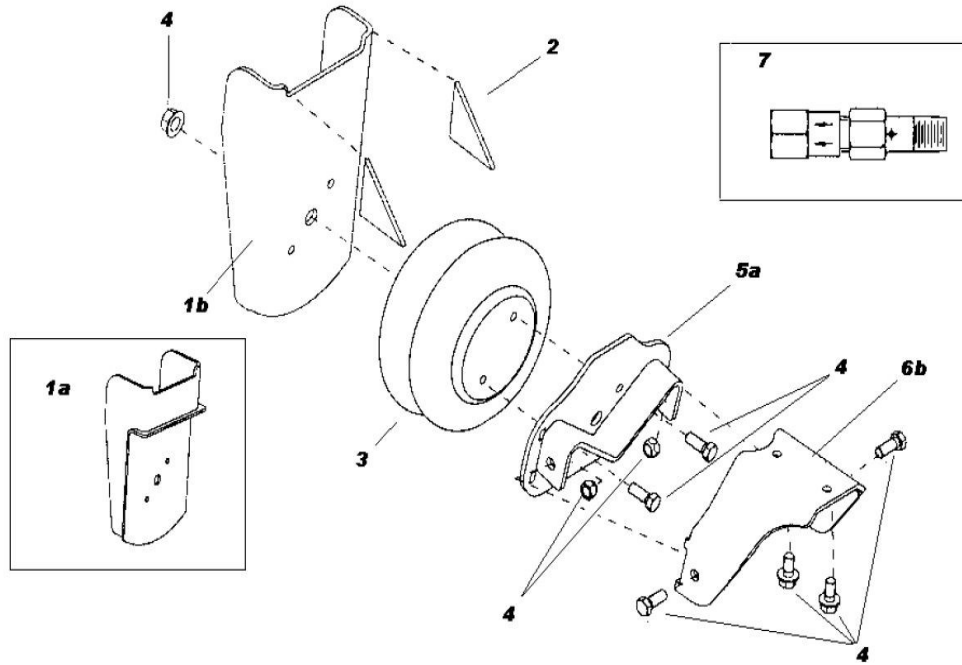
HENDRICKSON UBL Lift Kits (Under beam)



SUSPENSION PARTS CATALOG

HENDRICKSON UBL Lift Kits (Under beam)

HT Series, and Early Model Intraax Series (Pre 2016)

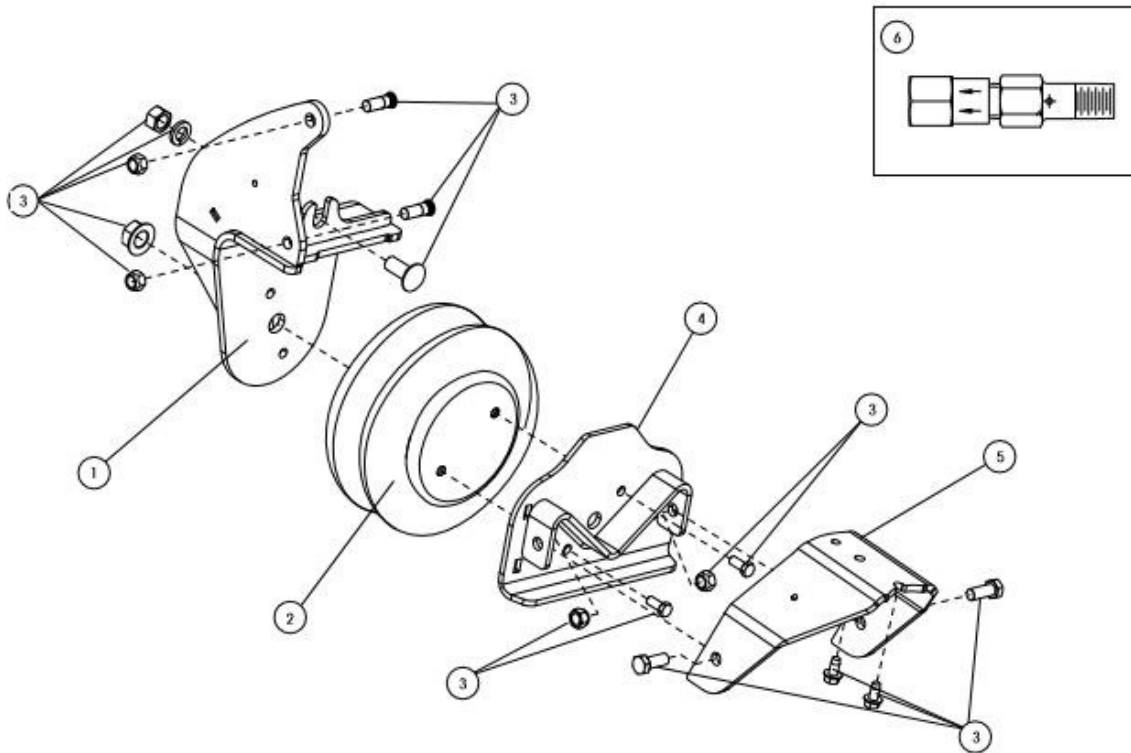


1a	517-15132-20	HT230, HT300, AAT Front Support Bracket UBL-001
1b	517-15131-20	HT250, AAL Front Support Bracket UBL-002, UBL-003
1c	Call For Assistance	AANT Driver Side Front Support Bracket UBL-004
1c	Call For Assistance	AANT Passenger Side Front Support Bracket UBL-004
2	517-15136-20	Gusset Support UBL-002, UBL-003
3	518-05024-20	UBL/SBL Lift Bag (All Models)
4	Call fFor Assistance	Hardware Bolt Kit
5a	517-15133-20	Lift Bag Support Plate All models Except AANT
5b	Call For Assistance	AANT Only Lift Bag Support Plate
6a	517-05299-20	Beam Mounting Bracket HT230, HT300, AAT UBL-001,
6b	517-15134-20	Beam Mounting Bracket HT250, HT300, AAL UBL-002, UBL-003
6c	Call For Assistance	Beam Mounting Bracket Roadside AANT UBL-004
6c	Call For Assistance	Beam Mounting Bracket Curbside AANT UBL-004
7	510-05214-20	AAL, HT250 Crossover Check Valve
	517-15121-20	HT230, HT300, AAT Weld On Kit
	517-15122-20	Ht250, AAL Weld On Kit
	517-15123-20	AANT Weld On Kit

SUSPENSION PARTS CATALOG

HENDRICKSON BOLT ON UBL Lift Kits (Under beam AFTER 2016)

AAT, AAL, AANT Series Suspension Kits (After 2016)



1a	517-05245-20	Front Air Bag Bracket AAT, AAL Primer UBL-101, UBL-201	
1b	Call For Assitance	Front Air Bag Bracket AAT, AAL Galvanized UBL-101, UBL-201	
1c	Call For Assitance	Front Air Bag Bracket AANT Primer UBL-401	
1d	Call For Assitance	Front Air bag bracket AANT Galvanized UBL-402	
2	518-05024-20	UBL/SBL Lift Bag	
3	Call For Assitance	Harware Bolt Kit	
4a	517-15133-20	Lift Bag Plate AAT, AAL Models	
4b	Call For Assitance	Ligft Bag Plate AANT Models Only	
5a	Call For Assitance	Lift Pivot Bracket AAT Only UBL-101	
5b	Call For Assitance	Lift Pivot Bracket AAL Only UBL-201	
5c	Call For Assitance	Lift Pivot Bracket AANT model Only UBL-401	
6	510-05214-20	Hendrickson Check Valve	



SUSPENSION PARTS CATALOG

HUTCH 900 –50K SINGLE POINT

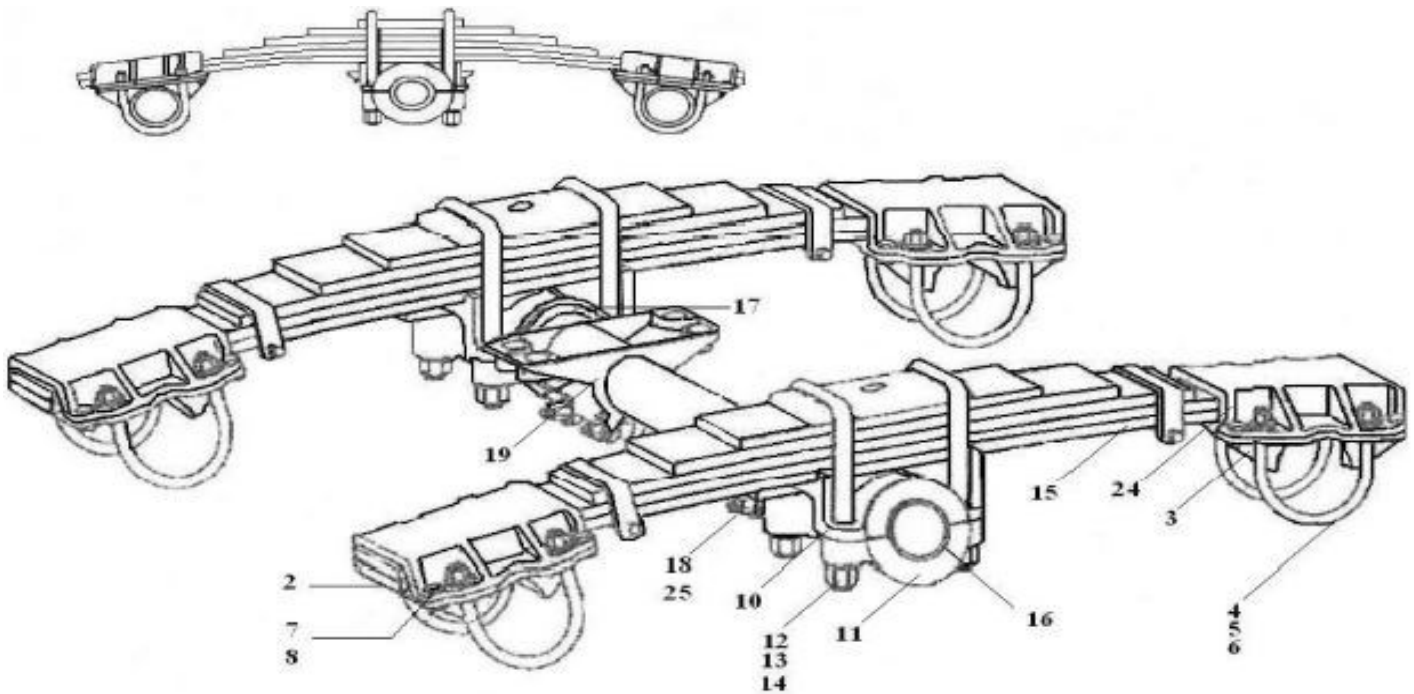


Hutchens Industries

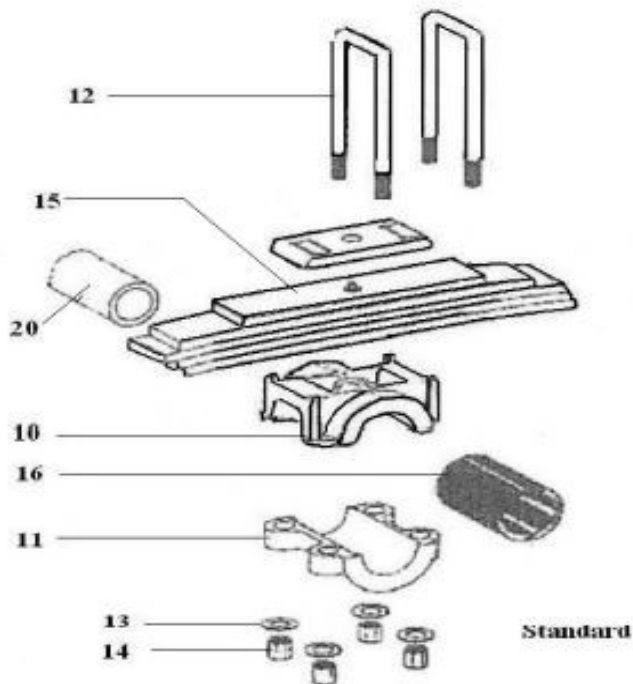


SUSPENSION PARTS CATALOG

HUTCH 900-50K SUSPENSION

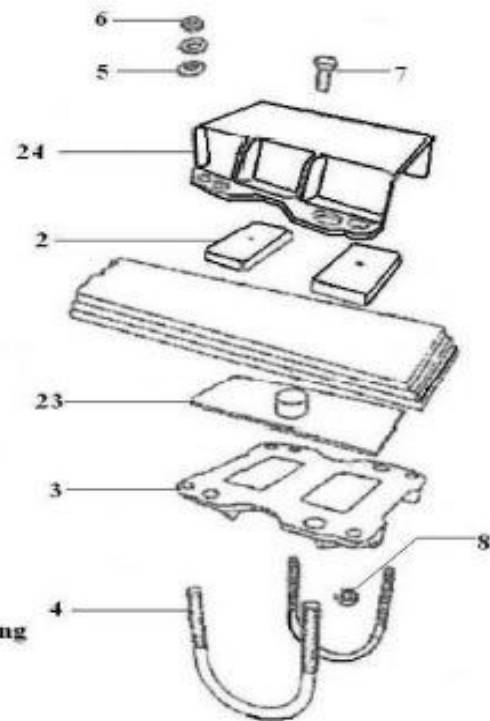


Trunnion Center Assembly



Standard

Spring End Assembly



Overstung



SUSPENSION PARTS CATALOG

HUTCH 900-50K SUSPENSION Parts List

NO.	Part#	Qty	Item	Notes
2	515-05005-08	8	Axle Pad (Rubber)	
3	515-05002-08	4	Spring Seat (5" Round Axle)	
	515-05003-08	4	Spring Seat (5" Square Axle)	
4	515-05006-08	8	Axle U-Bolt (5" Round Axle)	
	515-05007-08	8	Axle U-Bolt (5" Square Axle)	
5	540-11000-12	16	3/4" USS Hex Nut	
6	540-02000-12	32	3/4" Flat Washer	
7	540-14000-10	16	5/8" USS Lock Nut	
8	540-15020-10	16	5/8" x 2" USS Hex Head Bolt	
9	515-05008-08	2	Trunnion Cast Top Plate	
10	515-05009-08	2	Trunnion Hub Top Half	
11	515-05010-08	2	Trunnion Hub Lower Half	
12	515-05011-08	4	1-1/8" x 13-15/16" Trunnion U-Bolt 3 & 7 Leaf Spring	
	515-05012-08	4	1-1/8" x 15-1/2" Trunnion U-Bolt 9 leaf Spring	
13	515-05011-16	8	1-1/8" SEA Washer	
14	540-06000-17	8	1-1/8" SEA High Nut (Grade 8)	
15	516-25258-08	2	3 Leaf Spring Assembly	
	516-25999-08	2	7 Leaf Spring Assembly	
	516-25101-08	2	9 Leaf Spring Assembly	
16	515-05015-08	2	Rubber Trunnion Bushing	
17	515-05019-08	2	1/4" x 6" Spacer	
18	540-05045-12	4	3/4" x 4-1/2" SAE Hex Head Bolt	
19	515-05018-08	2	Trunnion Hanger 8-1/2" Height	
20	515-05016-08	1	3/4" Trunnion Tube	
23	515-05004-08	4	Alignment Plates	
24	515-05001-08	4	Spring End Cap	
25	540-01000-12	4	3/4" SAE Hex Nut	

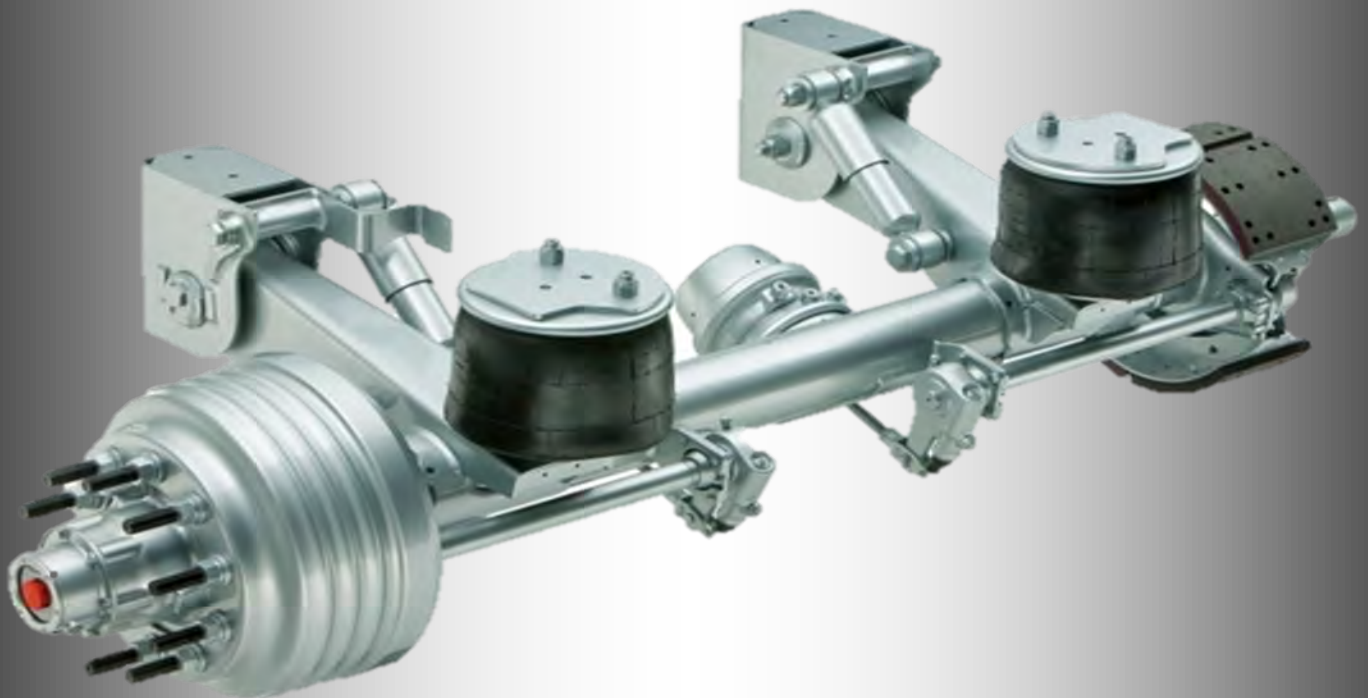


SUSPENSION PARTS CATALOG

MERITOR RFS 23T/ 25T SUSPENSIONS

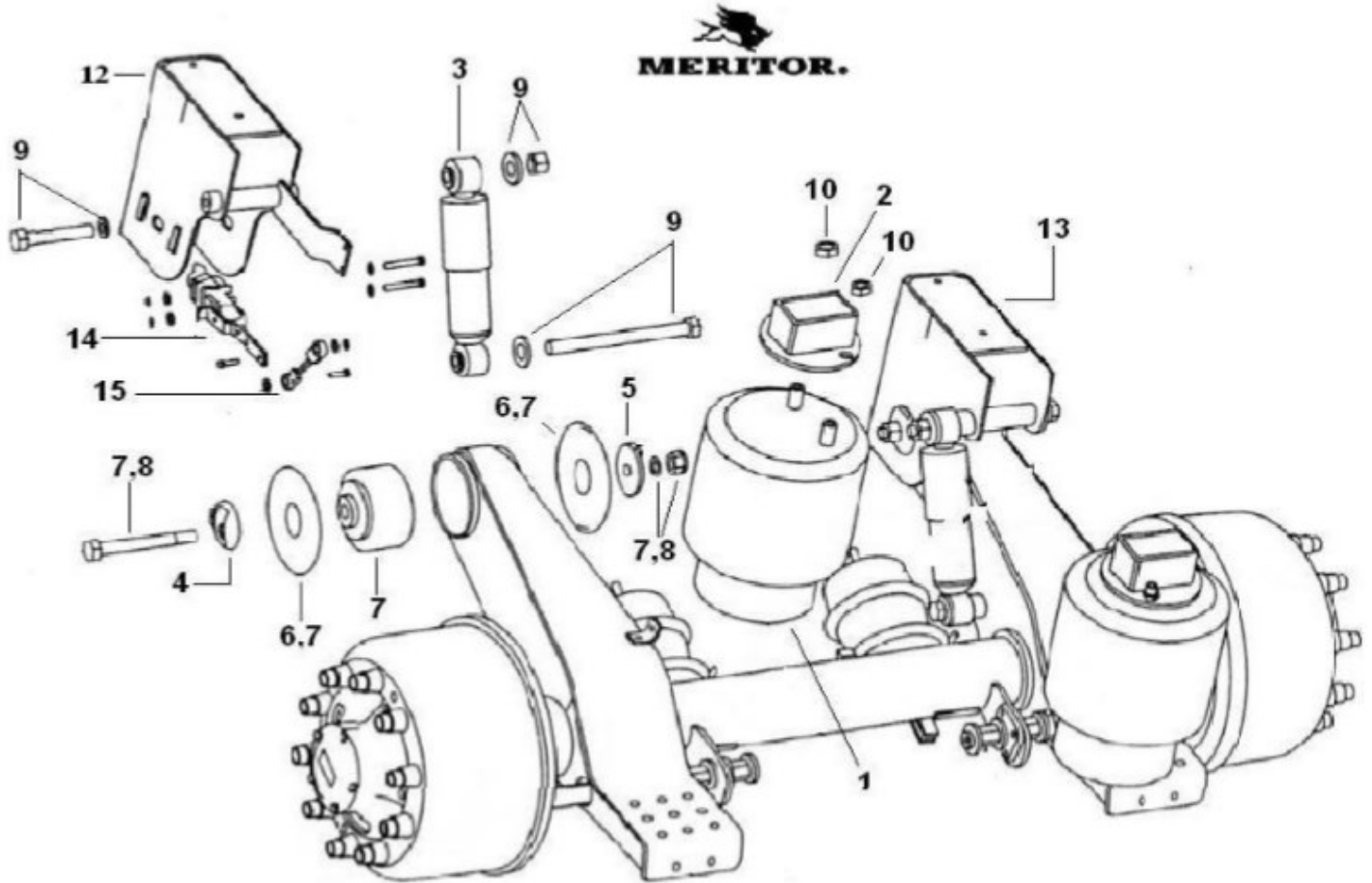


MERITOR

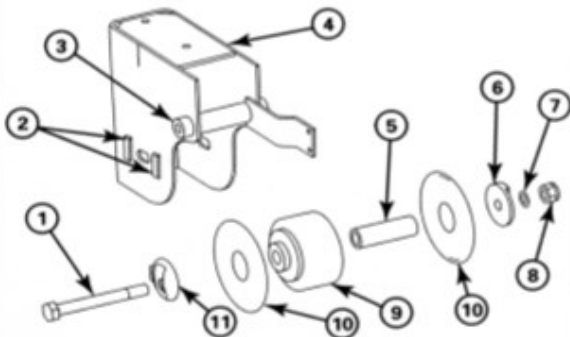


SUSPENSION PARTS CATALOG

MERITOR RFS 23T SUSPENSION



ITEM IDENTIFICATION ONLY FOR PIVOT & ALIGNMENT



- 1 7/8"-9 GRADE 8 PIVOT BOLT, LENGTH VARIES
- 2 ALIGNMENT BLOCKS
- 3 SHOCK MOUNTING TUBE
- 4 ROADSIDE HANGER ASSEMBLY
- 5 BUSHING INSERT
- 6 CONCENTRIC ALIGNMENT COLLAR
- 7 7/8" FLAT WASHER
- 8 7/8"-9 GRADE C LOCK NUT
- 9 MULTI-FUNCTIONAL BUSHING
- 10 WEAR WASHER
- 11 ECCENTRIC ALIGNMENT COLLAR



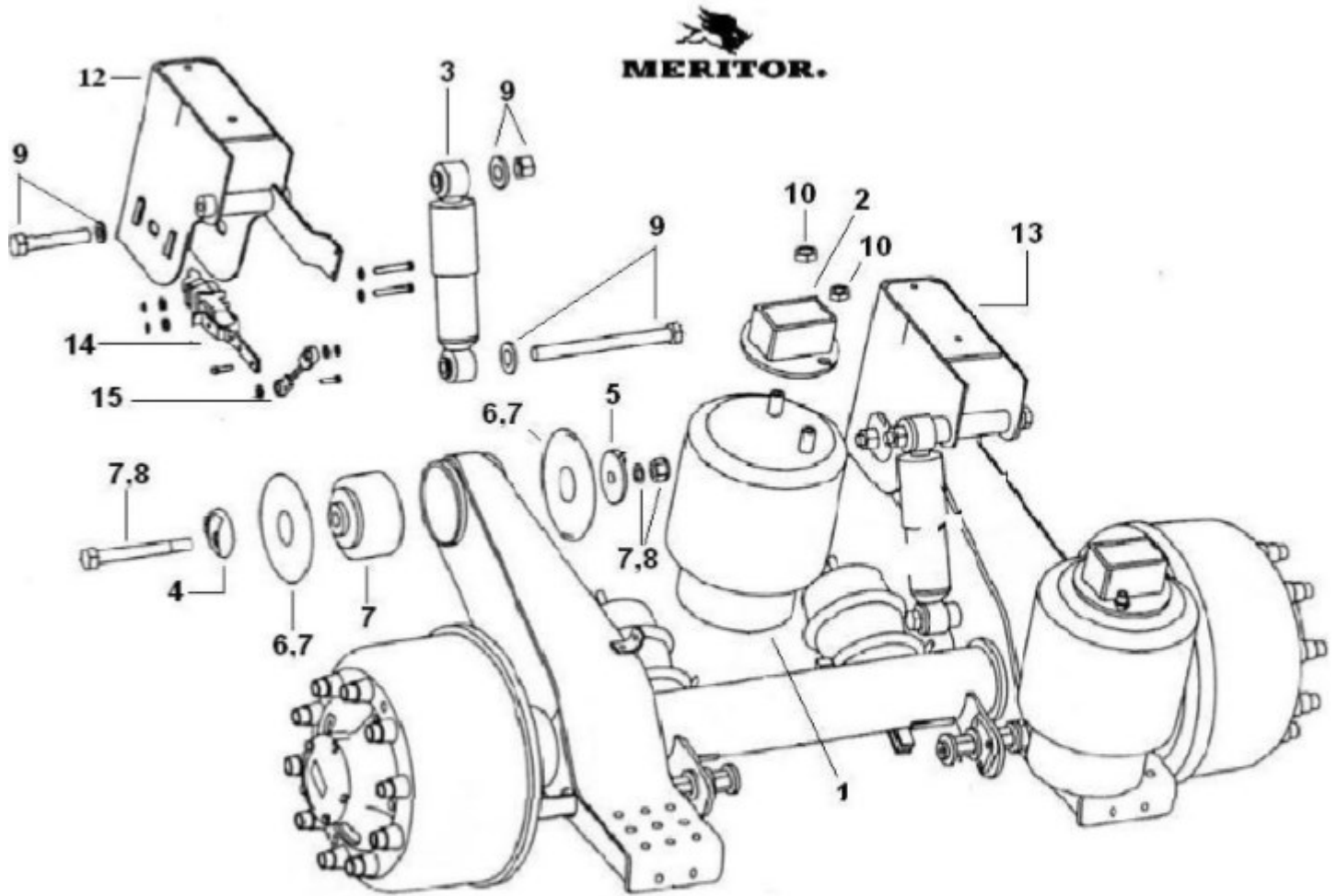
SUSPENSION PARTS CATALOG

MERITOR RFS 23T SUSPENSION PARTS LIST

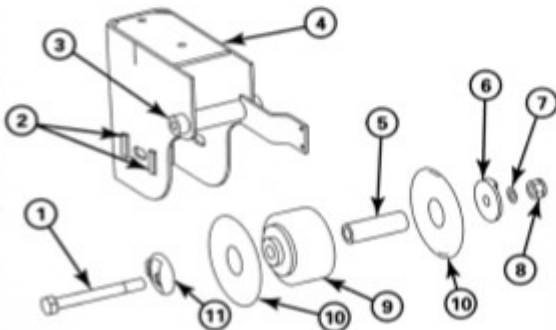
NO.	Part #	QTY	Item	Notes
			Axle/Beam Assembly is Obsolete.	
1	518-05001-18	2	RFS 230 Air Spring	
2	517-05007-18	2	14" Ride Height Pedestal Aftermarket	
	517-05002-18	2	16" Ride height Pedestal	
3	517-05001-18	2	Shock Absorber 14"-16" Ride Height	
4	517-05003-18	2	Eccentric Alignment Collar	
5	517-05004-18	2	Concentric Alignment Collar	
6	517-05005-18	4	Nylon Wear Washer	
7	517-05006-18	2	Pivot Bushing Kit W/ Pivot Bolt Kit	
8	517-05013-18	2	Alignment Pivot Bolt Kit	
9	517-05011-18	2	Shock Bolt Kit	
10	517-05012-18	2	Air Spring Bolt Kit	
12	517-15723-18	1	14" Ride Height Bolt On Hanger Roadside/LH	
	517-15727-18	1	15" Ride height Bolt On Hanger Roadside/LH	
	517-15725-18	1	16" Ride height Bolt On Hanger Roadside/LH	
	517-15729-18	1	17" Ride height Bolt On Hanger Roadside/LH	
13	517-15724-18	1	14" Ride height Bolt On Hanger Curbside/RH	
	517-15728-18	1	15" Ride height Bolt On Hanger Curbside/RH	
	517-15726-18	1	16" Ride height Bolt On Hanger Curbside/RH	
	517-15730-18	1	17" Ride height Bolt On Hanger Curbside/ RH (OBSOLETE)	
14	510-15001-18	1	Suspension Height Control Valve W/Auto Dump	
	510-25007-14	1	Suspension Height Control Valve (Haldex)	
15	510-15188-14	1	Height Control Valve Linkage Arm Assembly	

SUSPENSION PARTS CATALOG

MERITOR RFS 25T SUSPENSION



ITEM IDENTIFICATION ONLY FOR PIVOT & ALIGNMENT



- 1 7/8"-9 GRADE 8 PIVOT BOLT, LENGTH VARIES
- 2 ALIGNMENT BLOCKS
- 3 SHOCK MOUNTING TUBE
- 4 ROADSIDE HANGER ASSEMBLY
- 5 BUSHING INSERT
- 6 CONCENTRIC ALIGNMENT COLLAR
- 7 7/8" FLAT WASHER
- 8 7/8"-9 GRADE C LOCK NUT
- 9 MULTI-FUNCTIONAL BUSHING
- 10 WEAR WASHER
- 11 ECCENTRIC ALIGNMENT COLLAR



SUSPENSION PARTS CATALOG

MERITOR RFS 25T SUSPENSION PARTS LIST

NO.	Part #	QTY	Item	Notes
Axle/Beam Assembly is Obsolete				
1	518-05002-18	2	RFS 250 Air Spring (Firestone-6258)	
2	517-05007-18	2	14" Ride Height Pedestal (OBSOLETE) No Replacement Avail.	
	517-05002-18	2	16" Ride height Pedestal	
3	517-05001-18	2	Shock Absorber 15"-17" Ride Height	
4	517-05003-18	2	Eccentric Alignment Collar	
5	517-05004-18	2	Concentric Alignment Collar	
6	517-05005-18	4	Nylon Wear Washer	
7	517-05008-18	2	Pivot Bushing Kit W/ Pivot Bolt Kit	
8	517-05014-18	2	Alignment Pivot Bolt Kit	
9	517-05011-18	2	Shock Bolt Kit	
10	517-05012-18	2	Air Spring Bolt Kit	
12	517-15623-18	1	14" Ride Height Bolt On Hanger Roadside/LH	
	517-15627-18	1	15" Ride height Bolt On Hanger Roadside/LH	
	517-15625-18	1	16" Ride height Bolt On Hanger Roadside/LH	
	517-15629-18	1	17" Ride height Bolt On Hanger Roadside/LH	
13	517-15624-18	1	14" Ride height Bolt On Hanger Curbside/RH	
	517-15628-18	1	15" Ride height Bolt On Hanger Curbside/RH	OBSOLETE
	517-15626-18	1	16" Ride height Bolt On Hanger Curbside/RH	
	517-15630-18	1	17" Ride height Bolt On Hanger Curbside/ RH	
14	510-15001-18	1	Suspension Height Control Valve W/Auto Dump	
	510-25007-14	1	Suspension Height Control Valve (Haldex)	
15	510-15188-14	1	Height Control Valve Linkage Arm Assembly	

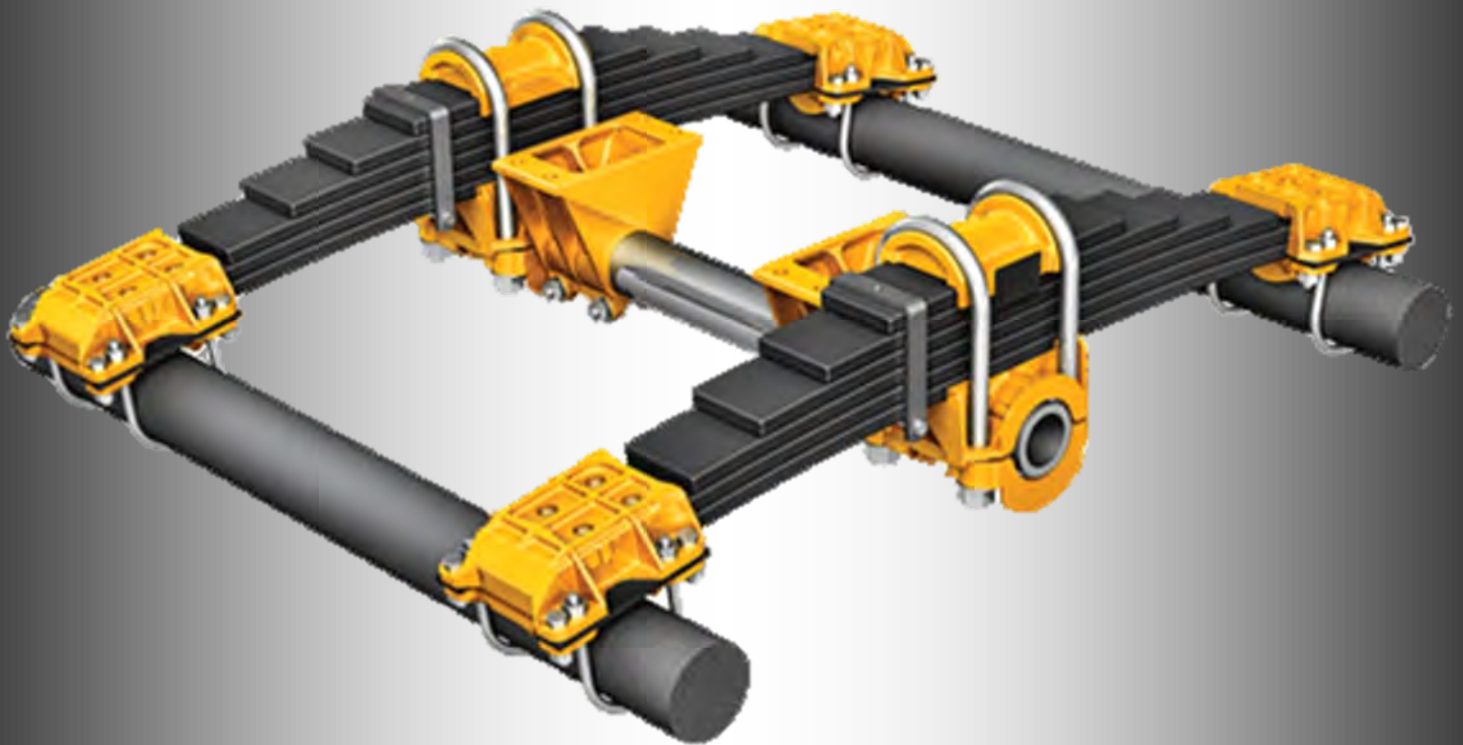


SUSPENSION PARTS CATALOG

NEWAY TS-4440, 5500, 5600 SERIES

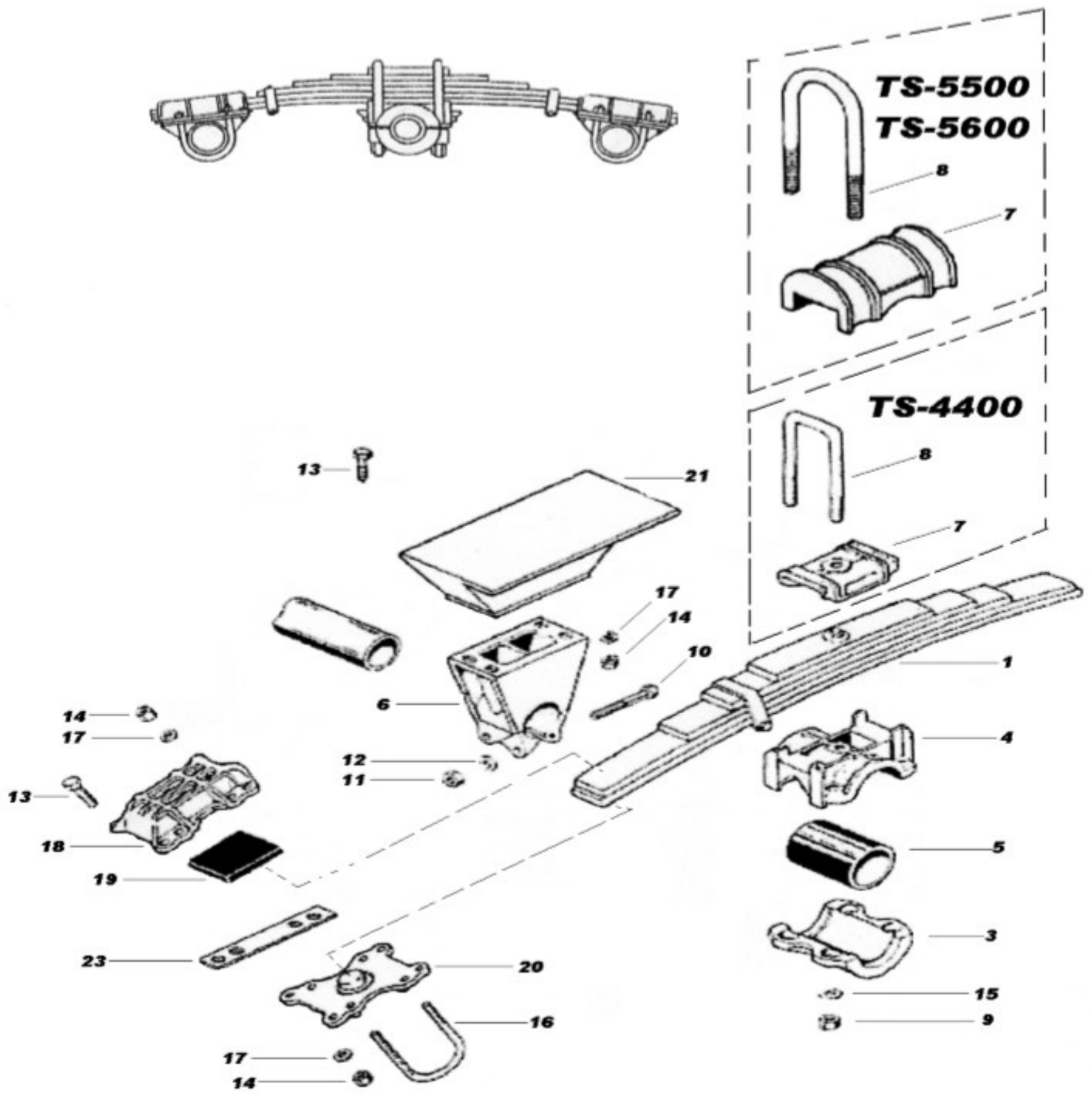
NEWAY

SAF-HOLLAND Group



SUSPENSION PARTS CATALOG

NEWAY TS-4440, 5500, 5600 SERIES





SUSPENSION PARTS CATALOG

NEWAY TS-4440, 5500, 5600 SERIES Parts List

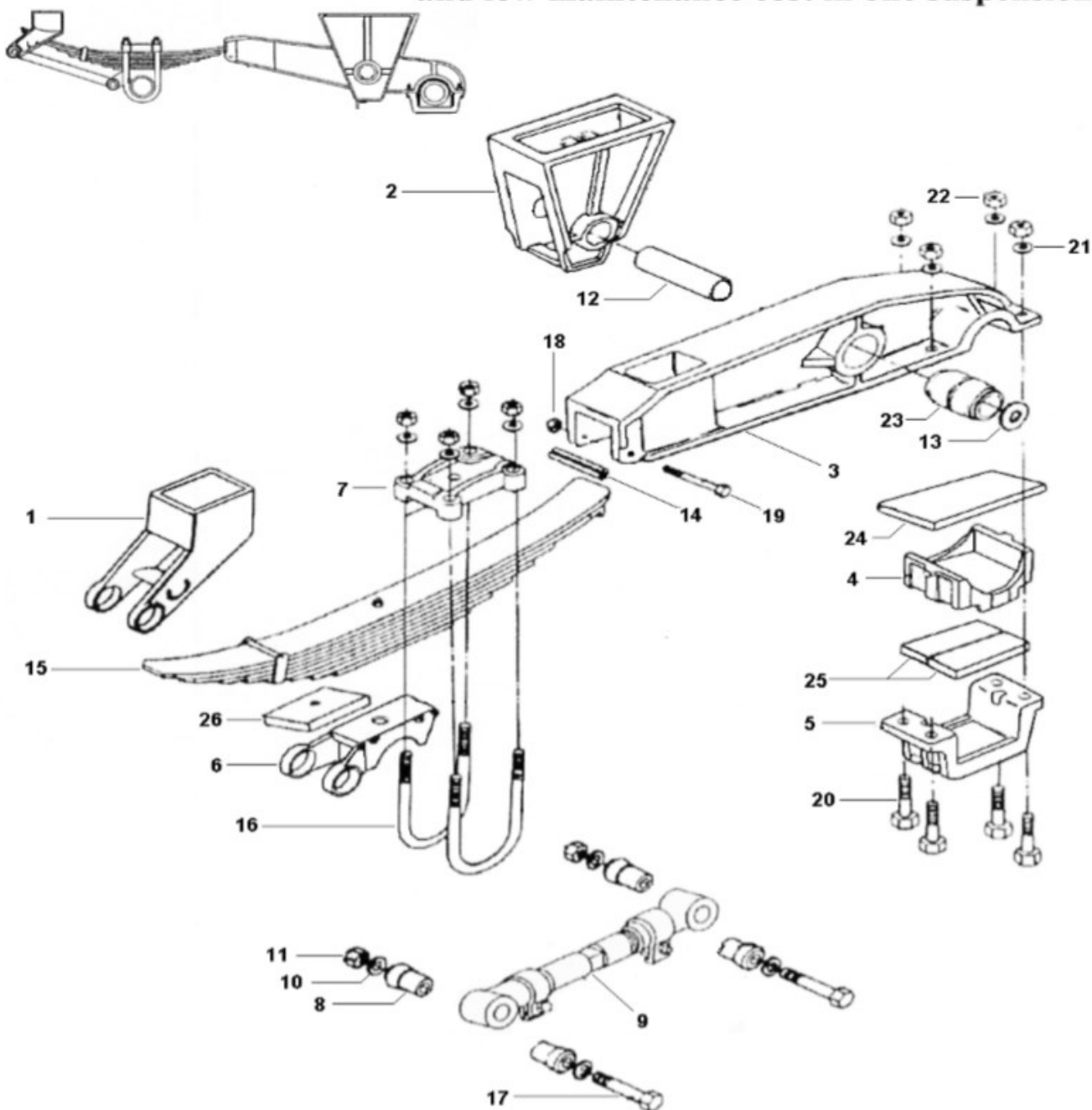
NO.	Part #	QTY.	Item	Notes
1	516-15272-14	2	5"Wide, 5 Leaf Main Spring (TS-4400)	
	516-15273-14	2	5" wide, 5 Leaf Main Spring (TS-5500)	
	516-15277-14	2	5"Wide, 7 Leaf Main Spring (TS-5600)	
2	515-05027-14	1	4"OD X 1/2" Wall Trunnion Tube	
3	515-05028-14	2	Trunnion Hub Lower Half	
4	515-05029-14	2	Trunnion Hub Upper Half	
5	515-05030-14	2	Trunnion Rubber Bushing	
6	515-05031-14	2	Trunnion Clamp Casting	
7	515-05046-14	2	Top Spring Plate (TS-4400) Square	
		2	Top Spring Plate (Ts-5500, TS-5600) Round	
8	515-05048-14	4	1-1/8" x 11" U-Bolt (TS-4400)	
	515-05033-14	4	1-1/8" x 14" U-Bolt (TS-5500, TS-5600)	
9	515-05035-14	8	1-1/8" Hex Lock Nut	
10	540-05045-12	4	3/4" x 4-1/2" Hex Head Bolt	
11	540-14000-12	4	3/4" USS Hex Lock Nut	
12	540-12000-12	4	3/4" USS Flat Washer	
13	540-15025-10	16	5/8" x 2-1/2" USS Hex Head Bolt	
14	540-14000-10	40	5/8" USS Hex Lock Nut	
15	515-05011-16	8	1-1/8" Flat Washer	
16	515-05036-14	8	5/8" x 7-1/2" Axle U-Bolt	
17	540-12000-10	40	5/8" USS Flat Washer	
18	515-05053-14	4	Spring End Cap	
19	515-05039-14	4	Spring End Cap Rubber Pad	
20	515-05062-14	4	Axle Locator Plate TS	
21	515-05041-14	2	Frame Bracket Mount	
23	515-05054-14	8	Spacer Plate	
			Suspension Kits Without Axle Assemblies	
	515-25444-14	1	TS-4400 Round Axle Suspension Kit	
	515-25550-14	1	TS-5500 Round Axle Suspension Kit	
	515-25560-14	1	TS-5600 Round Axle Suspension Kit	

SUSPENSION PARTS CATALOG

EAST—RHC 50K DUMP SUSPENSION

RHC DUMP SUSPENSION

Designed uniquely for dump suspensions.
Combines outstanding dumping stability
and low maintenance cost in one suspension.





SUSPENSION PARTS CATALOG

EAST—RHC 50K DUMP SUSPENION PARTS LIST

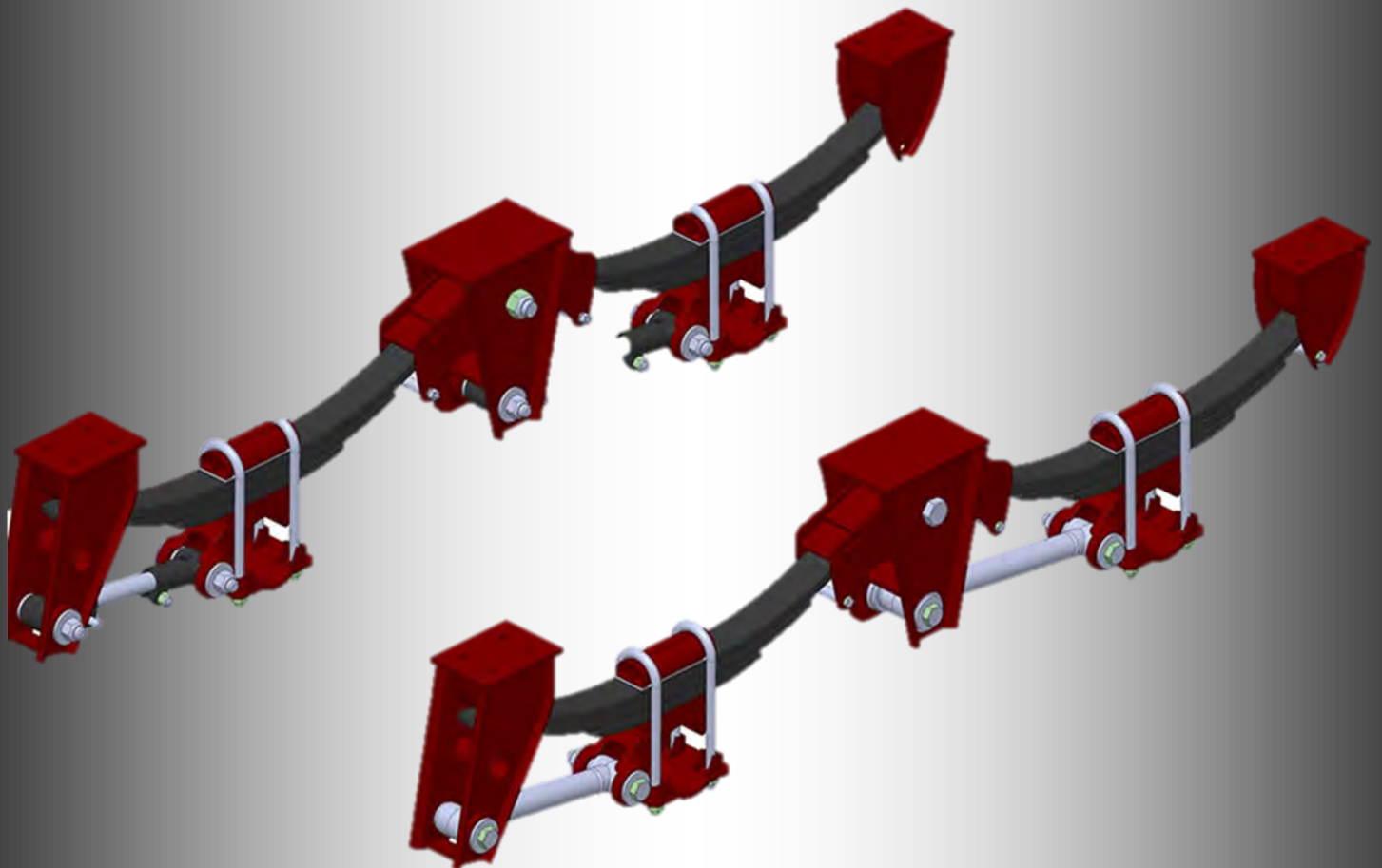
NO.	Part #	QTY	Item #	Notes
1	515-05101-05	2	Front Spring Hanger	
2	515-15633-05	2	Trunnion Hanger Finished	
3	515-15129-05	2	Equalizing Beam (With Installed Bushing)	
4	515-05655-05	2	Axle Adapter 5' round Axle (Obsolete)	
5	515-05666-05	2	Rear Axle Connection Cap	
6	515-15677-05	2	Axle Spring Seat Adapter	
7	515-05688-05	2	Spring Top Plate	
8	515-05515-05	8	Torque Arm Bushing (Kit 515-15494-05)	
9	515-15110-05	2	Adjustable Torque Arm	
10	515-05305-05	8	Compression Washer (Kit 515-15494-05)	
11	540-14000-16	8	Torque Arm Lock Nut (Kit 515-15494-05)	
12	515-05766-05	2	Trunnion Beam Shaft (Kit 515-15492-05)	
13	545-05015-00	4	Weld On Retainer Washer 3/8" (Kit 515-15492-05)	
14	515-05777-06	2	Spring Roller Pipe	
15	516-25092-04	2	9 Leaf Main Spring	
16	515-15035-05	4	Axle U-Bolts With Hardware	
17	540-15065-16	4	Grade 8 Connection Bolt (Kit 515-15494-05)	
18	540-04000-08	2	Spring Roller Lock Nut	
19	540-05055-08	2	Spring Roller Bolt	
20	540-14000-12	8	Axle Connection Bolt (Kit 515-15491-05)	
21	515-05209-05	8	Axle Connection Washer (Kit 515-15491-05)	
22	515-05208-05	8	Axle Connection Lock Nut (Kit 515-15491-05)	
23	515-05500-05	2	Trunnion Beam bushing (Kit 515-15492-05)	
24	515-05505-05	2	Axle Wrap Pad (Kit 515-15491-05)	
25	515-05510-05	4	Axle Cap Rubber Pad (Kit 515-15491-05)	
26	515-05690-05	2	1-1/4" Axle Spacer (Obsolete)	
	515-15493-05		Complete Re-bushing Kit (Includes Kit # 515-15492-05, 515-15494-05, and 515-15491-05) Listed Above	



SUSPENSION PARTS CATALOG

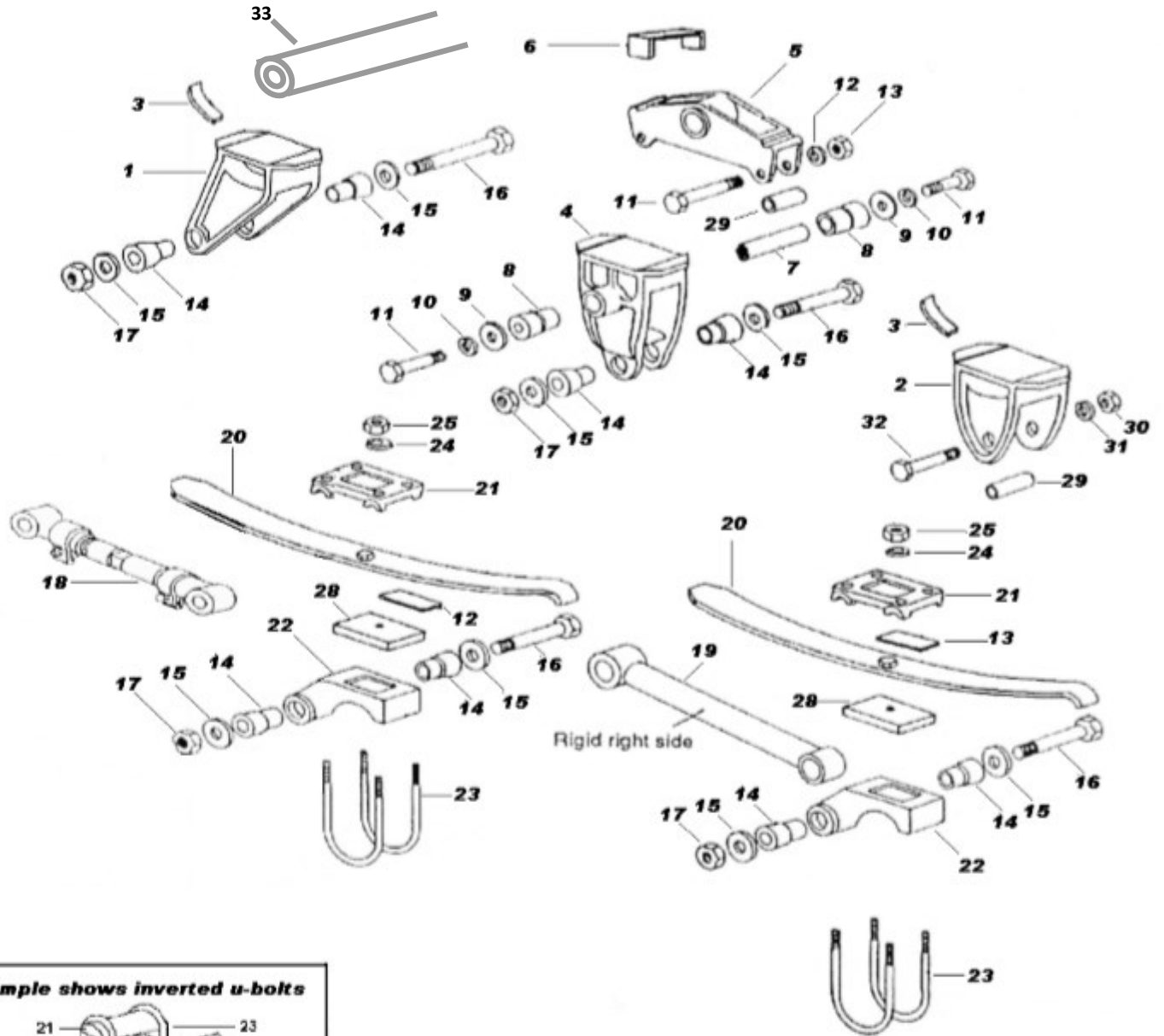
REYCO/GRANNING 21B SPRING RIDE

Reyco.
Granning

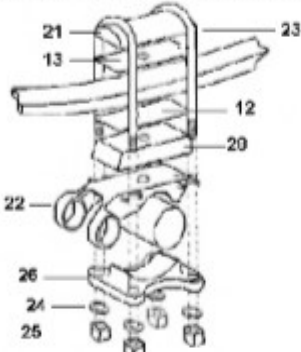


SUSPENSION PARTS CATALOG

REYCO/GRANNING 21B SPRING RIDE



Example shows inverted u-bolts





SUSPENSION PARTS CATALOG

REYCO/GRANNING 21B SPRING RIDE PARTS LIST

NO.	Part#	QTY	Item	Notes
1	515-05000-18	1	Front Hanger Passenger (2002 and Prior)	
	515-05001-18	1	Front Hanger Driver (2002 and Prior)	
1a	515-05100-18	2	Front Hanger Universal (After 2002-Current)	
2	515-05002-18	1	Rear Hanger Passenger (2002 and Prior)	
	515-05003-18	1	Rear Hanger Driver (2002 and Prior)	
2a	515-05101-18	2	Rear Hanger Universal (2002-Current)	
3	030-10018-00	4	Spring Hanger Wear Pad	
4	515-05004-18	2	Center Spring Hanger	
5	515-05005-18	2	Spring Hanger Equalizer	
6	030-10019-00	4	Equalizer Reinforcement Caps	
	<u>515-15506-18</u>		<u>Equalizer Bushing Kit</u>	
7	515-05025-18	2	Equalizer Shaft	
8	515-05024-18	4	Equalizer Bushing	
9	515-05022-18	4	Equalizer Compression Washer	
10	540-03000-12	4	3/4" Lock Washer	
11	515-05023-18	4	Equalizer Bolts	
12	516-05002-18	4	Stainless Wear Pad (Obsolete)	
13	516-05001-23	4	wear Pad With Holes (Obsolete)	
	<u>515-15319-18</u>		<u>Torque Arm Bushing Kit</u>	
14	515-05019-18	16	torque Arm Bushing	
15	515-05007-18	16	Torque Arm Compression Washer	
16	515-0502018	8	Torque Arm Bolt	
17	515-05021-18	8	Torque Arm Lock Nut	
18	515-05009-18	1	Short Adjustable Torque Arm (Front Left)	
	515-05010-18	1	Long Adjustable Torque Arm (Rear Left)	
19	515-05011-18	1	Short Ridged Torque Arm (Front Right)	
	515-05008-18	1	Long Ridged Torque Arm (Rear Right)	



SUSPENSION PARTS CATALOG

REYCO/GRANNING 21B SPRING RIDE PARTS LIST Cont.

NO.	Part#	QTY	Item	Notes
20	516-25303-23	4	Single Leaf HD Spring 49" Axle Spacing	
	516-05297-18	4	Single Leaf HD Spring 44" Axle Spacing	
	516-25564-18	4	3 Main 8 Leaf Multi Spring	
21	515-05026-18	4	Top Plate 5" U-Bolt Under Mount	
	515-05040-18	4	Top Plate inverted U-Bolt mount	
22	515-05032-18	4	3/4" Axle Seat (Multi Leaf Spring)	
	515-05033-18	4	3-1/4" Axle Seat (Single Leaf Spring)	
23	515-05035-18	4	17-1/2" x 5-1/4" x 7/8" U-Bolt Kit Undermount	
	515-05045-18	4	17-1/2" X 3" x 7/8" Inverted U-Bolt Kit (Multi Spring)	
	515-05114-18	4	14" X 3' X 3/4" Inverted U-Bolt (HD Single Leaf Spring)	
			All U-Bolt Kits include items 24 and 25	
26	515-05043-18	4	Bottom Plate Inverted U-Bolt 5" Round Axle	
28	515-05031-18	2	2-1/2" Axle Seat Spacer	
	515-05030-18	2	2" Axle Seat Spacer	
	515-05029-18	2	1-1/2" Axle Seat Spacer	
	515-05028-18	2	1" Axle Seat Spacer	
	515-05027-18	2	1/2" Axle Seat Spacer	
29	515-15911-18	3	Spring Roller Kit (Includes items 29-32)	
33	554-05083-00	1	Hanger Pipe 1-1/2" X 34" Center Hanger 96"W	
	554-05083-01	1	Hanger Pipe 1-1/2" X 40" Center Hanger 102"W	
	554-05083-02	2	Hanger Pipe 1-1/2" X 48-5/8" Front and Rear Hangers	

SUSPENSION PARTS CATALOG

REYCO 21B SPRING RIDE Mounting Plates

ALUMINUM FRAME MOUNTING PLATES



030-10013-01 (Used Prior to June 2007)

Front Mounting Plate

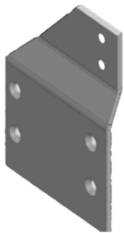
Previous Version RHC / Reyco Mounting Plate, 6 Main Mounting Holes 90 deg Corners.



030-10014-01 (Used Prior to June 2007)

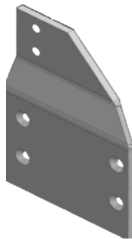
Center Mounting Plate

Previous Version RHC / Reyco Mounting Plate, 6 Main Mounting Holes, Notched Corners.



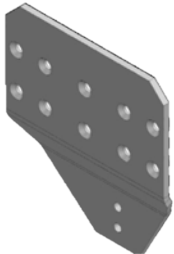
030-10015-01

D/S Rear Mounting Plate



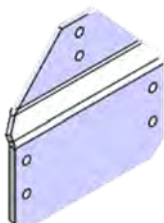
030-10016-01

P/S Rear Mounting Plate



030-10088-00 (Used June 2007 to Current())

Current OEM, Center and Front Mounting Plate, 10 Bolt Main Pattern.

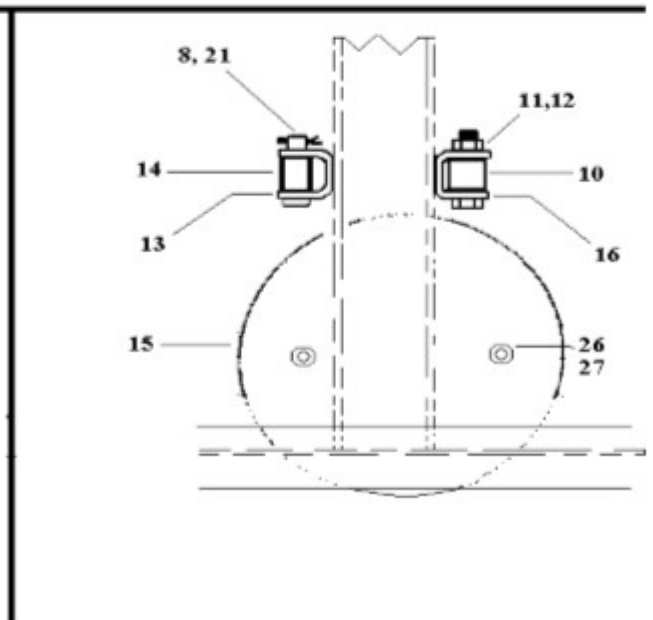
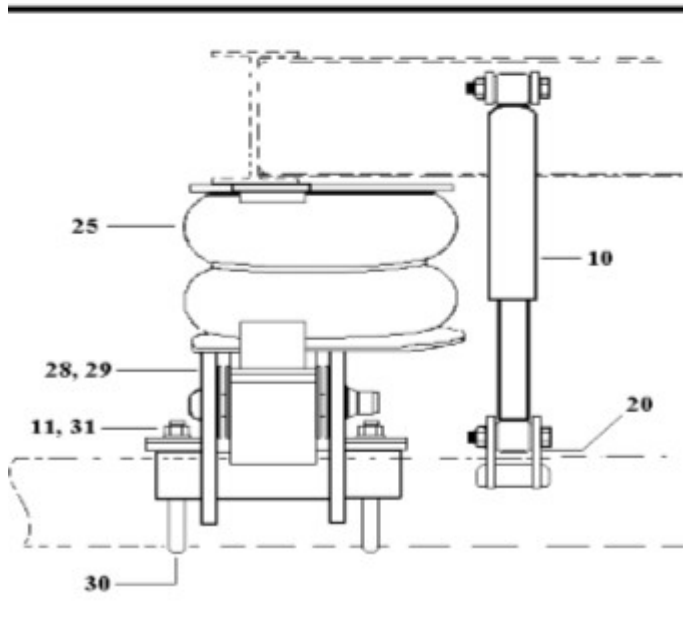
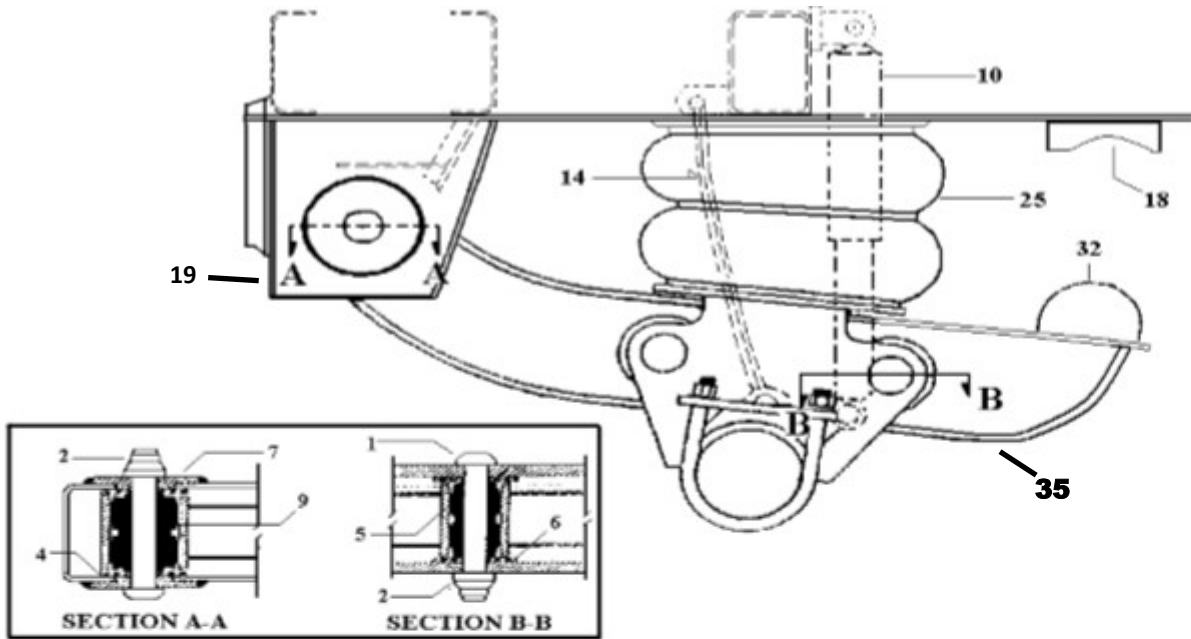


030-10250-00 (Used June 2007 to Current())

Current OEM, Reyco Center Plate 4 Bolt Main Pattern 1/2" Steel

SUSPENSION PARTS CATALOG

W&C TA-5000 Series Suspension





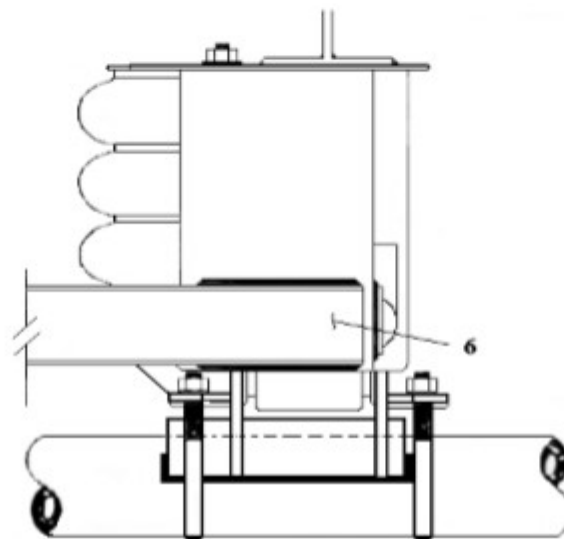
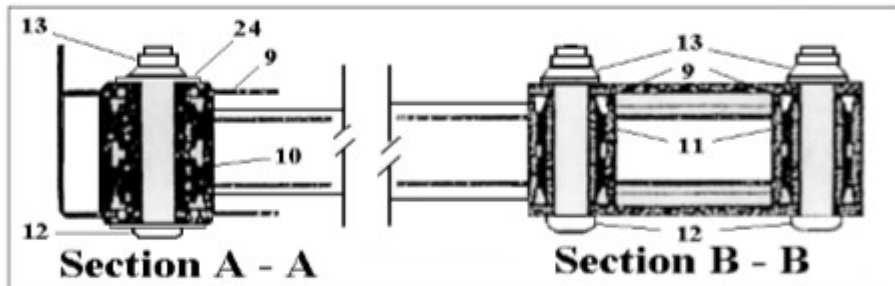
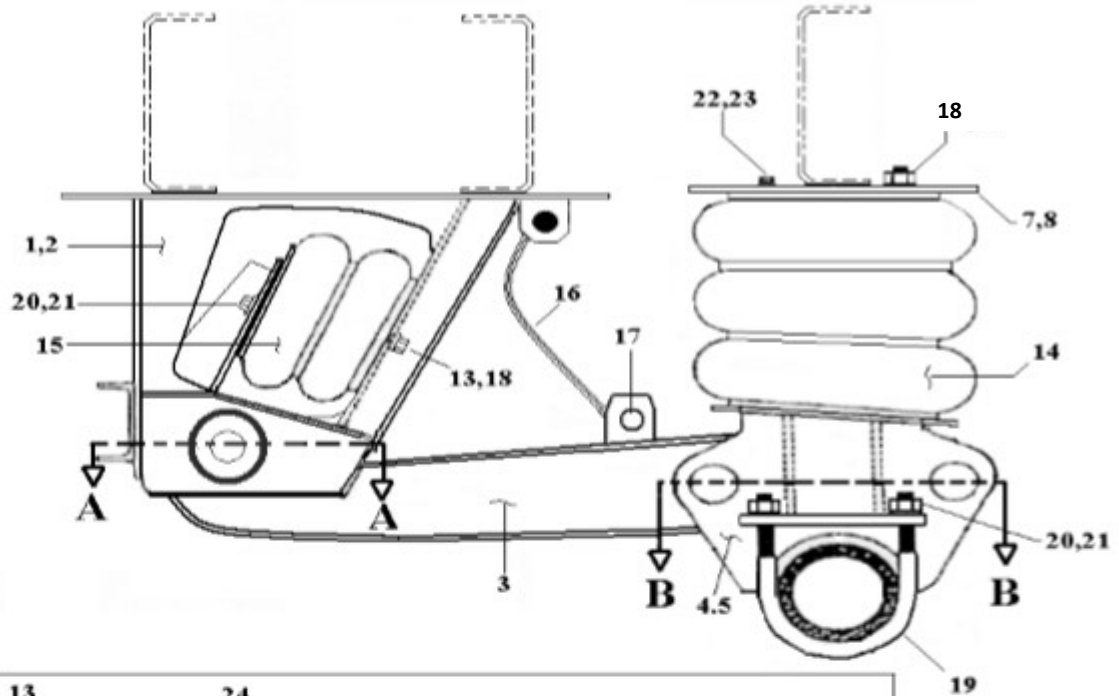
SUSPENSION PARTS CATALOG

W&C TA-5000 Series Suspension Parts List

NO.	Part#	QTY	Item	Vendor#
	Section A-A		Pivot Connection Items 1,2,4 and 9	
	517-05011-23	1	Pivot Connection Bushing Kit	
	Section B-B		Axle Connection Items 1,2,5, and 6	
	517-05010-23	1	Axle Connection Bushing Kit	
7	517-05505-23	4	Alignment Collars	
8	542-08532-17	4	.75 Cotter Pin	
10	517-05001-23	2	Shock Absorber	
11	540-01000-12	8	3/4"-16 SAE Grade 5 Hex Nut	
12	540-05035-12	4	3/4" X 3-1/2 SAE BOLT	
13	Call for Assistance	2	Upper Limiter Bracket (Shock)	
14	517-05511-23	2	Shock Limiter Strap	
15	517-05508-23	2	Air Spring Plate	
16	517-05510-23	2	Shock Absorber Clevis Bracket	
18	Call for Assistance	2	Upper Axle Stop Block	
19	Call for Assistance	2	Hanger Bracket Roadside / LH	
	Call for Assistance	1	Hanger Bracket Curbside / R.H	
20	Call for Assistance	2	Lower Shock Bracket	
21	Call for Assistance	2	Cotter Key	
22	Call for Assistance	2	Front Suspension Frame Bracket Gusset	
25	518-05002-23	2	Air Spring / Air Bag	
26	540-02000-08	12	1/2" Lock Washer	
27	540-11000-08	12	1/2" SAE Grade 5 Hex Nut	
28	517-05759-23	1	Axle Seat Assembly Roadside / L,H	
29	517-05760-23	1	Axle Seat Assembly Curbside / R.H	
30	517-05502-23	4	3/4" Axle U-Bolt Kit Items 30,31,and 11	
31	540-11000-08	8	3/4" High Nut	
32	517-05029-23	2	Half Round Arm Stop (Rear Axle Only)	
33	517-05018-23	1	Lead Suspension Beam Assy. Roadside / L.H	
	517-05019-23	1	Lead Suspension Beam Assy. Curbside / R.H	
35	517-05028-23	2	Rear Suspension Beam Assembly	

SUSPENSION PARTS CATALOG

W&C TL-9000 Series Suspension





SUSPENSION PARTS CATALOG

W & C TL-9000 Series Parts List

NO.	Part #	QTY.	Item#	Notes
	Section A-A		Pivot Connection	
	517-05016-23	1	Pivot Connection Bushing Kit	
				Includes Items-9, 10,12,and 13
	Section B-B		Axle Seat	
	517-05017-23	1	Axle Seat Bushing Kit	
				Includes Items 9, 11, 12 and 13
1	Call for Assistance	1	Roadside Hanger Assembly	
2	Call for Assistance	1	Curbside Hanger Assembly	
3	Call for Assistance	2	Trailing Arm Assemblies W/Bushing's	
4	Call for Assistance	1	Roadside Axle Seat Assembly	
5	Call for Assistance	1	Curbside Axle Seat Assembly	
6	Call for Assistance	1	Support Crossmember 39"L	
7	Call for Assistance	1	Upper Bag Plate Roadside / L.H.	
8	Call for Assistance	1	Upper Bag Plate Curbside / R.H.	
14	518-05003-23	2	Ride Air Spring / Air Bag	
15	518-05006-23	2	Lift Air Bag	After 1994
	518-05001-23	2	Lift Air bag	Before 1994
16	517-05904-23	2	Limiter Strap	
17	Call for Assistance	1	Limiter strap Pack	
18	540-11000-12	4	3/4" SAE Hex Nut	
19	517-05502-23	4	3/4" U-Bolt Kit	(Includes Items 19,20, 21)
20	540-11000-08	8	3/4"-13 SAE Hex Nut	
21	540-02000-08	8	3/4" SAE Lock Washer	
22	Call for Assistance	6	3/4"-16 SAE X 1" Cap Screw	
23	540-02000-12	6	3/4" SAE Lock Washer	
24	517-05100-23	4	Alignment Collars	



SUSPENSION PARTS CATALOG

Hendrickson TRL-Axle Assemblies





SUSPENSION PARTS CATALOG

Hendrickson TRLAxle Assemblies

Hendrickson Axles are a direct replacement for East OEM Axle Assemblies.

<u>Item NO.</u>	<u>Description</u>	<u>Notes.</u>
Axle Assemblies		
520-25513-20	71.5" for 96"W Chassis ,TP Axle Assy. 16.5"X7" Brakes 23K	
520-25514-20	77.5" for 102"W Chassis, TP Axle Assy. 16.5"X7" Brakes 23K	
520-25764-20	71.5" for 96"W Chassis, HN Axle Assy. 16.5"X7" Brakes 23K	
520-25767-20	77.5" for 102"W Chassis, HN Axle Assy. 16.5"X7" Brakes 23K	
Brake Shoe Kits		
Call for Assistance	Hendrickson ABEX H23 (2) Shoes and Hardware Kit	
537-05523-20	NEOBRAKE OEM QP4707 Direct Replacement	
537-05145-00	NEOBRAKE Relined QP4707 Direct Replacement	
537-15769-00	Brake Hardware Kit	
S-Cam Parts		
537-05964-20	S-CAM BUSHING KITS TRLAXLE'S	(Non Tube Type TRL Axle)
537-05965-20	S-Cam Kit Tube Type 23-3/4" S-Cam	(S cam Tube Kit TRL Axle)
537-05594-20	R/H S Cam 1-5/8"x 23-3/4"x 28PL	
537-05595-20	L/H S Cam 1-5/8"x 23-3/4"x 28SPL	

(S-Cams Vary Per Axle, Please Verify with Hendrickson per TRLAxle Number)

SUSPENSION PARTS CATALOG

After Market Axle Components

Part #	Description	Notes.
--------	-------------	--------

Hub Assemblies

521-15571-24	10 Stud Steel Piloted, Long Stud, TP/HP, Pre Loaded	
521-15551-24	10 Stud Steel Piloted, Lightweight TP/HP, Pre Loaded	
521-15551-03	10 Stud Aluminum Piloted, TP/HP, Pre Loaded	
521-15772-24	10 Stud Steel Piloted, Long Stud, HN/TQ, Pre Loaded	
521-15751-24	10 Stud Steel Piloted, Lightweight, HN/TQ, Pre Loaded	
521-15751-03	10 Stud Aluminum Piloted. HN/TQ, Pre-Loaded	



Drum Assemblies

521-05700-24	16-1/2" x 7" Shoe, Steel Cast	
521-05996-13	16-1/2" x 7" Shoe, Lightweight	
521-05137-13	16-1/2" x 5" Shoe, Lightweight (OBSOLETE)	
521-05985-23	16-1/2" X 5" Shoe Cast Drum	
521-05702-24	15" x 4" Shoe Steel Cast (Composilite Susp.)	



Hub Caps

531-05819-03	Standard Cup TQ/HN, 6 Hole	
531-05870-03	P Hub, HP/TP, 6 Hole	



Wheel Seals

531-05527-03	Oil Bath Seal TQ/HN Hub	
531-05463-03	Oil Bath Seal TP/HP Hub	



Slack Adjuster

537-05528-18	Meritor/Rockwell Auto Slack 5.5" x 28 SPL.	
537-05529-18	Meritor/Rockwell Auto Slack 6" X 28 SPL	



Drum Brake Chambers

537-25330-20	30/30 Brake Chamber 5-34" Rod	
--------------	-------------------------------	--

(Std Meritor/ Rockwell Axle, Hendrickson TRLAXLE, AAL Intraax Susp.)

537-25332-20	30/30 Brake Chamber 9-7/8' Rod	
--------------	--------------------------------	--

(Meritor RFS Susp., AAT Intraax Susp.)



Wheel Nuts/ Spindle Nuts

521-05882-00	22mm Wheel Nut	
520-05377-13	Axi Lock Spindle Nut TP/HP	
520-05251-13	Axi Lock Spindle Nut HN/TQ	



SUSPENSION PARTS CATALOG

After Market Axle Components

S-Cam And Bushing Kits

Rockwell Axles

- 537-05575-18 RH Camshaft 24-5/8"
- 537-05576-18 LH Camshaft 24-5/8"
- 537-15520-00 Re Bush Kit



Meritor Axles/RFS Suspension

- 537-05575-18 RH Camshaft 24-5/8"
- 537-05576-18 LH Camshaft 24-5/8"
- 537-15520-04 Heavy Duty Bolt on cam Kit



Dexter/ IMT Axles

- 537-05002-99 RH Camshaft 23-3/4"
- 537-05003-99 LH Camshaft 23-3/4"
- 537-15287-00 Camshaft Repair Kit



Hendrickson Intraax

- 537-05636-20 LH Camshaft 11.02"
- 537-05637-20 RH Camshaft 11.02"
- 537-05974-20 Cam Kit PRE 2001
- 537-05890-20 Cam Kit After 2001



Hendrickson TRL Axles

- 537-05964-20 Cam Bushing Kit
- 537-05594-20 R/H S Cam 1-5/8"x 23-3/4"x 28PL
- 537-05595-20 L/H S Cam 1-5/8"x 23-3/4"x 28SPL

(S-Cams Vary by Axle, Please Check with Hendrickson on the TRLAXLE you are Working With)

SUSPENSION PARTS CATALOG

Suspension Re-Bushing Kits

RHC Suspension

- 515-15493-05 Complete Tandem Kit (Includes 3 kits listed below)
- 515-15492-05 Trunnion Connection Kit
- 515-15494-05 Torque Arm Connection Kit
- 515-15491-05 Axle Connection Kit

Neway Suspensions

- 515-15033-14 Rubber Components and U-Bolts
- 515-15136-14 Rubber Components and U-Bolts
- 515-15137-14 Rubber Components and U-Bolts

Reyco 21B Suspension

- 515-15319-18 Tandem Torque Arm Kit
- 515-15506-18 Tandem Equalizer Kit

Meritor RFS Suspensions

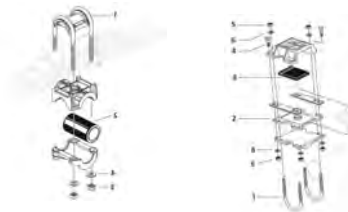
- 517-05006-18 Pivot Connection Kit RFS 23K (1 Arm)
- 517-05008-18 Pivot Connection Kit RFS 25K (1 Arm)

Hendrickson Suspension

- 517-05679-20 Quick Align Pivot Bolt and Nut Kit
- 517-05804-20 Q/A Pivot Bolt Kit with Collars
- 517-05008-20 Weld Align Pivot Bolt Kit
- 517-15821-20 Weld Align Pivot Connection Kit (1 Arm)
- 517-15822-20 Q/A Pivot Bushing Kit (1Arm)
- 517-15833-20 Q/A Pivot Bushing Kit (1 Axle)
(Kit includes 2 517-15822-20 kits and align collars)
- 517-05815-20 AANT 23K Pivot Bolt Kit (1 Arm)
- 517-15830-20 AANT 23K Pivot Bushing Kit (1 Axle)

Watson and Chalin

- 517-05010-23 WCTA 5000 Axle Connection Kit (1 Axle)
- 517-05011-23 WCTA 5000 Pivot Connection Kit (1Axle)
- 517-05016-23 WCTL 9000 Pivot Connection Kit (1 Axle)
- 517-05017-23 WCTL 9000 Axle Connection Kit (1Axle)
- 517-05064-23 TA/TI Bushing Kit





SUSPENSION PARTS CATALOG

Additional Suspension Options

Brake Dust Shields

Hendrickson

Part #	Item
520-05015-20	Hendrickson LDA Axle Tube With Air Disk Brakes
520-05014-20	Hendrickson LDA Axle 5-3/4" Tube (After 2012)
520-05013-00	Hendrickson 5" Axle Tube Intraax (Pre 2012)
520-28501-20	Dust shield Hardware Kit 5" AXLE

Meritor

520-05000-18	Standard 5" Axle w/ 7" Brake Shoe
520-05002-18	Dust Shield Kit for 5" Brake Shoe
520-05002-18	Dust shield Kits 8-5/8" Brake Shoe

Cam Cover Kits

537-05890-20	Hendrickson Cam Tube Kit Intraax
537-05992-18	Meritor Cam Cover Kit
520-05019-00	Cam Cover IMT /Dexter Axle

099-05031-50 ANTI Corrosion Mounting Kit 5/8"

(Comes Complete with (14) 5/8" Shake Proof Bolts, Nuts, and Washers, (1) 24" x 45" HDPE Sheet,
(1) 8oz ECK Corrosion Inhibitor and (1) Warning Lable)



SUSPENSION PARTS CATALOG

Air Disk Brake Components

AIR DISC BRAKES



SUSPENSION PARTS CATALOG

Air Disk Brake Components

Hendrickson Maxx 22

537-25652-20	L/H Caliper With Hardware
537-25653-20	R/H Caliper With Hardware
537-15677-20	Brake Pad Kit (4 Pads with Hardware)
537-25700-20	Dura Light Rotor Only With Studs
537-25700-04	Dura Brake/Dura Light Maax 22 Rotor
537-25701-20	Ductile Hub Rotor Only
537-25446-20	TSE 18/24 Brake Chamber L/H
537-25447-20	TSE 18/24 Brake Chamber R/H
521-15551-20	Maxx 22 Dura Light ADI Hub
519-05007-20	ADB Sensor Kit
531-05432-20	HXL5/HXL7 SEAL REPLMT P Sindle

Bendix Knorr ADB 22X

537-25647-20	L/H Caliper with Hardware
537-25648-20	R/H Caliper with Hardware
537-15152-20	Brake Pad Kit (4 Pads with Hardware)
537-25651-20	Rotor Only 430MM
537-25000-20	18/24 Brake Chamber R/H
537-25001-20	18/24 Brake Chamber L/H

Wabco Pan 22

537-25649-20	L/H Caliper with Hardware
537-25650-20	R/H Caliper with Hardware
537-15676-20	Brake Pad Kit (4 Pads with Hardware)
537-25654-20	Rotor Only
537-25002-20	20/24 Brake Chamber R/H
537-25003-20	20/24 Brake Chamber L/H

Composilite FX Suspension



Hendrickson Composilite Suspension Available Parts Through East

537-05702-24	15"X4" Brake Shoe Kit
518-05029-20	Air Spring Up Bag
518-05033-20	Air Spring Down Bag
521-05702-24	15" X 4" Brake Drum

Additional Assistance Please Call the East Aftermarket Parts Department



East Trailer LLC

East Aftermarket Parts

4242 Karg Industrial Parkway

Kent, Ohio 44240

800-362-0851

east-trailers.com