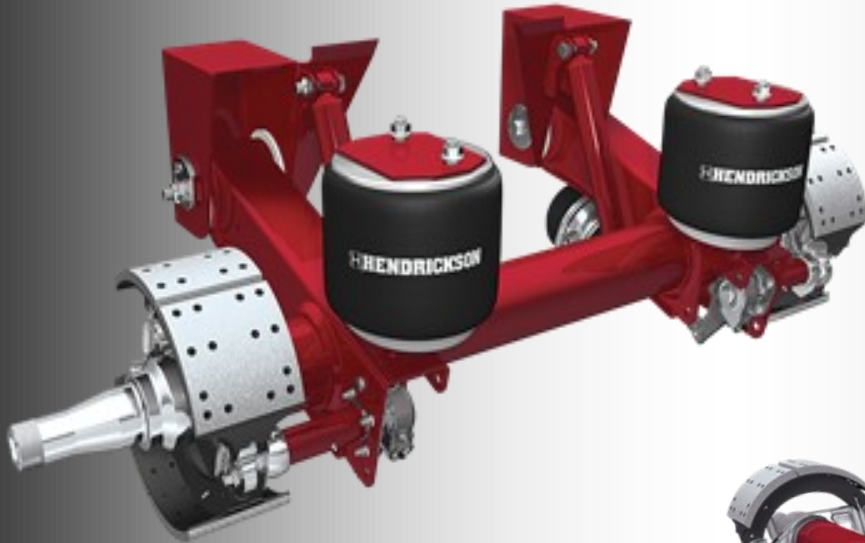


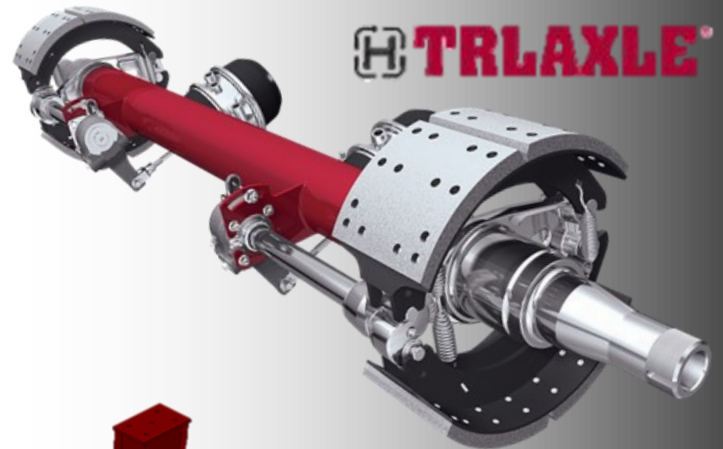
First In Aluminum Trailers



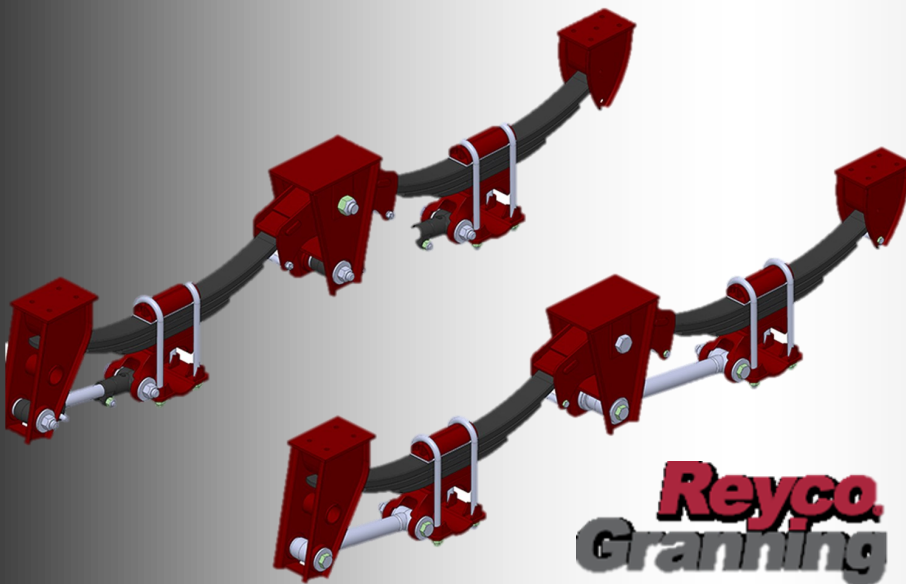
SUSPENSION PARTS CATALOG



H INTRAAX®



H TRILAXLE®



**Reyco
Granning**

Revised December 2019



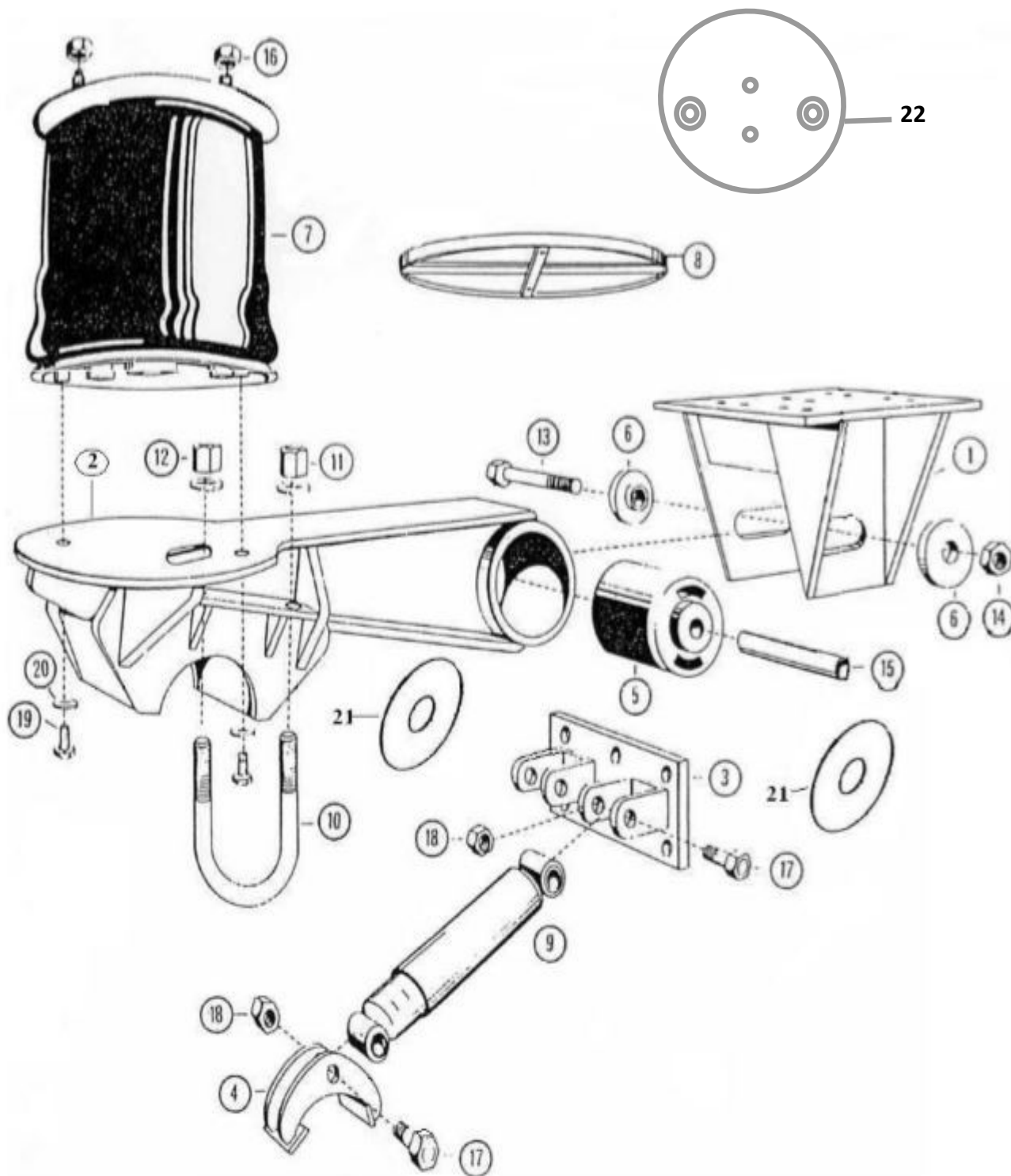
SUSPENSION PARTS CATALOG

Table of Contents

ITEM	PAGE NUMBER
HENDRICKSON T-15/T-17/T-20	2-3
HENDRICKSON HT 230-14/16	4-5
HENDRICKSON HT-300-15/17	6-7
HENDRICKSON HT250-15-17-19	8-9
HENDRICKSON INTRAAX AAT23K/25K/30K	10-11
HENDRICKSON INTRAAX AAL23K/25K/30K	12-15
HENDRICKSON HLN LIFT SUSPENSION	16-16a
HENDRICKSON UBL LIFT KIT	17-18
HUTCHENS H-900-50 SINGLE POINT	19-20
MERITOR RFS 23K	21-22
MERITOR RFS 25K	23-24
NEWAY TS-4400/5000/5600	25-26
RHC SUSPENSION	27-28
REYCO 21B	29-31
WATSON WCTA 5000	32-33
WATSON WCTL 9000	34-35
HENDRICKSON AXLE ASSEMBLIES	36
WHEEL END COMPONENTES	37-38
SUSPENSION REBUSHING KITS	39
SUSPENSION OPTIONAL COMPONENTS	40

SUSPENSION PARTS CATALOG

HENDRICKSON T-15/17/20





SUSPENSION PARTS CATALOG

HENDRICKSON T-15/17/20 PARTS LIST

Item #	East part #	QTY	Description	Vendor #
1	517-05501-20	1	Frame Bracket T-15 Roadside / L.H	C-4720-1
	517-05502-20	1	Frame Bracket T-15 Curbside / R.H	C-4720-2
	517-05701-20	1	Frame Bracket T-17 Roadside / L.H	C-4719-1
	517-05702-20	1	Frame Bracket T-17 Curbside / R.H	C-4719-2
	517-05201-20	1	Frame Bracket T-20 Roadside / L.H	D-5234-1
	517-05202-20	1	Frame Bracket T-20 Curbside / R.H	D-5234-2
2	517-05703-20	2	Beam & Axle Seat T-15 / T-17 Roadside / L.H	B-3647-1
	517-05704-20	2	Beam & Axle Seat T-15 / T-17 Curbside / R.H	B-3647-2
	517-05203-20	2	Beam & Axle Seat T-20 Roadside / L.H	B-4620-1
	517-05204-20	2	Beam & Axle Seat T-20 Curbside / R.H	B-4620-2
3	517-05001-20	2	Upper Shock Bracket	S-2592
4	517-05002-20	2	Lower Shock Bracket	S-2723
5	517-15821-20	2	Weld Align Pivot Connection Kit	S-6914
			(Includes Items 5, 13,14,15 and 21)	
6	517-05004-20	4	Weld Alignment Collars	B-2770
7	518-05005-20	2	Air Spring After- 1985 2 Stud	B-4771
	518-05004-20	2	Air Spring PRE- 1985 4 Stud	B-2648
8	558-05008-20	2	Aluminum Air Spring Spacer T-17	East Item
9	517-05006-20	2	Shock Absorber	S-2218
10	517-05007-20	1	Axle U-Bolt Kit 1 Suspension	S-3650
			(Includes Items 10, 11, and 12)	
16	517-05009-20	2	Air Bag Mounting Kit	S-25452-2
			(Includes Items 16, 17, 18, 19, and 20)	
21	517-05206-20	4	Nylon Bushing Retainer Disk	S-2109
			(Also Included in Item #5)	
22	517-05813-20	2	Air Bag Top Mounting Plate	B-24813



SUSPENSION PARTS CATALOG

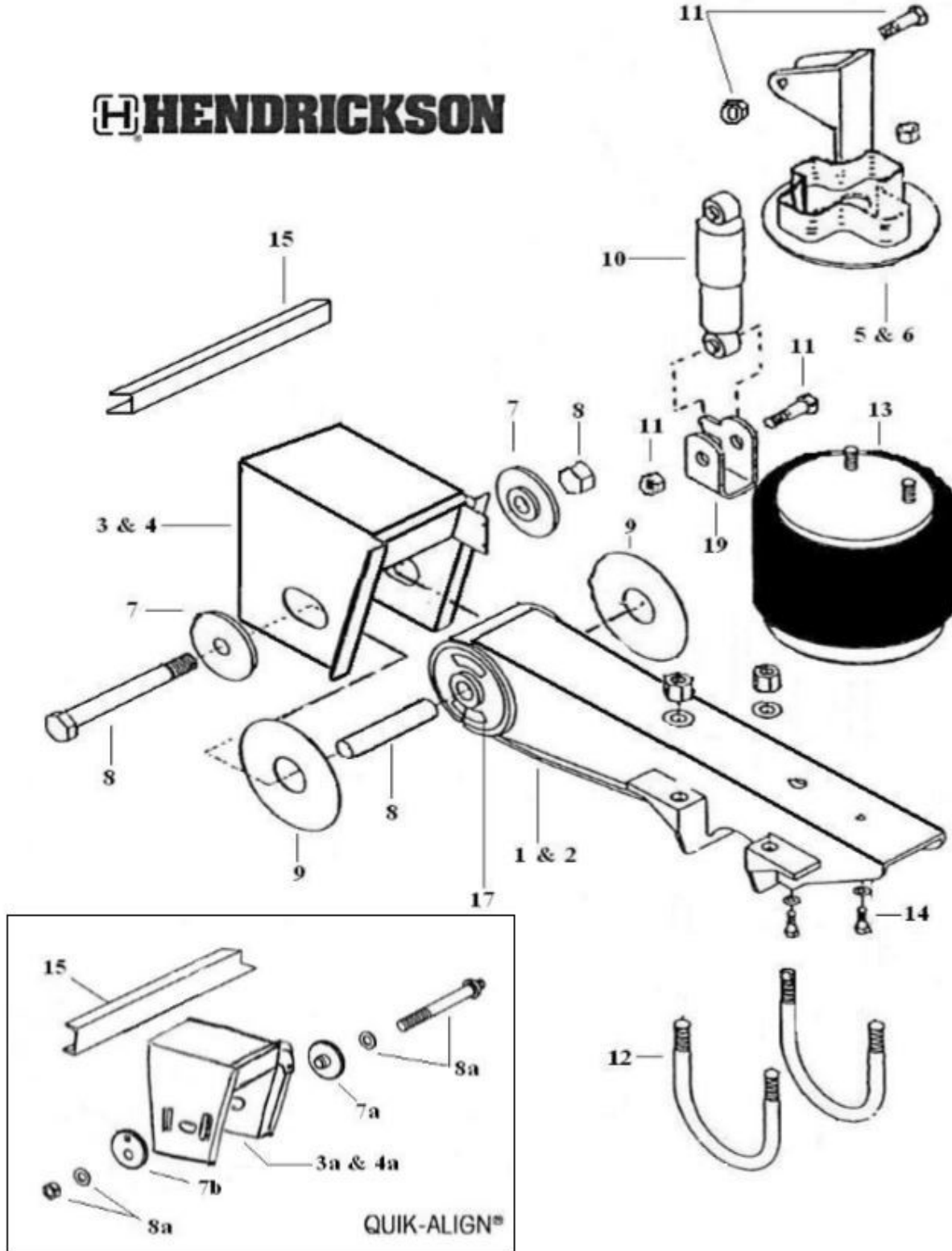
HENDRICKSON HT SERIES SUSPENSIONS



SUSPENSION PARTS CATALOG

HENDRICKSON HT230-14/16

HENDRICKSON



HENDRICKSON HT230-14/16 PARTS LIST

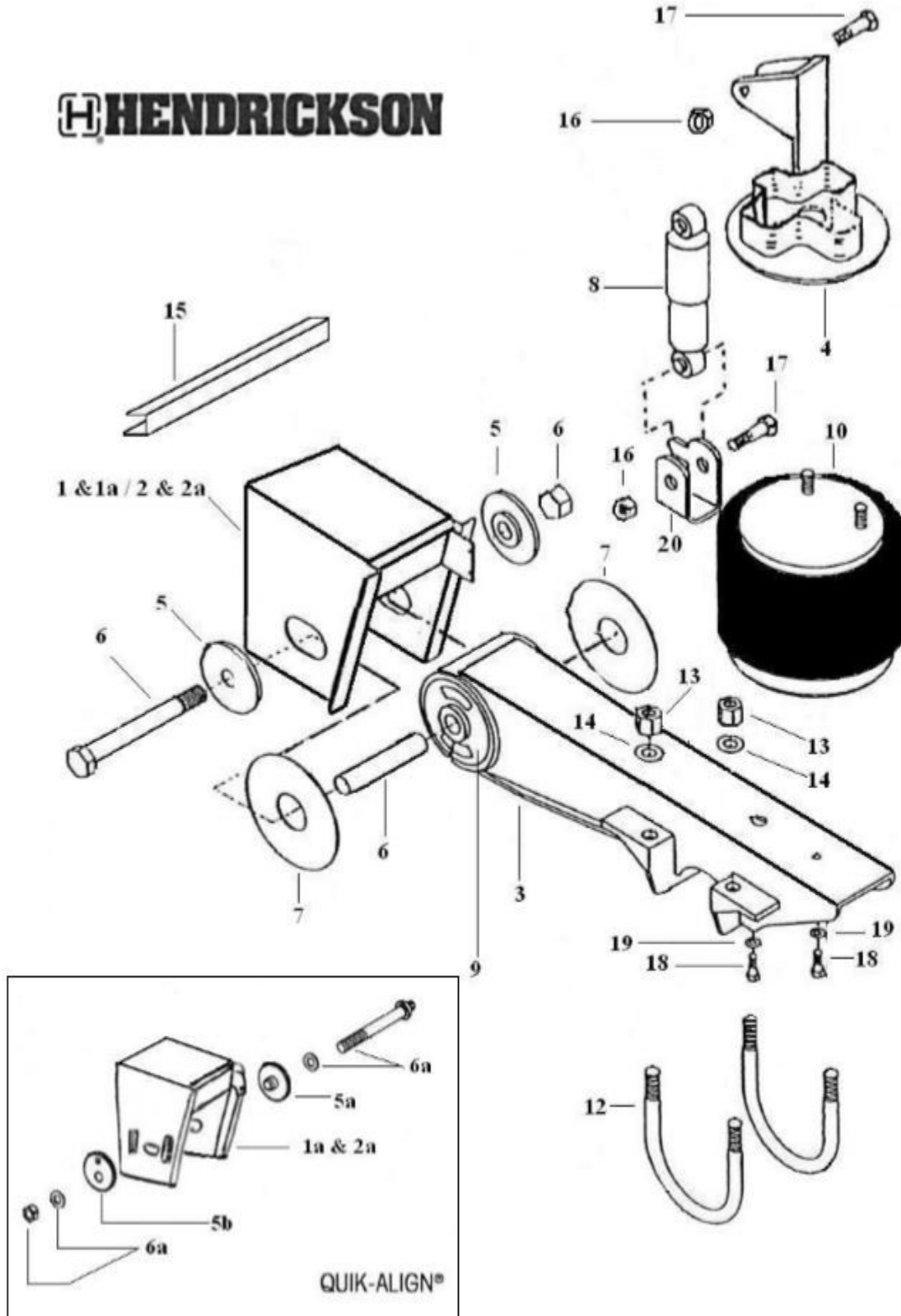
Item #	East part #	QTY	Description	Vendor #
1	517-05100-20	1	Beam & Axle Seat HT-14/16 Curbside / R.H	S-20000-2
2	517-05101-20	1	Beam & Axle Seat HT-14/16 Roadside / L.H	S-20000-1
3	517-05102-20	1	Frame Bracket HT-14 Curbside / R.H	S-20007-2
	517-05103-20	1	Frame Bracket HT-14 Roadside / L.H	S-20007-1
3a	517-05802-20	1	Frame Bracket HT-14 Q/A Curbside / R.H	D-22137-2
	517-05803-20	1	Frame Bracket HT-14 Q/A Roadside / L.H	D-22137-1
4	517-05104-20	1	Frame Bracket HT-16 Curbside / R.H	C-20008-2
	517-05105-20	1	Frame Bracket HT-16 Roadside / L.H	C-20008-1
4a	517-05800-20	1	Frame Bracket HT-16 Q/A Curbside / R.H	S-22138-2
	517-05801-20	1	Frame Bracket HT-16 Q/A Roadside / L.H	S-22138-1
4b	517-05118-20	1	Frame Bracket HT-18 Q/A Roadside / L.H	D-21332-1
	517-05119-20	1	Frame Bracket HT-18 Q/A Curbside / R.H	D-21332-2
5	517-05106-20	1	Air Spring Shock Mount HT-14 Curbside / R.H	C-20015-2
	517-05107-20	1	Air Spring Shock Mount HT-14 Roadside/ L.H	C-20015-1
6	517-05108-20	1	Air Spring Shock Mount HT-16 Curbside / R.H	C-20041-2
	517-05109-20	1	Air Spring Shock Mount HT-16 Roadside / L.H	C-20041-1
6a	517-05116-20	1	Air Spring Shock Mount HT-18 Roadside / L.H	C-20042-1
	517-051177-20	1	Air Spring Shock Mount HT-18 Curbside / R.H	C-20042-2
7	517-05004-20	4	Alignment Collars Weld Align	B-2770
7a	517-05020-20	2	Eccentric Align Collar Quick Align	S-20924
	517-05021-20	2	Concentric Align Collar Quick Align	S-20925
8	517-05008-20	2	Pivot Bolt Kit (Weld Align)	S-3646
8a	517-05679-20	2	Pivot Bolt Kit (Quick Align) (Included in Item 17)	S-24679
9	517-05206-20	4	Nylon Retainer Disk (Included in item 17)	S-21099
10	517-05110-20	2	Shock Absorber	S-20002
11	517-05010-20	2	Shock Bolt Kit	S-20031/2
12	517-05113-20	4	U-Bolt Kit HT Suspensions	S-21140/4
13	518-05009-20	2	Air Spring HT-14/ HT-16	S-20010
14	517-05009-20	2	Air Spring mounting Kit	S-25452-2
15	554-05014-00	1	3" Steel Cross Brace 42" (102"W Chassis)	East Part
	554-05014-01	1	3" Steel Cross Brace 36" (96"W Chassis)	East Part
17	517-15821-20	2	Trifunctional Bushing Kit (Weld Align)	S-6914
	517-15822-20	2	Trifunctional Bushing Kit (Quick Align)	S-24691

(Includes Items 8,9,and 17)

SUSPENSION PARTS CATALOG

HENDRICKSON HT300-15/17

HENDRICKSON





SUSPENSION PARTS CATALOG

HENDRICKSON HT300 15/17 PARTS LIST

Item #	Part #	QTY	Description	Vendor #
1	517-05300-20	1	Frame Bracket HT300-17-002 Curbside / R.H	D-20190-2
	517-05301-20	1	Frame Bracket HT300-17-002 Roadside / L.H	D-20190-1
1a	517-05902-20	1	Frame Bracket (Q/A) HT300-17-060 Curbside / R.H	D-24222-2
	517-05903-20	1	Frame Bracket (Q/A) HT300-17-060 Roadside / L.H	D-24222-1
2	517-05302-20	1	Frame Bracket HT300-15-002 Curbside / R.h	C-20189-2
	517-05303-20	1	Frame Bracket HT300-15-002 Roadside / L.H	C-20189-1
2a	517-05904-20	1	Frame Bracket (Q/A) HT300-15-060 Curbside / R.H	D-24220-2
	517-05905-20	1	Frame Bracket (Q/A) HT300-15-060 Roadside / L.H	D-24220-1
3	517-05304-20	1	Beam and Axle Seat HT300-15/17 Curbside / R.H	D-20186-2
	517-05305-20	1	Beam and Axle Seat HT300-15/17 Roadside / L.H	D-20186-1
4	517-05307-20	1	Air Spring, Shock Mount HT300-17 Curbside / R.H	C-20191-2
	517-05308-20	1	Air Spring, Shock Mount HT300-17 Roadside / L.H	C-20191-1
	517-05309-20	1	Air Spring, Shock mount HT300-15 Curbside / R.H	C-20188-2
	517-05310-20	1	Air Spring, Shock Mount HT300-15 Roadside / L.H	C-20188-1
5	517-05004-20	4	Welded Alignment Collar	B-2770
5a	517-05020-20	2	Q/A Eccentric Collar	S-20924
5b	517-05021-20	2	Q/A Concentric Collar	S-20925
6	517-15822-20	2	Pivot Bolt Kit (Welded Align) (Included in Item 9a)	S-24691
6a	517-05679-20	2	Pivot Bolt Kit (Quick Align) (Included in item 9)	S-24679
7	517-05206-20	4	Nylon Bushing Retainer Disk (Included in Item 9 & 9a)	S-21099
8	517-05306-20	2	Shock Absorber	S-20126
9	517-15822-20	2	Tri Functional Bushing Kit (Q/A)	S-24691
9a	517-15821-20	2	Tri Functional Bushing Kit (Weld Align)	S-6914
10	518-05005-20	2	Air Spring / Ride Bag	S-4771
12	517-05113-20	4	Axle U-Bolt Kit (Includes items 13 & 14)	S-21140/4
15	554-05014-00	1	3" Steel Channel (102"W Units) 42"	East Part
	554-05014-01	1	3" Steel Channel(96"W units) 36"	East Part
16-19	517-05010-20	2	Shock Bolt Kit	S-20031-2
20	517-05111-20	2	Lower Shock Mount	C-20069



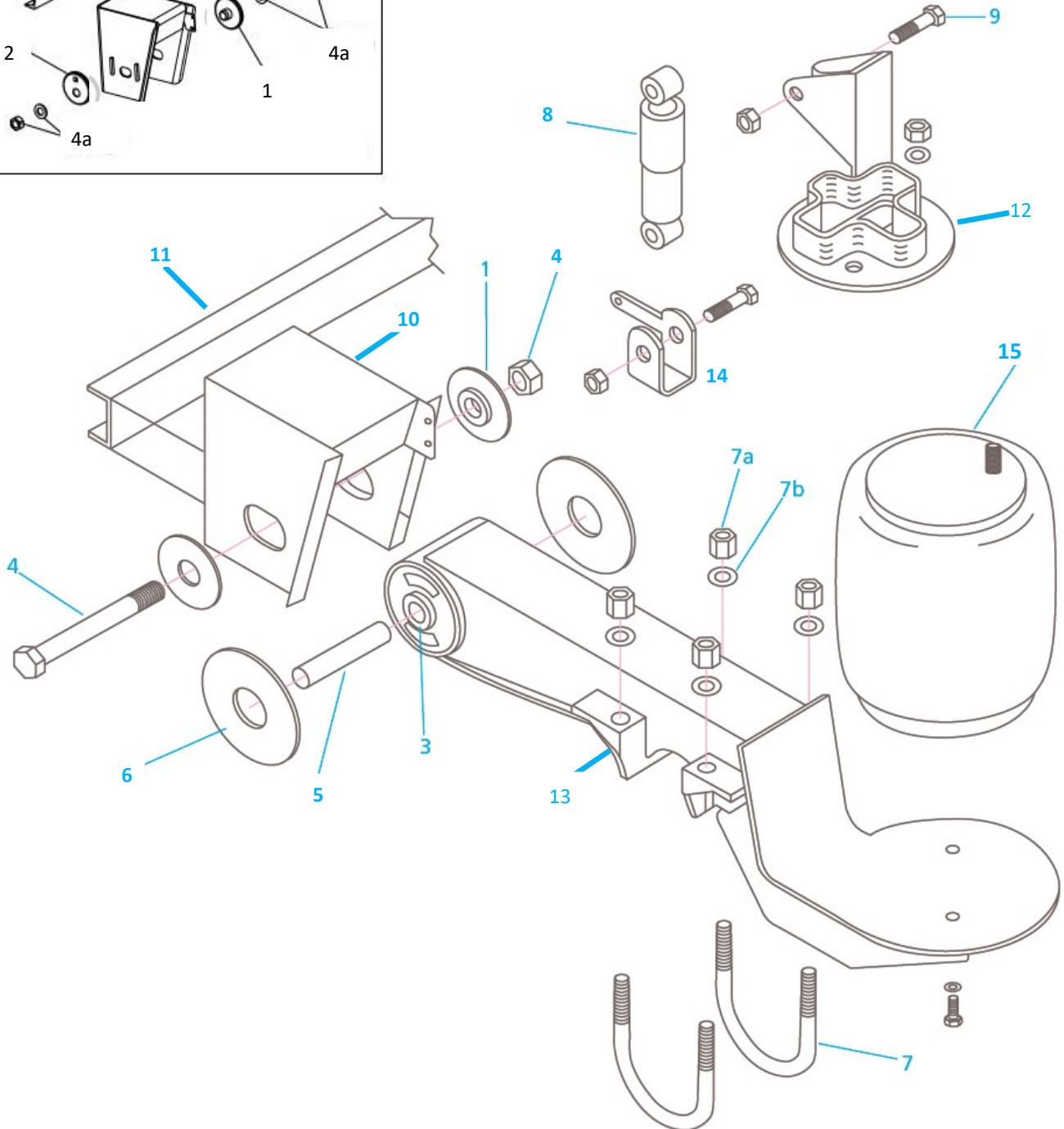
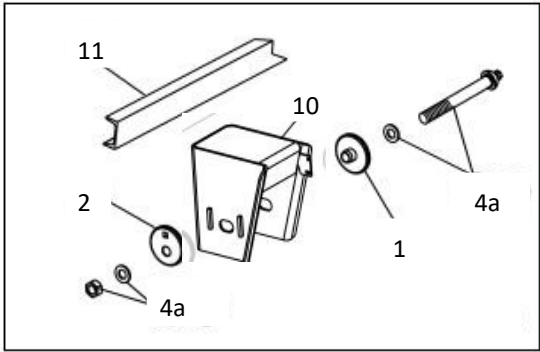
SUSPENSION PARTS CATALOG

HENDRICKSON HT250 15/17 /19



SUSPENSION PARTS CATALOG

HENDRICKSON HT250 15/17 /19





SUSPENSION PARTS CATALOG

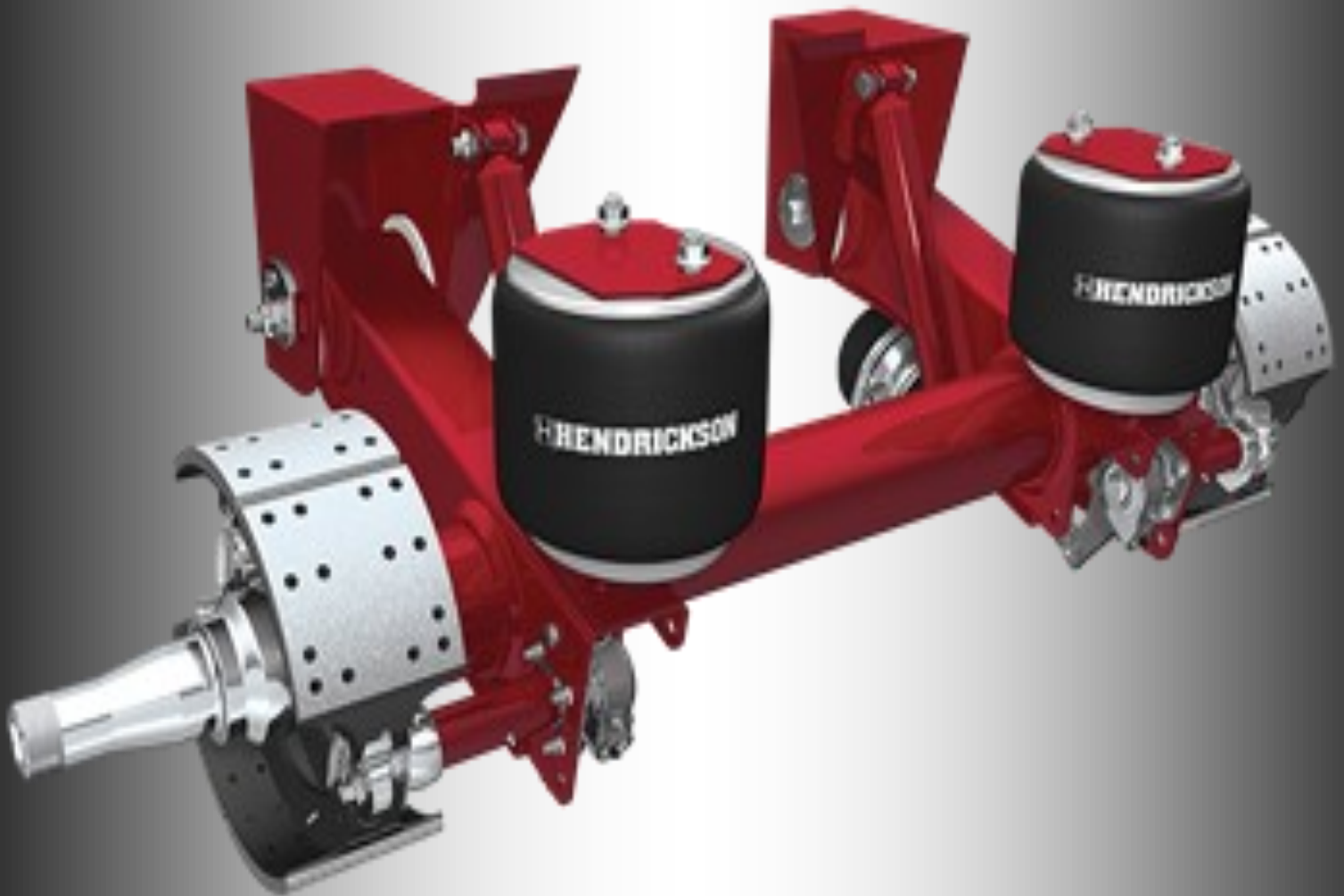
HENDRICKSON HT250 15/17 /19

NO	Part Number	QTY	Description	Vendor Number
1.	517-05021-20	2	Concentric Collars	S-20924
1a.	517-05004-20	4	Weld Align Collars	B-2770
1.	517-05020-20	2	Eccentric Collars	S-20925
3-6.	517-15821-20	2	Weld Align Bushing Kit	S-6914
	517-15822-20	2	Q/A Bushing Kit	S-24691
4.	517-05008-20	2	Pivot Bolt Kit Weld Align	S-3646
4a	517-05679-20	2	Pivot Bolt Kit Quick Align	S-24679
7.	517-05113-20	4	U-Bolt Kit	S-21140/4
8.	517-05212-20	2	HT250 Shock Absorber	S-2212
9.	517-05010-20	2	Shock Bolt Kit	S-20031-2
10.	517-05102-20	1	HT250-15-002 W/A Hanger P/S	S-20007-2
	517-05103-20	1	HT250-15-002 W/A Hanger D/S	S-20007-1
	517-05104-20	1	HT250-17-002 W/A Hanger P/S	S-20008-2
	517-05105-20	1	HT250-17-002 W/A Hanger D/S	S-20008-1
	517-05396-20	1	HT250-19-002 W/A Hanger D/S	S-20396-1
	517-05397-20	1	HT250-19-002 W/A Hanger P/S	S-20396-2
11.	554-05014-00	1	41" Cross Channel 102"w Units	East Part
	554-05014-01	1	38" Cross Channel 96" Units	East Part
12.	517-05122-20	1	P/S Bag/Shock Mount Plate 15"RH	C-21220-2
	517-05121-20	1	D/S Bag/Shock Mount Plate 15"RH	C-21220-1
	517-05135-20	1	D/S Bag/Shock Mount Plate 17" RH	C-21222-1
	517-05136-20	1	P/S Bag/Shock Mount Plate 17" RH	C-21222-2
	517-05213-20	1	P/S Bag/Shock Mount Plate 19" RH	C-21213-2
	517-15214-20	1	D/S Bag/Shock Mount Plate 19" RH	C-21213-1
13.	517-05137-20	1	Trailing Beam Assy. Driver	S-20602-1
	517-05138-20	1	Trailing Beam Assy. Passenger	S-20602-2
14.	517-05111-20	2	Lower Shock Mount	C-20069
15.	518-05011-20	2	Air Bag / Air Spring	C-20124



SUSPENSION PARTS CATALOG

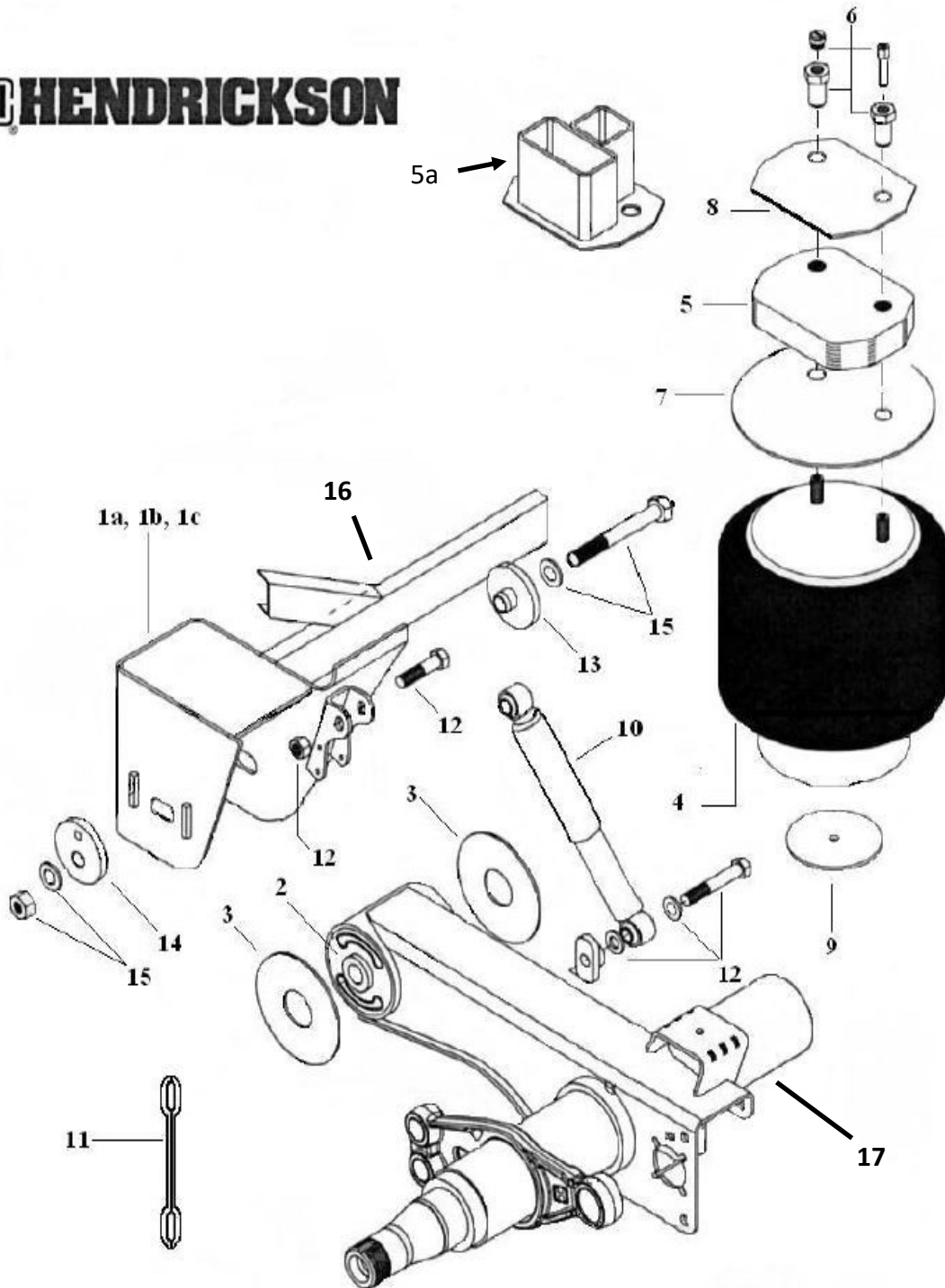
HENDRICKSON INTRAAX SERIES SUSPENSION



SUSPENSION PARTS CATALOG

HENDRICKSON INTRAAX 23K, 25K, 30K

HENDRICKSON



HENDRICKSON INTRAAX PARTS LIST (Non LDA Pre 2012)

NO.	Part #	QTY	Item	Vendor #
1a	517-15825-20	1	Hanger AAT 23K-30K 14" & 15" B.O. Roadside / L.H	S-36566-2L
	517-15826-20	1	Hanger AAT 23K-30K 14" & 15" B.O. Curbside / R.H	S-36566-2R
	517-25831-20	1	Hanger Galvanized 23K-30K 14" & 15" Roadside / L.H	S-30960-4LGV
	517-25832-20	1	Hanger Galvanized 23K-30K 14" & 15" Curbside / R.H	S-30960-4RGV
1b	517-15823-20	1	Hanger AAT 23K-30K 16"&17" B.O. Roadside / L.H	S-36566-4L
	517-15824-20	1	Hanger AAT 23K-30K 16"&17" B.O. Curbside / R.H	S-36566-4R
	517-25833-20	1	Hanger Galvanized 23K-30K 16" & 17" Roadside / L.H	S-36566-4LGV
	517-25834-20	1	Hanger Galvanized 23K-30K 16" & 17" Curbside / R.H	S-36566-4RGV
1c	517-15831-20	1	Hanger AAT 23K-30K 18" & 19" B.O. Roadside / L.H	S-36567-4L
	517-15832-20	1	Hanger AAT 23K-30K 18" & 19" B.O. Curbside / R.H	S-36567-4R
2	517-15822-20	2	Quick Align Pivot Bushing Kit (1 Arm) Includes Items 2, 3, and 15	S-24691
3	517-05206-20	4	Bushing Retainer Disk	S-21099
4	518-05017-20	2	Air Spring AAT 23K	S-21800
	518-05018-20	2	Air Spring AAT 25K	S-20901
	518-05022-20	2	Air Spring AAT 30K	S-25873
5	517-15125-20	2	Air Spring Spacer (1-1/8") 15" Ride Height	B-22510-1
	517-15126-20	2	Air Spring Spacer (1-7/8") 16" Ride Height	B-22510-2
	517-15127-20	2	Air Spring Spacer (3-1/8") 17" Ride Height	B-22510-3
5a	517-05079-20	2	19" RH AAT Air Bag Spacer Non LDA (Pre 2012)	D-26977-9
6	517-15193-20	2	Air Spring Mounting Kit No Spacer	S-22619/2
	517-15190-20	2	Air Spring Mounting Kit, 15" Ride Height	S-22630/2
	517-15191-20	2	Air Spring Mounting Kit, 16" Ride Height	S-22631/2
	517-15192-20	2	Air Spring Mounting Kit, 17" Ride Height	S-22632/2
7	517-05813-20	2	Air Spring Flex Plate	B-24813
8	517-05390-20	2	Air Spring Mounting Plate	B-22390
		2	Galvanized Mounting Plate	B-22390GV
9	517-05391-20	2	Air Spring Bottom Retainer Disk	S-21786
10	517-05805-20	2	Shock Absorber AAT 23K & AAT 25K	S-23566
	517-05808-20	2	Shock Absorber AAT 30K	S-24023
11	517-05861-20	1	Shock Limiting Strap Kit AAT23K-25K 17" RH	S-23086-1
	517-05862-20	1	Shock Limiting Strap Kit AAT30K 17"-19" RH	S-23086-2

SUSPENSION PARTS CATALOG



HENDRICKSON INTRAAX PARTS LIST (Non LDA Pre 2012) Cont.

NO.	Part #	QTY	Item	Vendor #
12	517-05810-20	2	Shock Bolt Kit with Spacer	S-24021
13	517-05020-20	2	Eccentric Collar	S-20924
14	517-05021-20	2	Con Central Collar	S-20925
15	517-05679-20	2	Pivot Beam Bolt Kit (Quick Align)	S-24679
16	517-15003-20	1	K-Bracing Mounting Kit 102" W Chassis	C-31901-1C
	517-15008-20	1	K-Bracing Mounting Kit 96" W Chassis	C-31901-3C
17	517-15055-20	1	Non-LDA Air Spring Pedestal (Pre 2012) 5" Axle L.H.	S-32164-3L
	517-15056-20	1	Non-LDA Air Spring Pedestal (Pre 2012) 5" Axle R.H.	S-32164-3R
	517-05051-20	1	LDA Pedestal L.H. 14" Ride height (After 2012)	S-32164-1L
	517-05052-20	1	LDA Pedestal R.H. 14" Ride Height (After 2012)	S-32164-1R
	517-05053-20	1	LDA Pedestal L.H. 15"-16" Ride Height (After 2012)	S-32164-2L
	517-05054-20	1	LDA Pedestal R.H. 15"-16" Ride Height (After 2012)	S-32164-2R
	517-05055-20	1	LDA Pedestal L.H. 17"-19" Ride Height (After 2012)	S-32164-3L
	517-05056-20	1	LDA Pedestal R.H. 17"-19" Ride Height (After 2012)	S-32164-3R



SUSPENSION PARTS CATALOG

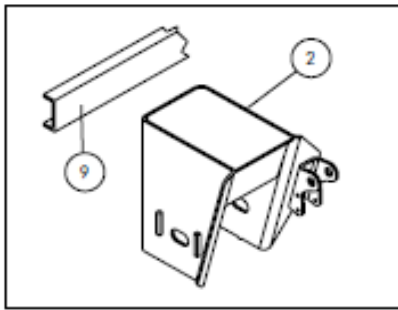
Hendrickson AAL Suspension's



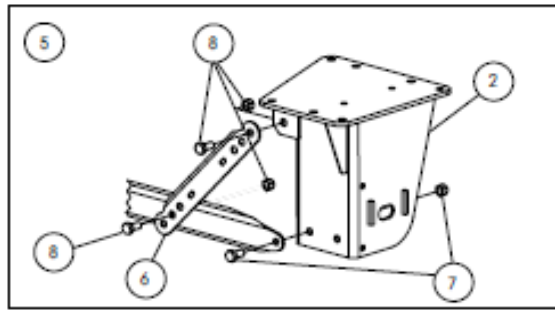
SUSPENSION PARTS CATALOG

Hendrickson AAL Suspension's

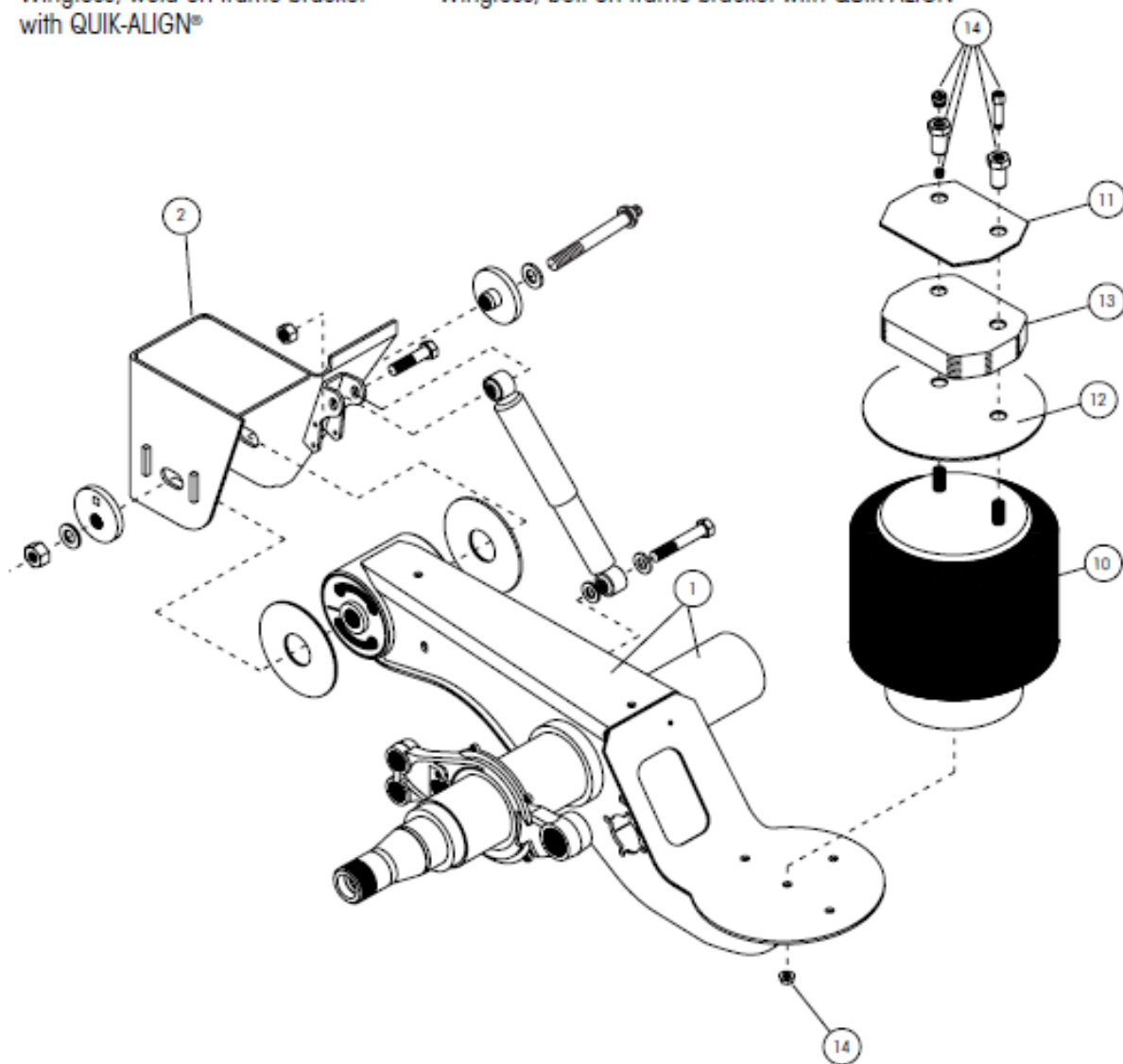
INTRAAX® AAL 23K / 25K / 30K PARTS LIST



Wingless, weld-on frame bracket with QUIK-ALIGN®



Wingless, bolt-on frame bracket with QUIK-ALIGN®





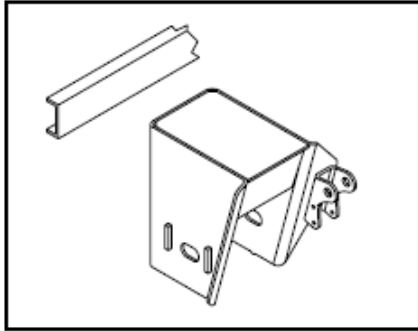
SUSPENSION PARTS CATALOG

Hendrickson AAL Suspension Parts List

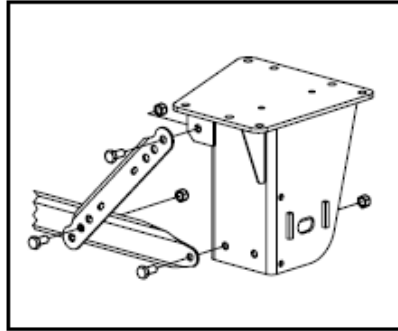
NO.	Part Number	Description	Vendor Number	QTY Per Susp.
1.	Call East	Hendrickson Axle beam Assembly	Call East	1
2a.	517-15906-20	Hanger Assy. 23K-30K 6.5" RH, Driver	S-30964-3L	1
	517-15907-20	Hanger Assy, 23K-30K 6.5" RH, Pass.	S30964-3R	1
2b.	517-15904-20	Hanger Assy, 23K-30K 14"-15" RH, Driver	S-24762-6L	1
	517-15905-20	Hanger Assy, 23K-30K 14"-15" RH, Pass.	S-24762-6R	1
2c.	517-15900-20	Hanger Assy, 23K-30K 16"-17" RH Driver	S-30965-1L	1
	517-15901-20	Hanger Assy, 23K-30K 16"-17" RH Pass.	S-30965-1R	1
2d.	517-15902-20	Hanger Assy, 23K-30K 18"-19" RH Driver	S-36565-4L	1
	517-15903-20	Hanger Assy, 23K-30K 18"-19" RH Pass.	S-36565-4R	1
5.	517-15008-20	K-Bracing Kit 96" Wide Units (Items 6-8)	C-31901-3C	1
	517-15003-20	K-Bracing Kit 102" Wide Units (Items 6-8)	C-31901-1C	1
9.	554-05014-00	Weld On C Channel 102" Wide Unit		1
	554-05014-01	Weld On C Channel 96" Wide Units		1
10.	518-05026-20	Air Spring AAL23K, 6.5" Ride Height	S-23720	2
	518-05027-20	Air Spring AAL25K, 6.5" Ride height	S-23721	2
	518-05614-20	Air Spring AAL 23K 12"-19" Ride Height	S-23614	2
	518-05025-20	Air Spring AAL 25K 12"-19" Ride Height	S-23612	2
	518-05023-20	Air Spring AAI 30K 12"-19" Ride Height	S-25872	2
11.	517-05390-20	Air Spring Mounting Plate (Bolt On)	S-20905 (S-22390)	2
		Air Spring Mounting Plate (Weld On)	S-21145	2
12.	517-05813-20	Flex Plate Top of Bag	B-24813	2
13.	517-15128-20	3/4" Air Spring Spacer 14" RH	S-22510-4	2
	517-15125-20	1-1/8" Spring Spacer 15" RH	S-22510-2	2
	517-15126-20	1-7/8" Spring Spacer 16" RH	S-22510-3	2
	517-05048-20	Spring Spacer Weld on 19" RH	S-27049-4	2
14.	517-15193-20	6.5"-12" RH Air Bag Mount Kit	S-22619/2	2
	517-15190-20	14" RH Air Bag Mount Kit	S-22630/2	2
	517-15191-20	15"RH Air Bag Mount Kit	S-22631/2	2
	517-15192-20	16" RH Air bag mount Kit	S-22632/2	2
	517-15193-20	17"-19" RH Air Bag mount Kit	S-22619/2	2

SUSPENSION PARTS CATALOG

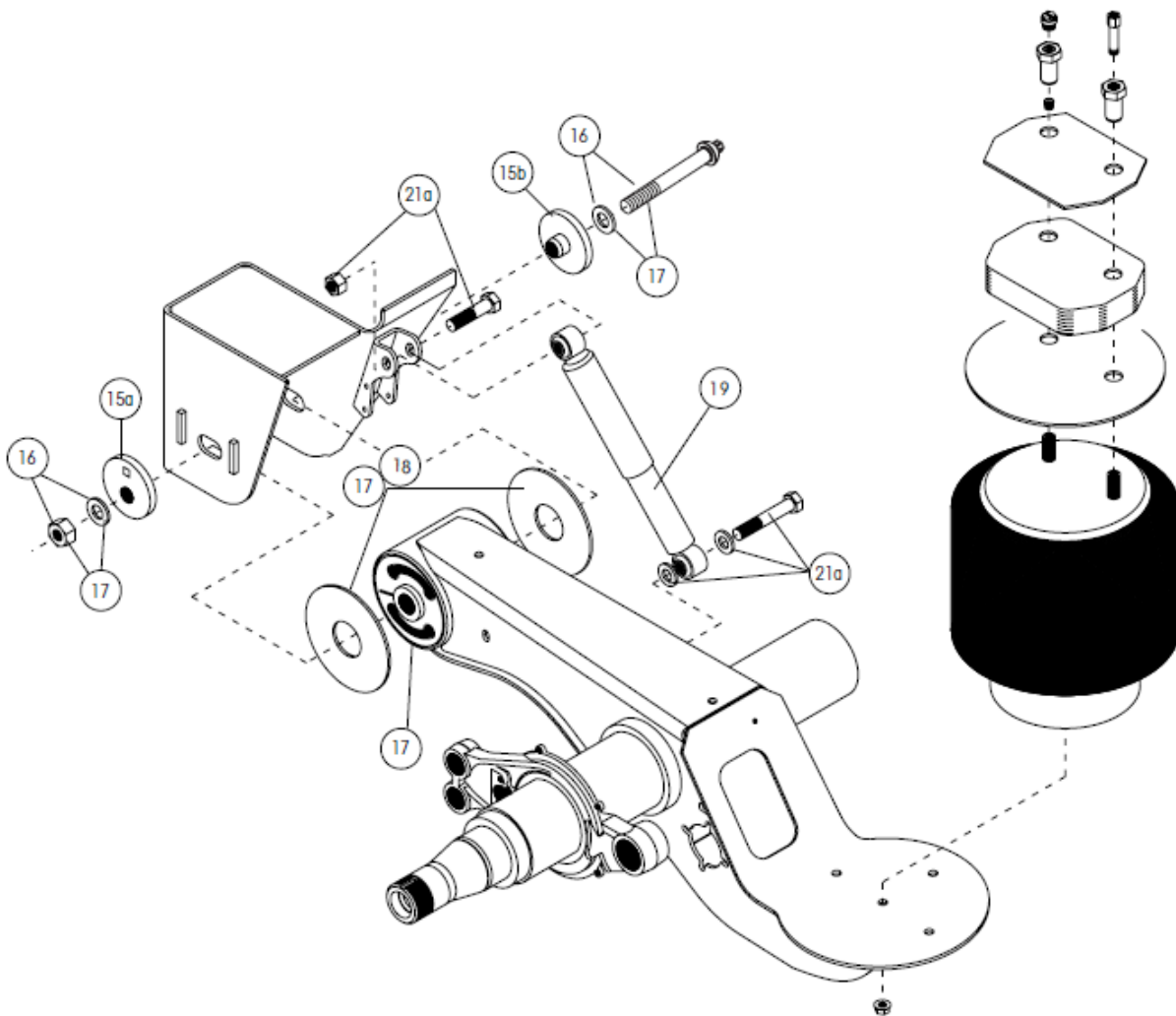
Hendrickson AAL Suspension Parts List



Wingless, weld-on frame bracket with QUIK-ALIGN®



Wingless, bolt-on frame bracket with QUIK-ALIGN®





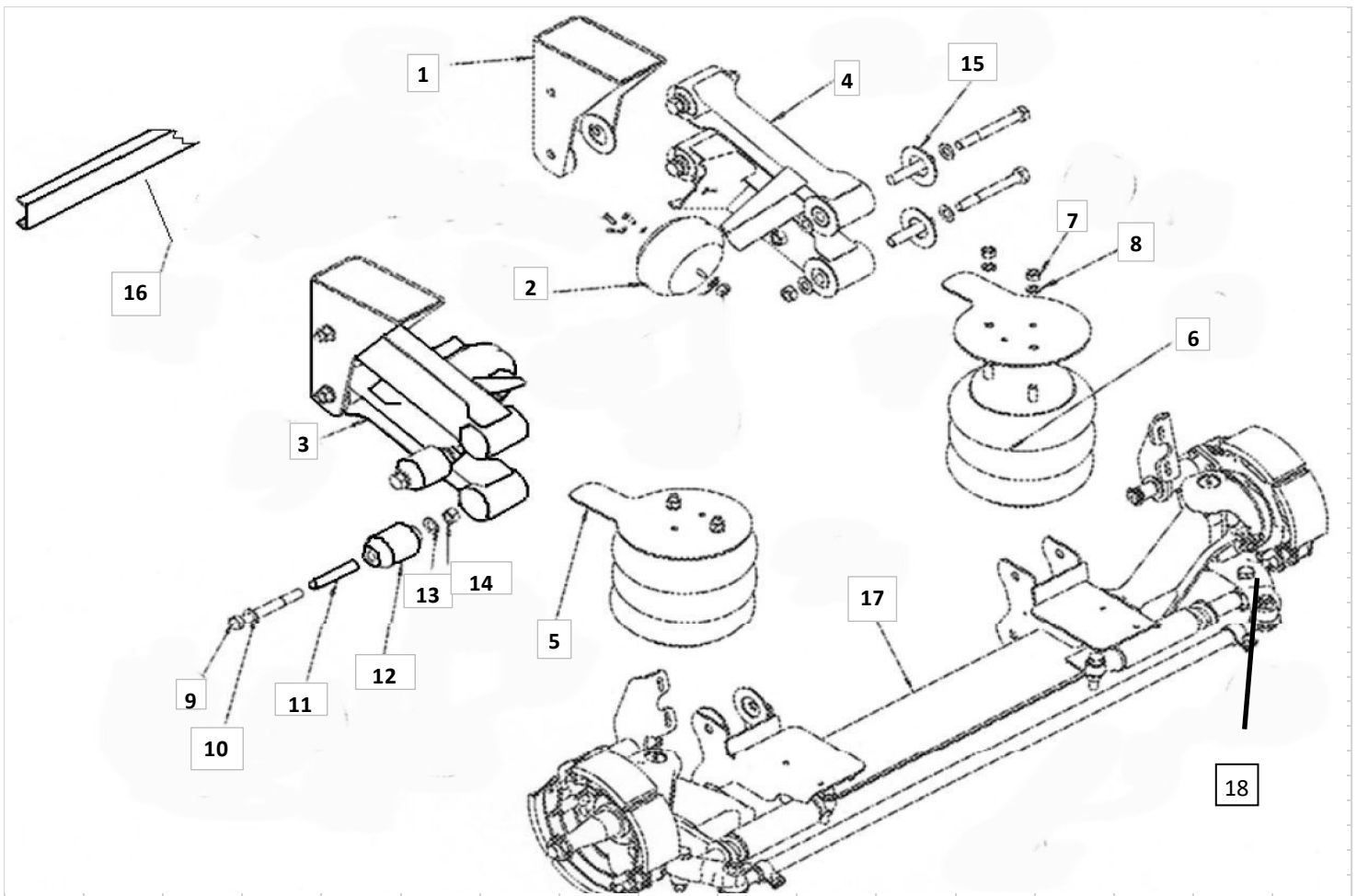
SUSPENSION PARTS CATALOG

Hendrickson AAL Suspension Parts List

NO.	Part Number	Description	Vendor Number	QTY Per Susp.
15a.	517-05020-20	Eccentric Align Collar	S-20925	2
15b.	517-05021-20	Concentric Align Collar	S-20924	2
16.	517-05679-20	Quick Align Pivot Bolt Kit	S-24679	2
17.	517-15822-20	Tri Functional Bushing Kit	S-24691	2
18.	517-05206-20	Bushing Tube Spacer	S-21099	4
19.	Front Mounted Shock Absorber			
	517-05216-20	6.5" -9" Ride Heights Ext Service	S-23651	2
	517-05808-20	12" Ride Height Ext. Service	S-24023	2
	517-05809-20	14"-19" Ride Heights Ext Service	S-23316	2
20.	Rear Mounted Shocks (Not Shown)			
	517-05346-20	6.0"-9" Ride Heights	S-20345	2
	517-25437-20	14"-17" Ride Heights	S-25437	2
21.	Non Stock	Non LDA Axle Pre 2012 Shock Bolt kit	S-24757/2	2
	Non Stock	LDA Axle After 2012 Shock Bolt Kit	S-31080/2	2
	Non Stock	Rear Mounted Shock Bolt Kit	S-21577/2	2

SUSPENSION PARTS CATALOG

HENDRICKSON HLN LIFT SUSPENSION





SUSPENSION PARTS CATALOG

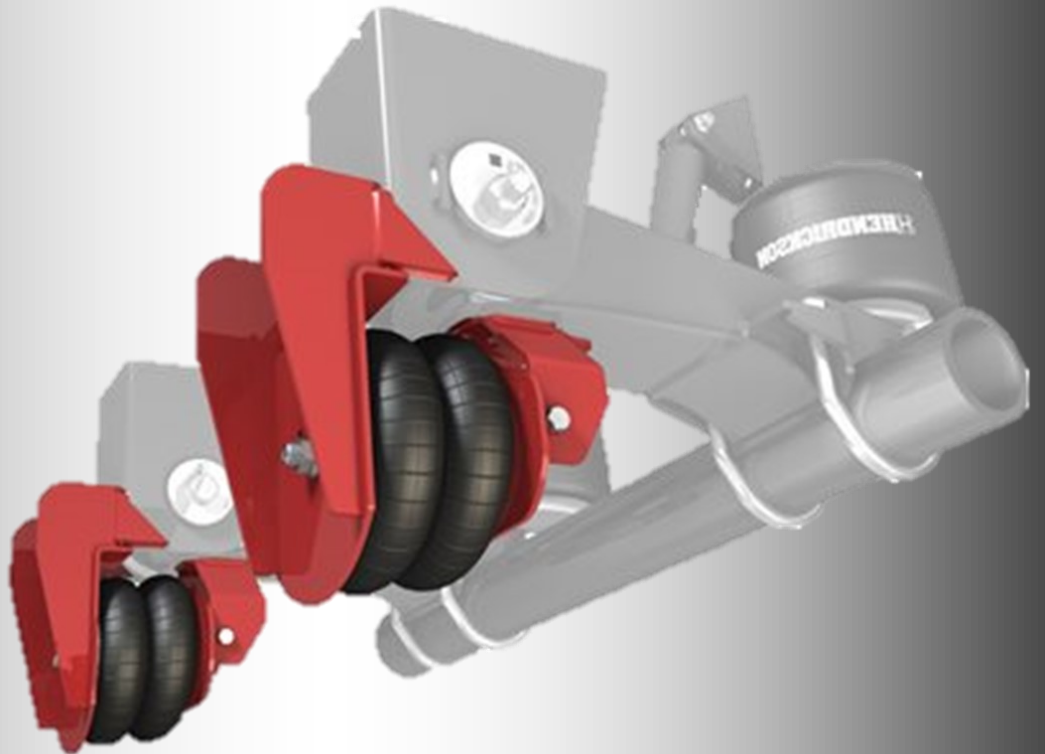
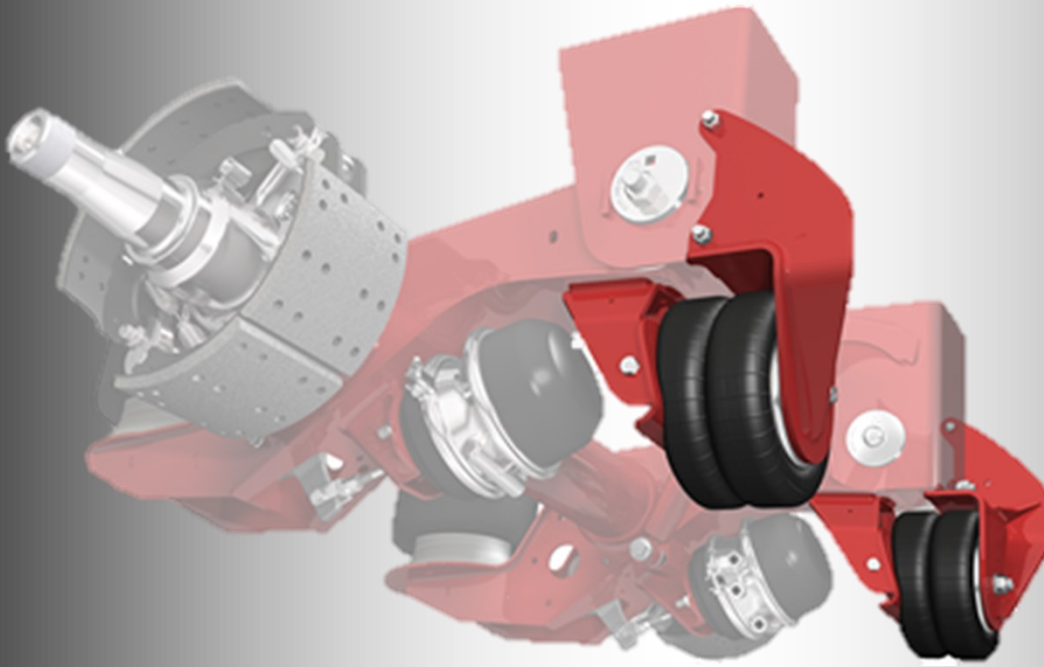
HENDRICKSON HLN LIFT SUSPENSION PARTS

NO.	Item #	Description	Vendor #
1	517-05018-20	DRIV. SIDE HANGER 21" B/O	R-001013-1
	517-05019-20	PASS. SIDE HANGER 21" B/O	R-001013-2
2	518-05019-20	UP BAG (LIFT)	B-14486
3	517-05045-20	LOWER BEAM ASSEMBLY NON-STEER (TRIANGLE)	D-14784-2
	517-05043-20	LOWER BEAM ASSEMBLY STEERABLE (Z-STYLE)	002006-1
4	517-05044-20	UPPER BEAM ASSEMBLY NON-STEER (TRIANGLE)	D-14784-1
	517-05042-20	UPPER BEAM ASSEMBLY STEERABLE (Z-STYLE)	002006-2
5	517-05036-20	DRIVER BAG TOP PLATE	001014-1
	517-05037-20	PASSENGER BAG TOP PLATE	001014-2
6	518-05020-20	DOWN BAG (RIDE)	1015
7	540-01000-12	BAG MOUNTING NUT 3/4" X 16	
8	540-03000-12	BAG NOUNTING 3/4" LOCK WASHER	
	517-05237-20	Complete Bushing kit	R002237
*9.	517-05237-20	7/8"-9 x7.5" Pivot Bolt	
*10/13	517-05240-20	7/8" Flat Washer	
*11.	517-05242-20	Bolt liner	
*12.	517-05241-20	Beam Bushing	
*14.	517-05243-20	Torque Nut	
*15.	517-05238-20	Nylon Wear Pad	
16	554-05014-00	3" Steel Cross Channel	
17	Call East MFG. For Assistance		
18	517-05046-20	Pivot King Pin Kit (Steerable)	8003200
* Included in Bushing Kit 517-05237-20			



SUSPENSION PARTS CATALOG

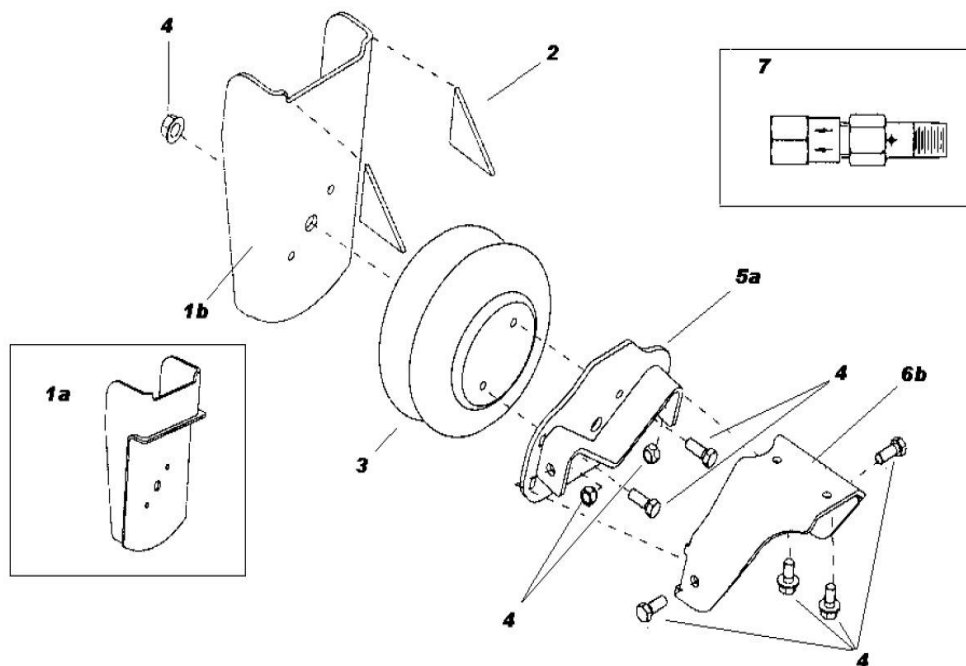
HENDRICKSON UBL Lift Kits (Under beam)



SUSPENSION PARTS CATALOG

HENDRICKSON UBL Lift Kits (Under beam)

HT Series, and Early Model Intraax Series (Pre 2016)

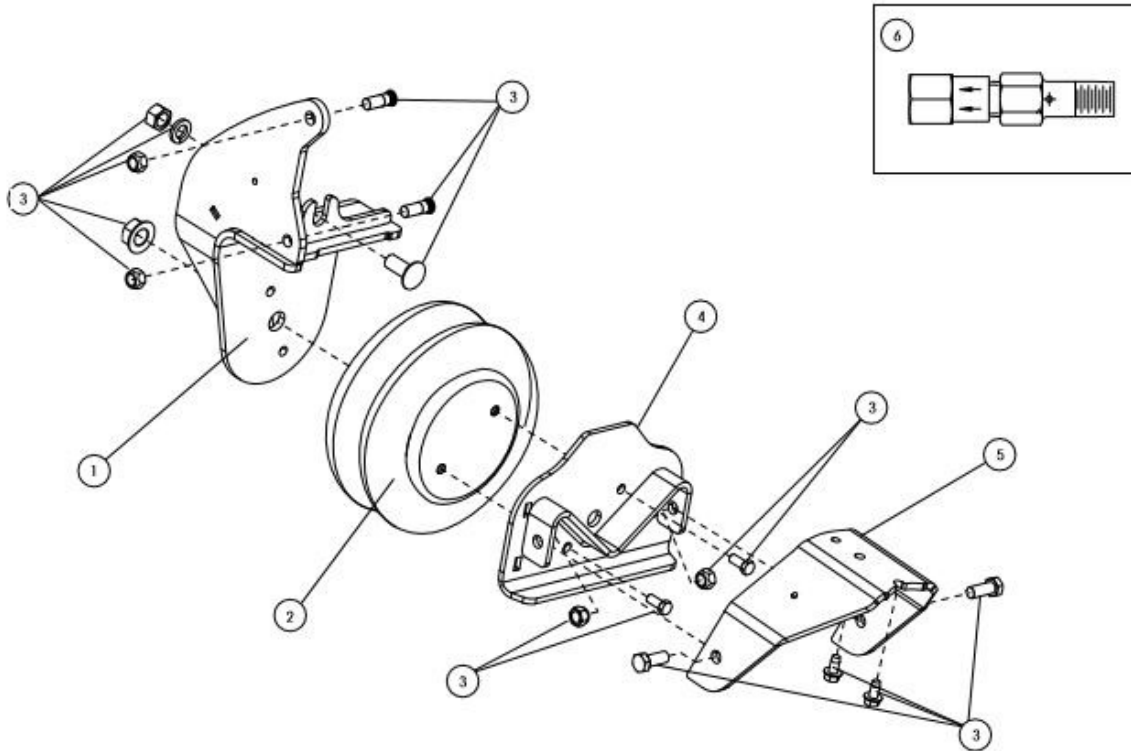


1a	517-15132-20	HT230, HT300, AAT Front Support Bracket UBL-001	D-23301
1b	517-15131-20	HT250, AAL Front Support Bracket UBL-002, UBL-003	D-24658
1c	C-28610-1	AANT Driver Side Front Support Bracket UBL-004	C-28610-1
1c	C-28610-2	AANT Passenger Side Front Support Bracket UBL-004	C-28610-2
2	517-15136-20	Gusset Support UBL-002, UBL-003	B-2901-37
3	518-05024-20	UBL/SBL Lift Bag (All Models)	C-23114
4	S-25614/2	Hardware Bolt Kit	S-24614/2
5a	517-15133-20	Lift Bag Support Plate All models Except AANT	B-27945
5b	C-28614	AANT Only Lift Bag Support Plate	C-28614
6a	517-05299-20	Beam Mounting Bracket HT230, HT300, AAT UBL-001,	C-23299
6b	517-15134-20	Beam Mounting Bracket HT250, HT300, AAL UBL-002, UBL-003	C-28537
6c	C-28617-1	Beam Mounting Bracket Roadside AANT UBL-004	C-28617-1
6c	C-28617-2	Beam Mounting Bracket Curbside AANT UBL-004	C-28617-2
7	510-05214-20	AAL, HT250 Crossover Check Valve	VS-27214
	517-15121-20	HT230, HT300, AAT Weld On Kit	UBL-001
	517-15122-20	Ht250, AAL Weld On Kit	UBL-002
	517-15123-20	AANT Weld On Kit	UBL-003
	517-15124-20	AANL Weld On Kit	UBL-004

SUSPENSION PARTS CATALOG

HENDRICKSON BOLT ON UBL Lift Kits (Under beam AFTER 2016)

AAT, AAL, AANT Series Suspension Kits (After 2016)



1a	C-33350-1C/2C	Front Air Bag Bracket AAT, AAL Primer UBL-101, UBL-201	
1b	C-33350-1GV/2GV	Front Air Bag Bracket AAT, AAL Galvanized UBL-101, UBL-201	
1c	C-32038-1C/2C	Front Air Bag Bracket AANT Primer UBL-401	
1d	C-32038-1GV/2GV	Front Air bag bracket AANT Galvanized UBL-402	
2	518-05024-20	UBL/SBL Lift Bag	S-23114
3	S-30634-1	Hardware Bolt Kit	
4a	517-15133-20	Lift Bag Plate AAT, AAL Models	S-27945
4b	C-28614	Lift Bag Plate AANT Models Only	
5a	C-32893C	Lift Pivot Bracket AAT Only UBL-101	
5b	C-32041C	Lift Pivot Bracket AAL Only UBL-201	
5c	C-28617-1/-2	Lift Pivot Bracket AANT model Only UBL-401	
6	510-05214-20	Hendrickson Check Valve	VS-27214



SUSPENSION PARTS CATALOG

HUTCH 900 –50K SINGLE POINT

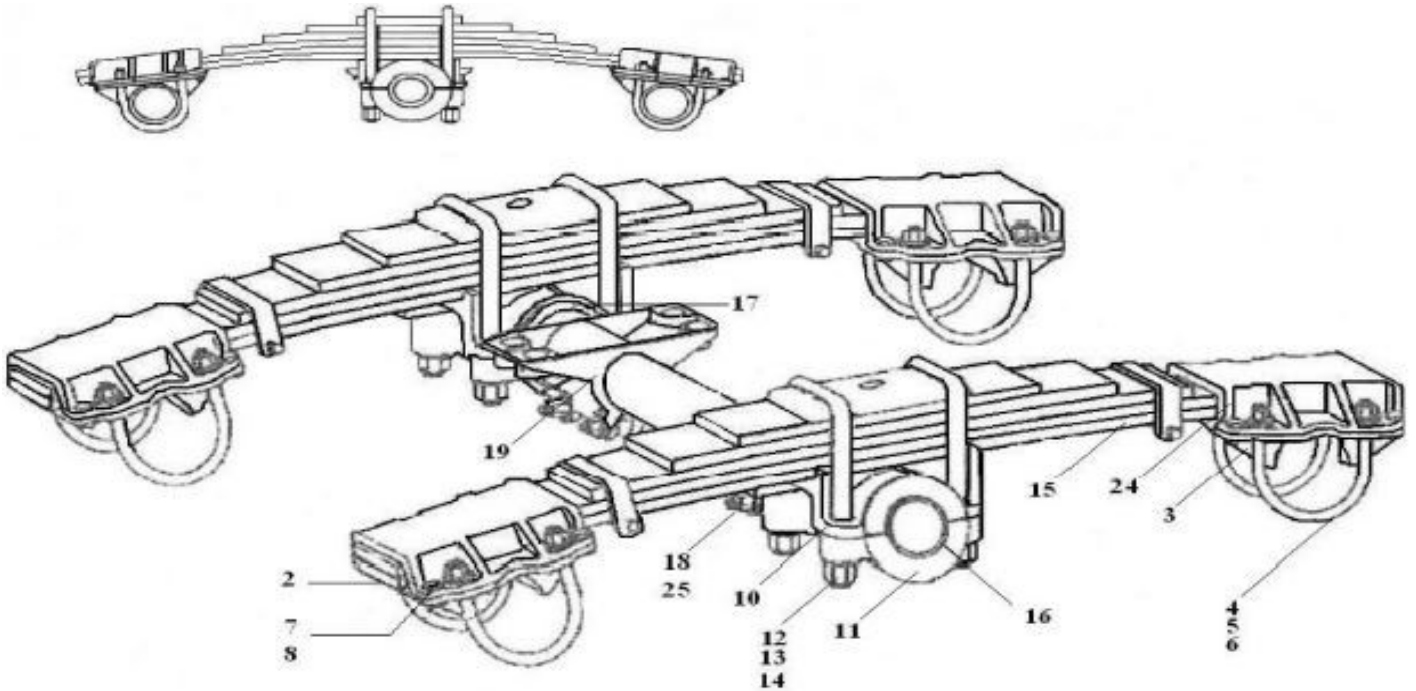


Hutchens Industries

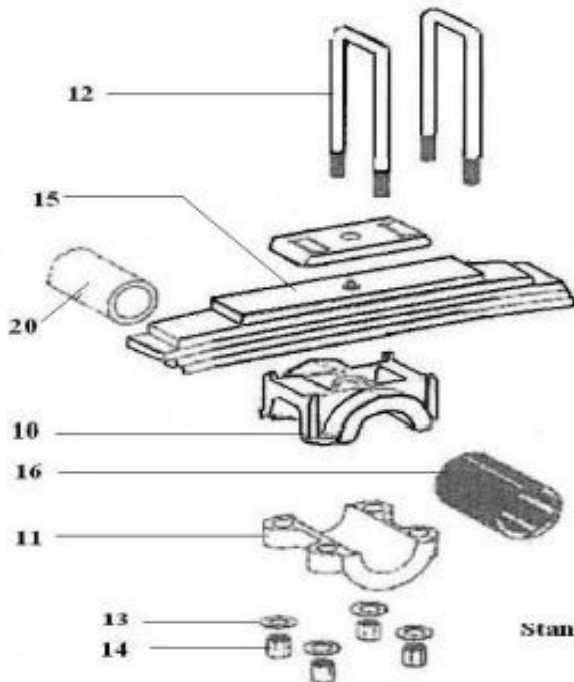


SUSPENSION PARTS CATALOG

HUTCH 900-50K SUSPENSION

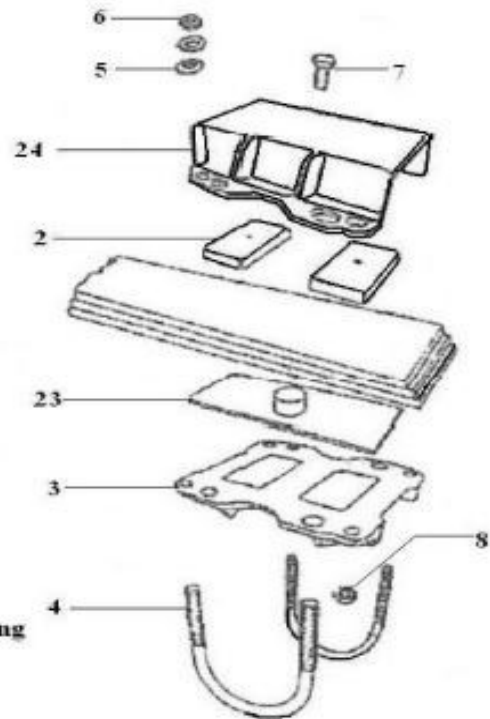


Trunion Center Assembly



Standard

Spring End Assembly



Overhung



SUSPENSION PARTS CATALOG

HUTCH 900-50K SUSPENSION Parts List

NO.	Part#	Qty	Item	Vendor#
2	515-05005-08	8	Axle Pad (Rubber)	81400
3	515-05002-08	4	Spring Seat (5" Round Axle)	9934-02
	515-05003-08	4	Spring Seat (5" Square Axle)	
4	515-05006-08	8	Axle U-Bolt (5" Round Axle)	10060-01
	515-05007-08	8	Axle U-Bolt (5" Square Axle)	10063-02
5	540-11000-12	16	3/4" USS Hex Nut	36316
6	540-02000-12	32	3/4" Flat Washer	33092
7	540-14000-10	16	5/8" USS Lock Nut	37272
8	540-15020-10	16	5/8" x 2" USS Hex Head Bolt	9293-00
9	515-05008-08	2	Trunnion Cast Top Plate	9640-00
10	515-05009-08	2	Trunnion Hub Top Half	891-00
11	515-05010-08	2	Trunnion Hub Lower Half	898-00
12	515-05011-08	4	1-1/8" x 13-15/16" Trunnion U-Bolt 3 & 7 Leaf Spring	9639-03
	515-05012-08	4	1-1/8" x 15-1/2" Trunnion U-Bolt 9 leaf Spring	9639-05
13	515-05011-16	8	1-1/8" SEA Washer	83700
14	540-06000-17	8	1-1/8" SEA High Nut (Grade 8)	
15	516-25258-08	2	3 Leaf Spring Assembly	12258-01
	516-25999-08	2	7 Leaf Spring Assembly	9999-00
	516-25101-08	2	9 Leaf Spring Assembly	10001-00
16	540-05015-08	2	Rubber Trunnion Bushing	89000
17	515-05019-08	2	1/4" x 6" Spacer	
18	540-05045-12	4	3/4" x 4-1/2" SAE Hex Head Bolt	
19	515-05018-08	2	Trunnion Hanger 8-1/2" Height	849-01
20	515-05016-08	1	3/4" Trunnion Tube	893-02
23	515-05004-08	4	Alignment Plates	1060800
24	515-05001-08	4	Spring End Cap	9937-00
25	540-01000-12	4	3/4" SAE Hex Nut	36366

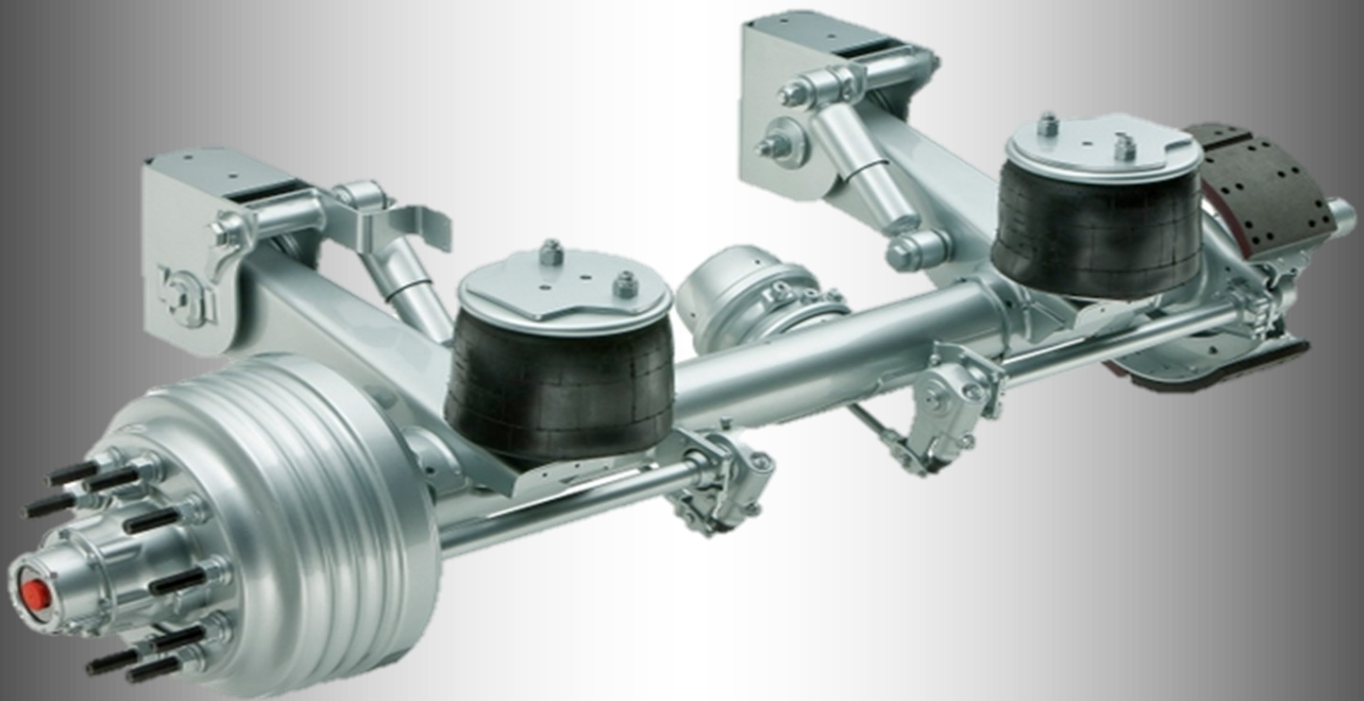


SUSPENSION PARTS CATALOG

MERITOR RFS 23T/ 25T SUSPENSIONS

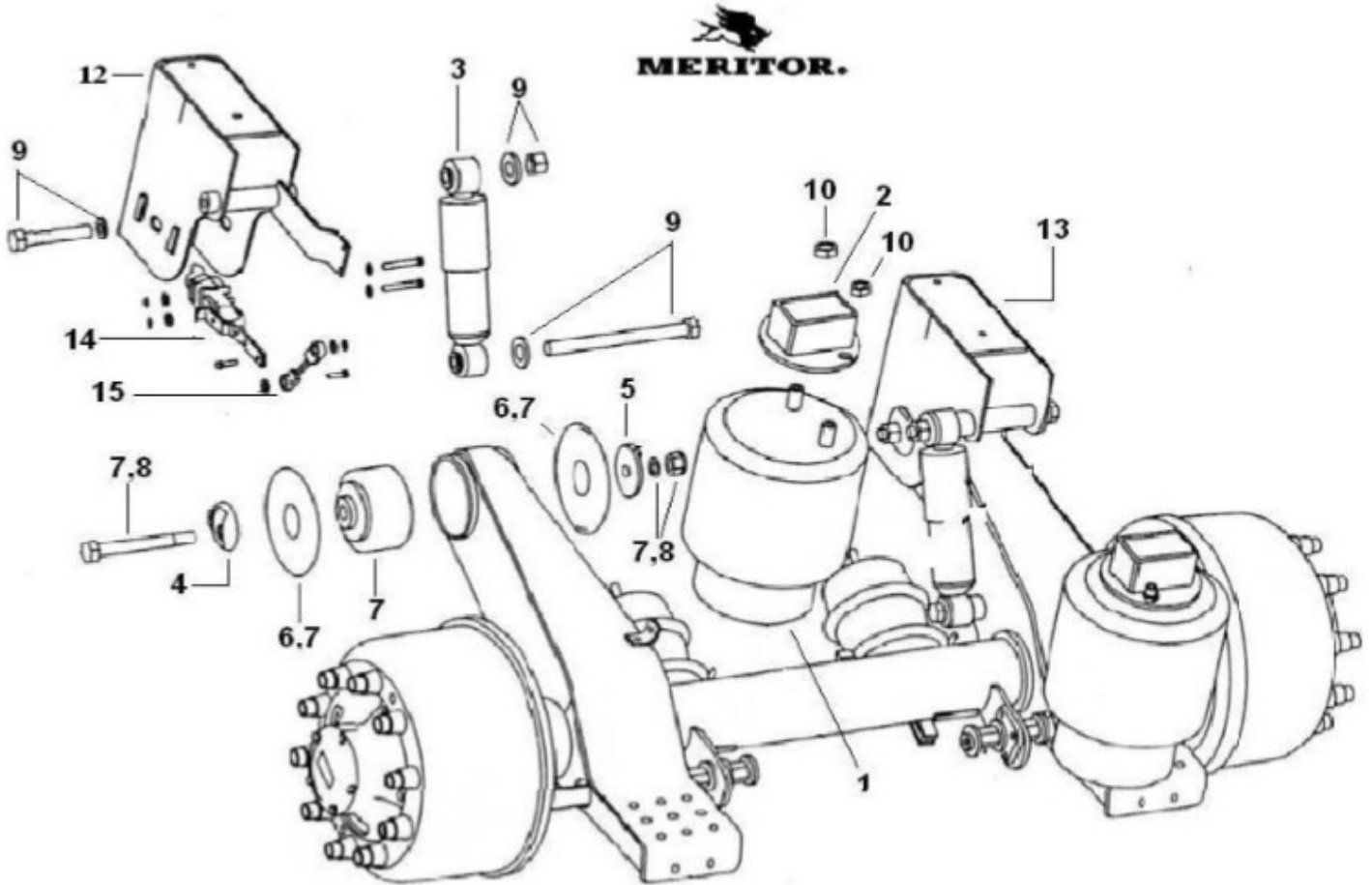


MERITOR

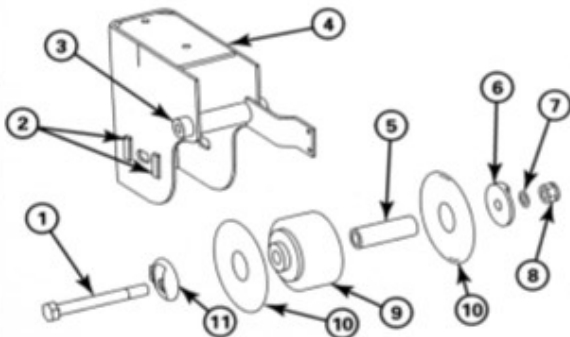


SUSPENSION PARTS CATALOG

MERITOR RFS 23T SUSPENSION



ITEM IDENTIFICATION ONLY FOR PIVOT & ALIGNMENT



- 1 7/8"-9 GRADE 8 PIVOT BOLT, LENGTH VARIES
- 2 ALIGNMENT BLOCKS
- 3 SHOCK MOUNTING TUBE
- 4 ROADSIDE HANGER ASSEMBLY
- 5 BUSHING INSERT
- 6 CONCENTRIC ALIGNMENT COLLAR
- 7 7/8" FLAT WASHER
- 8 7/8"-9 GRADE C LOCK NUT
- 9 MULTI-FUNCTIONAL BUSHING
- 10 WEAR WASHER
- 11 ECCENTRIC ALIGNMENT COLLAR



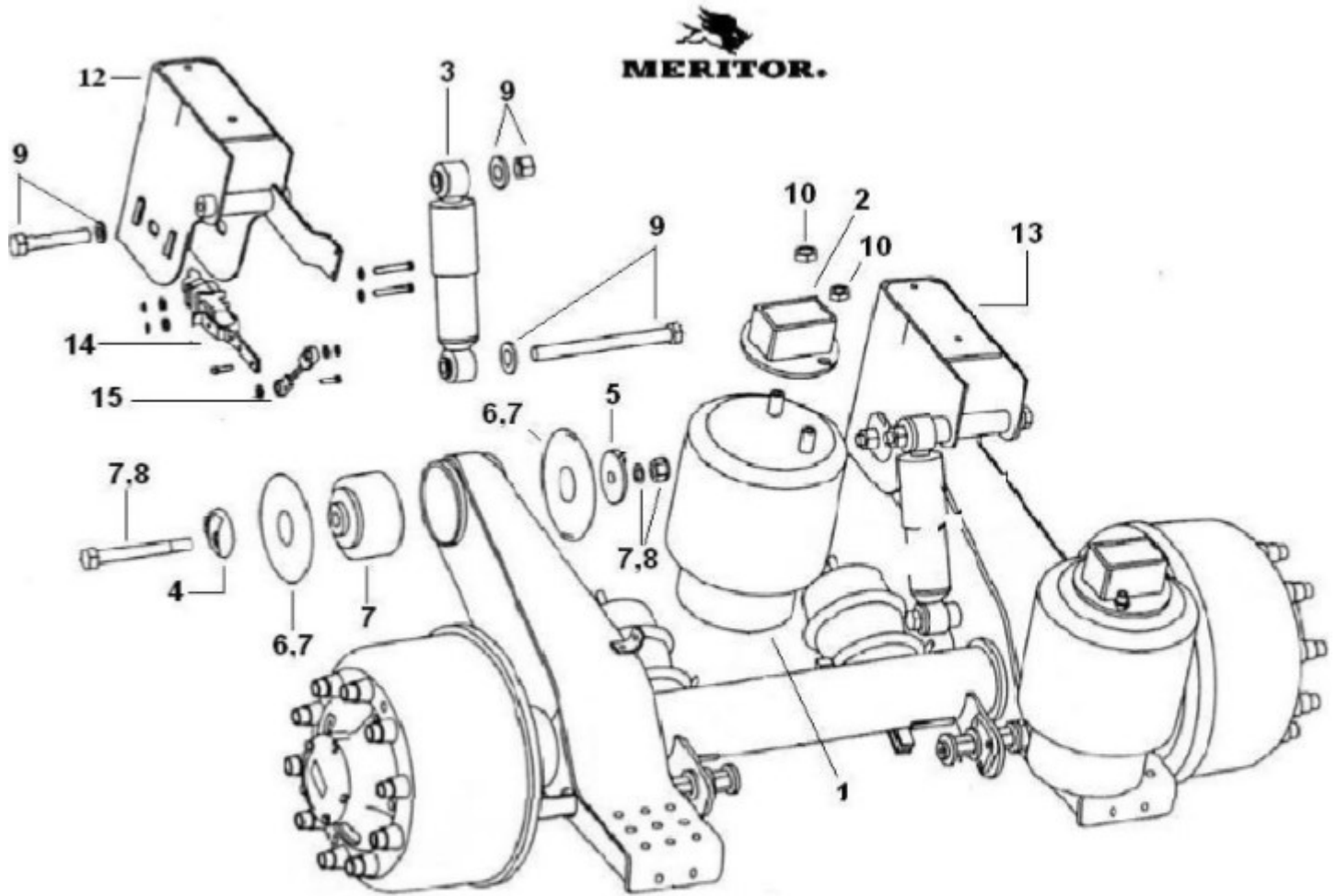
SUSPENSION PARTS CATALOG

MERITOR RFS 23T SUSPENSION PARTS LIST

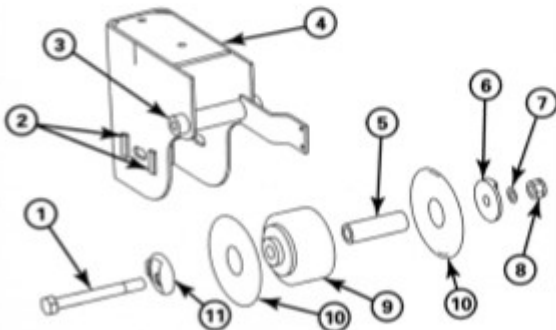
NO.	Part #	QTY	Item	Vendor #
1	518-05001-18	2	RFS 230 Air Spring	21227742 (FS 6231)
2	517-05007-18	2	14" Ride Height Pedestal	A3305-M-1651
	517-05002-18	2	16" Ride height Pedestal	A3150-W-2675
3	517-05001-18	2	Shock Absorber 14"-16" Ride Height	87015
4	517-05003-18	2	Eccentric Alignment Collar	21226276
5	517-05004-18	2	Concentric Alignment Collar	21226275
6	517-05005-18	4	Nylon Wear Washer	21226663
7	517-05006-18	2	Pivot Bushing Kit W/ Pivot Bolt Kit	11201
8	517-05013-18	2	Alignment Pivot Bolt Kit	11202
9	517-05011-18	2	Shock Bolt Kit	11200
10	517-05012-18	2	Air Spring Bolt Kit	11203
12	517-15723-18	1	14" Ride Height Bolt On Hanger Roadside/LH	A-3152-Y-1169
	517-15727-18	1	15" Ride height Bolt On Hanger Roadside/LH	A1-3152-Y-1169
	517-15725-18	1	16" Ride height Bolt On Hanger Roadside/LH	A2-3132-Y-1169
	517-15729-18	1	17" Ride height Bolt On Hanger Roadside/LH	A3-3132-Y-1169
13	517-15724-18	1	14" Ride height Bolt On Hanger Curbside/RH	A-3152-X-1168
	517-15728-18	1	15" Ride height Bolt On Hanger Curbside/RH	A1-3152-X-1168
	517-15726-18	1	16" Ride height Bolt On Hanger Curbside/RH	A2-3152-X-1168
	517-15730-18	1	17" Ride height Bolt On Hanger Curbside/ RH	A3-3152-X-1168
14	510-15001-18	1	Suspension Height Control Valve W/Auto Dump	A7806Z1014
	510-25007-14	1	Suspension Height Control Valve (Haldex)	90554183
15	510-15188-14	1	Height Control Valve Linkage Arm Assembly	48100225

SUSPENSION PARTS CATALOG

MERITOR RFS 25T SUSPENSION



ITEM IDENTIFICATION ONLY FOR PIVOT & ALIGNMENT



- 1 7/8"-9 GRADE 8 PIVOT BOLT, LENGTH VARIES
- 2 ALIGNMENT BLOCKS
- 3 SHOCK MOUNTING TUBE
- 4 ROADSIDE HANGER ASSEMBLY
- 5 BUSHING INSERT
- 6 CONCENTRIC ALIGNMENT COLLAR
- 7 7/8" FLAT WASHER
- 8 7/8"-9 GRADE C LOCK NUT
- 9 MULTI-FUNCTIONAL BUSHING
- 10 WEAR WASHER
- 11 ECCENTRIC ALIGNMENT COLLAR



SUSPENSION PARTS CATALOG

MERITOR RFS 25T SUSPENSION PARTS LIST

NO.	Part #	QTY	Item	Vendor #
1	518-05002-18	2	RFS 250 Air Spring (Firestone-6258)	212278922
2	517-05007-18	2	14" Ride Height Pedestal	A3305-M-1651
	517-05002-18	2	16" Ride height Pedestal	A3150-W-2675
3	517-05001-18	2	Shock Absorber 14"-16" Ride Height	87015
4	517-05003-18	2	Eccentric Alignment Collar	21226276
5	517-05004-18	2	Concentric Alignment Collar	21226275
6	517-05005-18	4	Nylon Wear Washer	21226663
7	517-05008-18	2	Pivot Bushing Kit W/ Pivot Bolt Kit	11205
8	517-05014-18	2	Alignment Pivot Bolt Kit	11204
9	517-05011-18	2	Shock Bolt Kit	11200
10	517-05012-18	2	Air Spring Bolt Kit	11203
12	517-15623-18	1	14" Ride Height Bolt On Hanger Roadside/LH	A-3152-V-1166
	517-15627-18	1	15" Ride height Bolt On Hanger Roadside/LH	A1-3152-V-1166
	517-15625-18	1	16" Ride height Bolt On Hanger Roadside/LH	A2-3152-V-1166
	517-15629-18	1	17" Ride height Bolt On Hanger Roadside/LH	A3-3152-V-1166
13	517-15624-18	1	14" Ride height Bolt On Hanger Curbside/RH	A-3152-W-1167
	517-15628-18	1	15" Ride height Bolt On Hanger Curbside/RH	A1-3152-W-1167
	517-15625-18	1	16" Ride height Bolt On Hanger Curbside/RH	A2-3152-W-1167
	517-15630-18	1	17" Ride height Bolt On Hanger Curbside/ RH	A3-3152-W-1167
14	510-15001-18	1	Suspension Height Control Valve W/Auto Dump	A7806Z1014
	510-25007-14	1	Suspension Height Control Valve (Haldex)	90554183
15	510-15188-14	1	Height Control Valve Linkage Arm Assembly	48100225

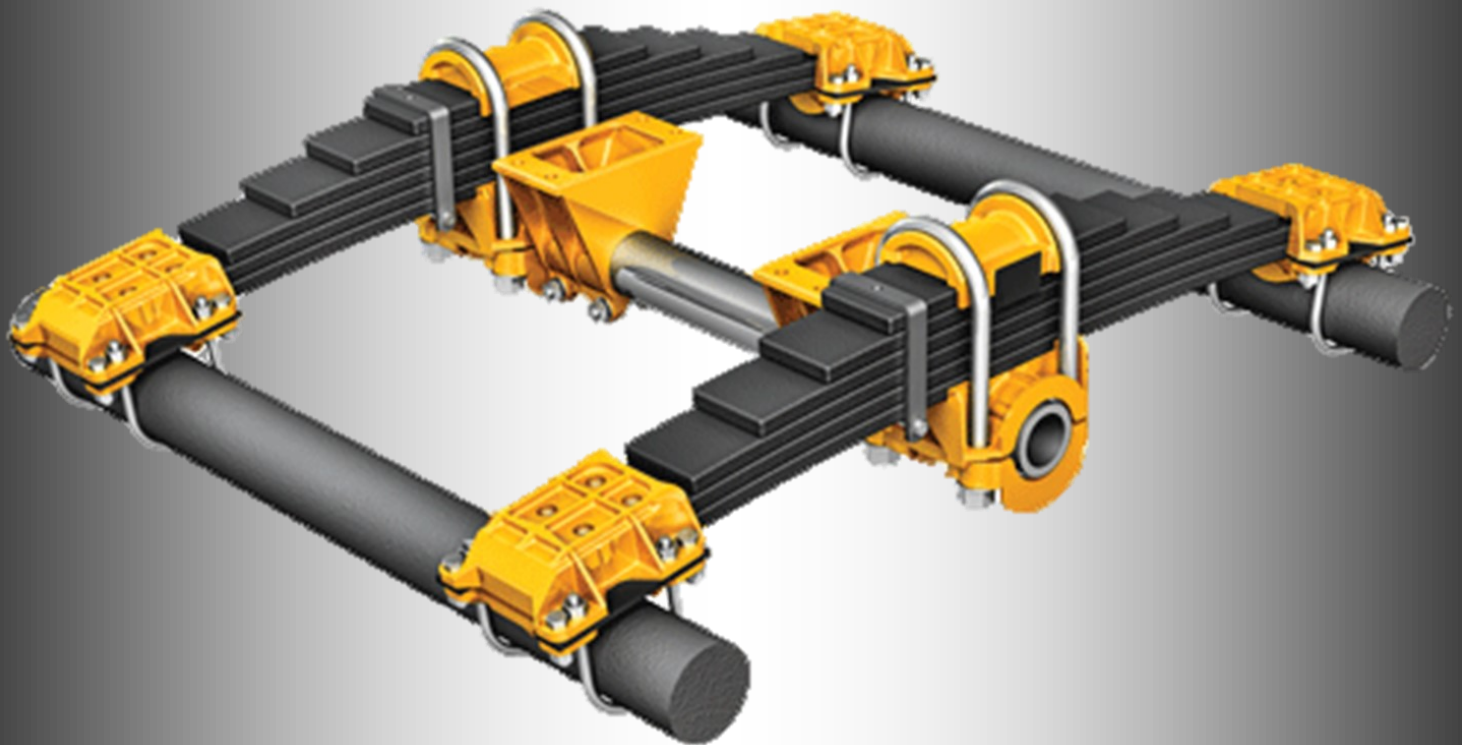


SUSPENSION PARTS CATALOG

NEWAY TS-4440, 5500, 5600 SERIES

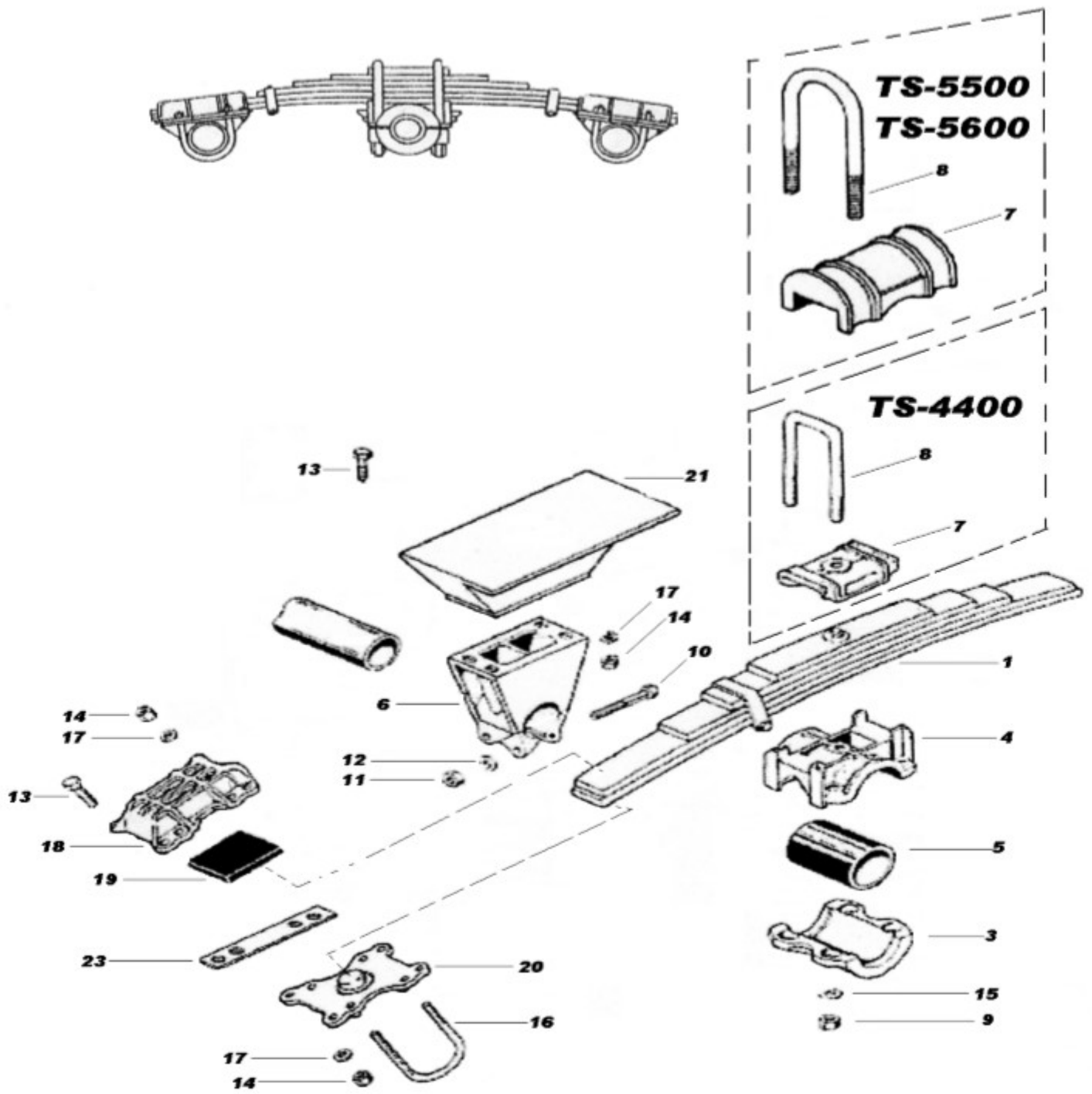
NEWAY

SAF-HOLLAND Group



SUSPENSION PARTS CATALOG

NEWAY TS-4440, 5500, 5600 SERIES





SUSPENSION PARTS CATALOG

NEWAY TS-4440, 5500, 5600 SERIES Parts List

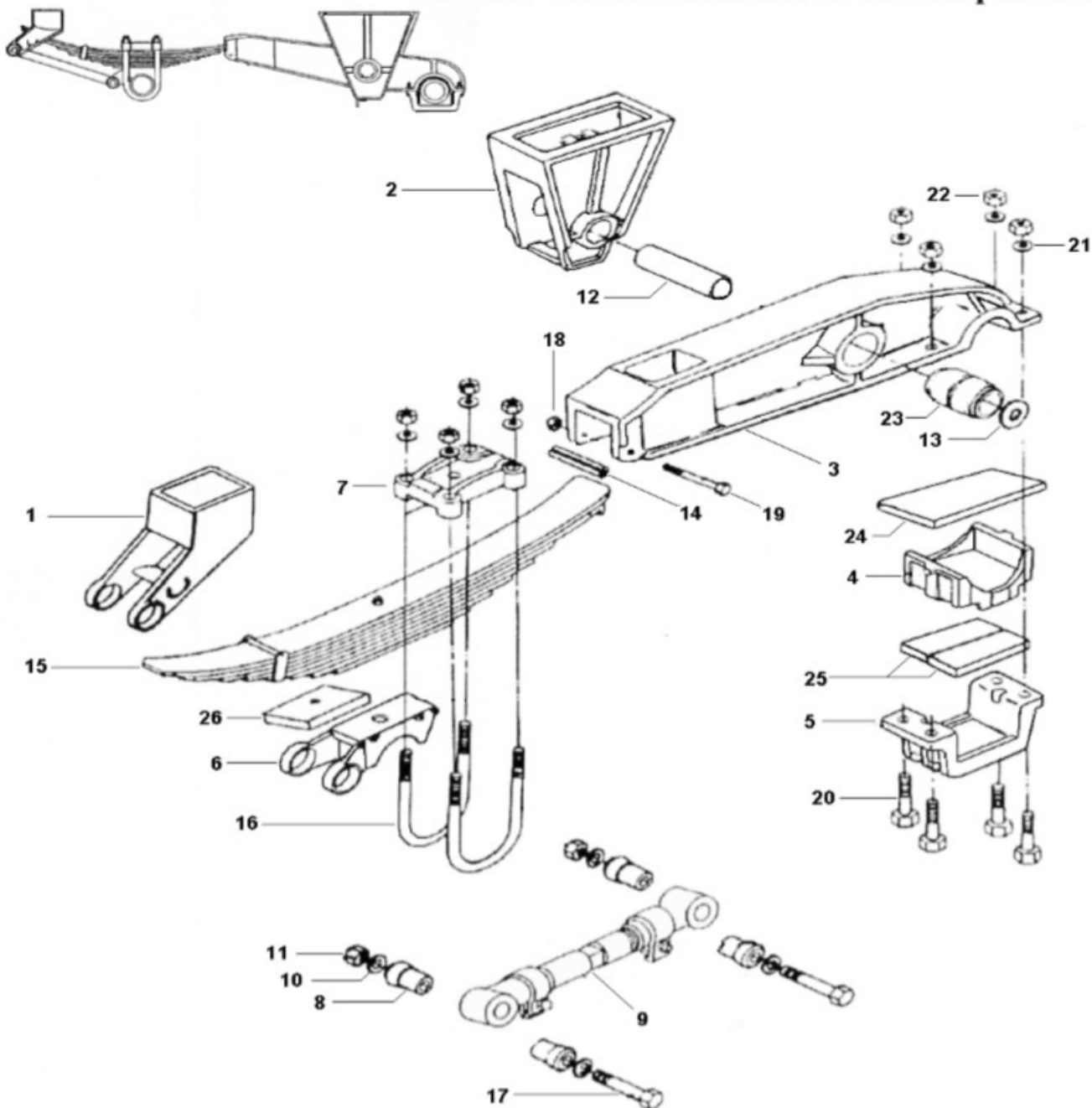
NO.	Part #	QTY.	Item	Vendor #
1	516-15272-14	2	5"Wide, 5 Leaf Main Spring (TS-4400)	91557272
	516-15273-14	2	5" wide, 5 Leaf Main Spring (TS-5500)	91557273
	516-15277-14	2	5"Wide, 7 Leaf Main Spring (TS-5600)	91557277
2	515-05027-14	1	4"OD X 1/2" Wall Trunnion Tube	91038004
3	515-05028-14	2	Trunnion Hub Lower Half	91010047
4	515-05029-14	2	Trunnion Hub Upper Half	91001051
5	515-05030-14	2	Trunnion Rubber Bushing	91008022
6	515-05031-14	2	Trunnion Clamp Casting	91001058
7	515-05046-14	2	Top Spring Plate (TS-4400) Square	91001058
		2	Top Spring Plate (Ts-5500, TS-5600) Round	91001022
8	515-05048-14	4	1-1/8" x 11" U-Bolt (TS-4400)	90042796
	515-05033-14	4	1-1/8" x 14" U-Bolt (TS-5500, TS-5600)	EU8186-16
9	515-05035-14	8	1-1/8" Hex Lock Nut	93400506
10	540-05045-12	4	3/4" x 4-1/2" Hex Head Bolt	
11	540-14000-12	4	3/4" USS Hex Lock Nut	
12	540-12000-12	4	3/4" USS Flat Washer	
13	540-15025-10	16	5/8" x 2-1/2" USS Hex Head Bolt	
14	540-14000-10	40	5/8" USS Hex Lock Nut	
15	515-05011-14	8	1-1/8" Flat Washer	91001034
16	515-05036-14	8	5/8" x 7-1/2" Axle U-Bolt	90041067
17	540-12000-10	40	5/8" USS Flat Washer	
18	515-05053-14	4	Spring End Cap	91010043
19	515-05039-14	4	Spring End Cap Rubber Pad	91028152
20	515-05062-14	4	Axle Locator Plate TS	91031055
21	515-05041-14	2	Frame Bracket Mount	91018008
23	515-05054-14	8	Spacer Plate	91031570
			Suspension Kits Without Axle Assemblies	
	515-25444-14	1	TS-4400 Round Axle Suspension Kit	TS-4400-4
	515-25550-14	1	TS-5500 Round Axle Suspension Kit	TS-5500-4
	515-25560-14	1	TS-5600 Round Axle Suspension Kit	TS-5600-4

SUSPENSION PARTS CATALOG

EAST—RHC 50K DUMP SUSPENSION

RHC DUMP SUSPENSION

Designed uniquely for dump suspensions.
Combines outstanding dumping stability
and low maintenance cost in one suspension.





SUSPENSION PARTS CATALOG

EAST—RHC 50K DUMP SUSPENION PARTS LIST

NO.	Part #	QTY	Item #	Vendor #
1	515-05101-05	2	Front Spring Hanger	CS-05600
2	515-05633-05	2	Trunnion Hanger	CS-30010
3	515-15129-05	2	Equalizing Beam (With Installed Bushing)	
4	515-05655-05	2	Axle Adapter 5' round Axle (Obsolete)	
5	515-05666-05	2	Rear Axle Connection Cap	CS-5666
6	515-15677-05	2	Axle Spring Seat Adapter	
7	515-05688-05	2	Spring Top Plate	
8	515-05515-05	8	Torque Arm Bushing (Kit 515-15494-05)	E-1982
9	515-15110-05	2	Adjustable Torque Arm	E-2295
10	515-05305-05	8	Compression Washer (Kit 515-15494-05)	SR1009
11	540-14000-16	8	Torque Arm Lock Nut (Kit 515-15494-05)	37278
12	515-05766-05	2	Trunnion Beam Shaft (Kit 515-15492-05)	
13	545-05015-00	4	Weld On Retainer Washer 3/8" (Kit 515-15492-05)	
14	515-05777-06	2	Spring Roller Pipe	
15	516-25092-04	2	9 Leaf Main Spring	TRA 3004
16	515-15035-05	4	Axle U-Bolts With Hardware	E-UB5165-14
17	540-15065-16	4	Grade 8 Connection Bolt (Kit 515-15494-05)	13476
18	540-03000-12	2	Spring Roller Lock Nut	
19	540-05055-07	2	Spring Roller Bolt	
20	540-14000-12	8	Axle Connection Bolt (Kit 515-15491-05)	
21	515-05209-05	8	Axle Connection Washer (Kit 515-15491-05)	
22	515-05208-05	8	Axle Connection Lock Nut (Kit 515-15491-05)	
23	515-05500-05	2	Trunnion Beam bushing (Kit 515-15492-05)	486-24
24	515-05505-05	2	Axle Wrap Pad (Kit 515-15491-05)	250-166
25	515-05510-05	4	Axle Cap Rubber Pad (Kit 515-15491-05)	245-166
26	515-05690-05	2	1-1/4" Axle Spacer (Obsolete)	

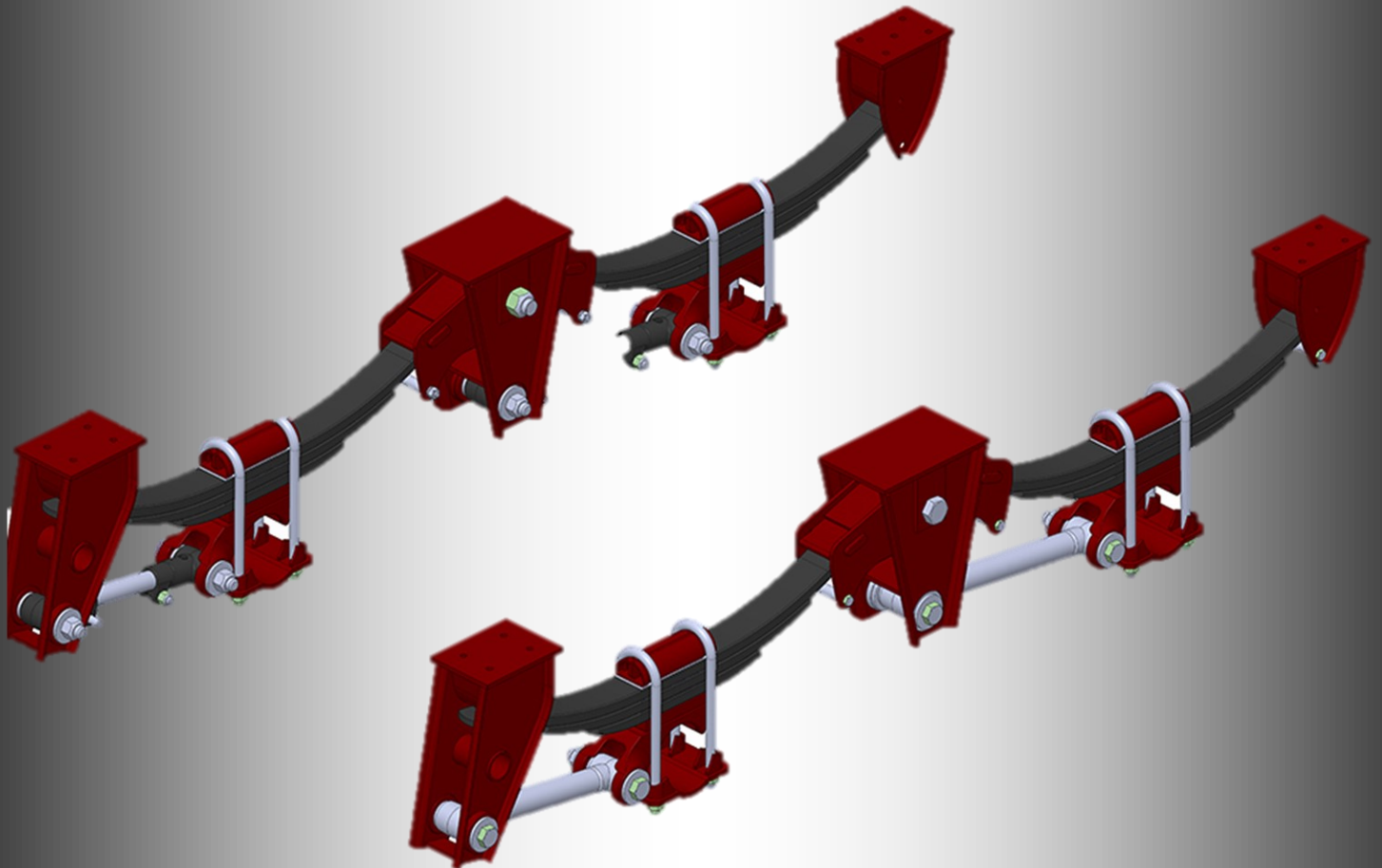
515-15493-05 Complete Re-bushing Kit (Includes Kit # 515-15492-05, 515-15494-05, and 515-15491-05) Listed Above



SUSPENSION PARTS CATALOG

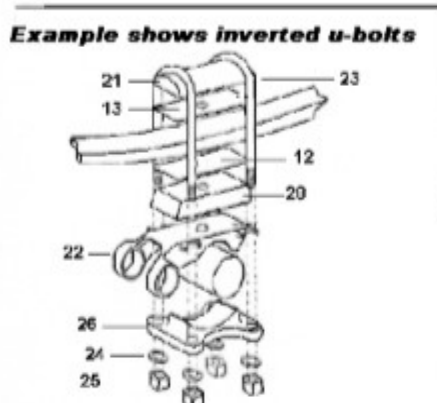
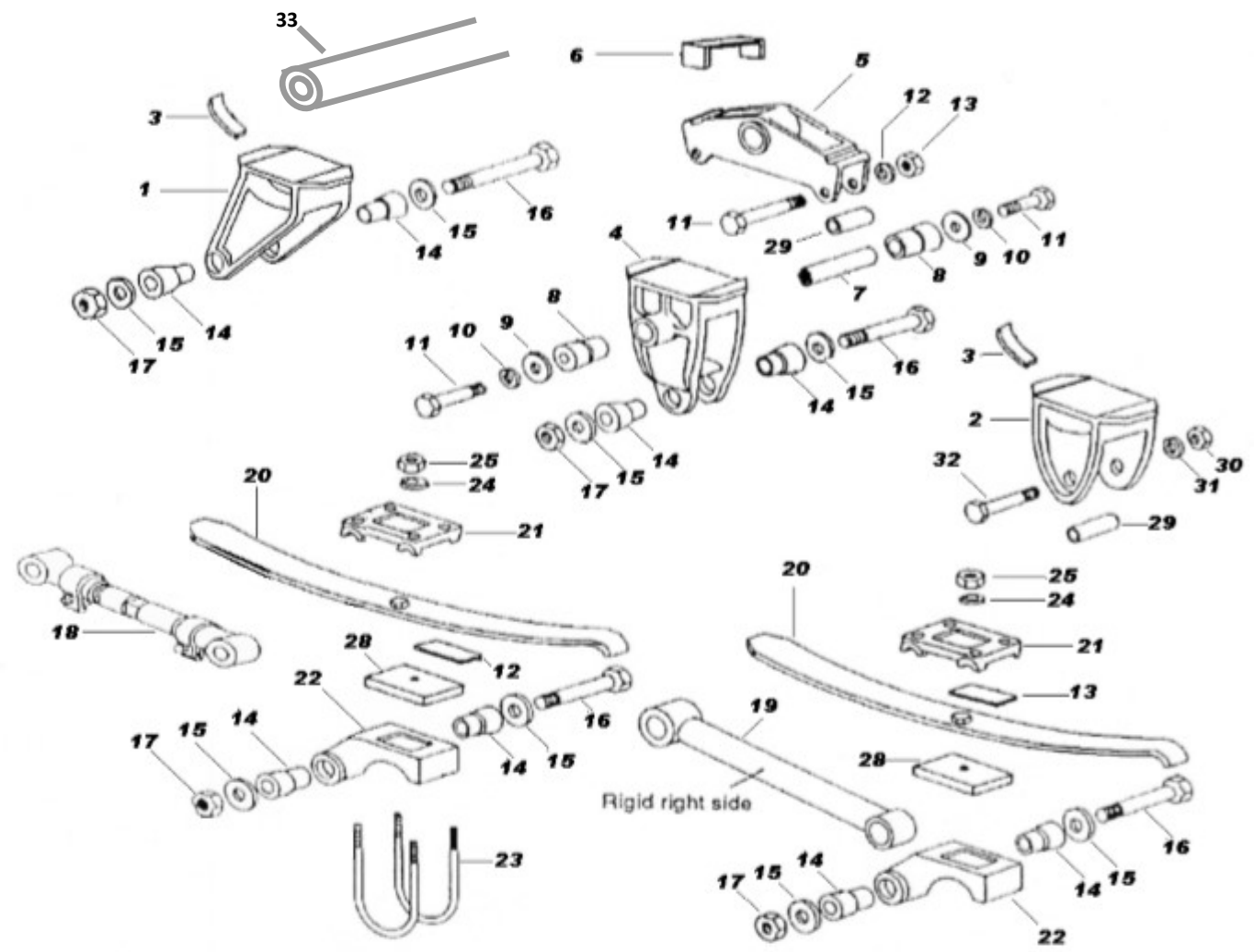
REYCO/GRANNING 21B SPRING RIDE

Reyco.
Granning



SUSPENSION PARTS CATALOG

REYCO/GRANNING 21B SPRING RIDE





SUSPENSION PARTS CATALOG

REYCO/GRANNING 21B SPRING RIDE PARTS LIST

NO.	Part#	QTY	Item	Vendor
1	515-05000-18	1	Front Hanger Passenger (2002 and Prior)	T5562
	515-05001-18	1	Front Hanger Driver (2002 and Prior)	T5563
1a	515-05100-18	2	Front Hanger Universal (After 2002-Current)	20478-01
2	515-05002-18	1	Rear Hanger Passenger (2002 and Prior)	T5566
	515-05003-18	1	Rear Hanger Driver (2002 and Prior)	T5565
2a	515-05101-18	1	Rear Hanger Universal (2002-Current)	20476-01
3	030-10018-00	4	Spring Hanger Wear Pad	
4	515-05004-18	2	Center Spring Hanger	T5564
5	515-05005-18	2	Spring Hanger Equalizer	T5427
6	030-10019-00	4	Equalizer Reinforcement Caps	
	<u>515-15506-18</u>		<u>Equalizer Bushing Kit</u>	<u>TK12506</u>
7	515-05025-18	2	Equalizer Shaft	
8	515-05024-18	4	Equalizer Bushing	T5524
9	515-05022-18	4	Equalizer Compression Washer	
10	540-03000-12	4	3/4" Lock Washer	
11	515-05023-18	4	Equalizer Bolts	
12	516-05002-18	4	Stainless Wear Pad (Obsolete)	
13	516-05001-23	4	wear Pad With Holes (Obsolete)	
	<u>515-15319-18</u>		<u>Torque Arm Bushing Kit</u>	<u>TK7319</u>
14	515-05019-18	16	torque Arm Bushing	
15	515-05007-18	16	Torque Arm Compression Washer	
16	515-0502018	8	Torque Arm Bolt	
17	515-05021-18	8	Torque Arm Lock Nut	
18	515-05009-18	1	Short Adjustable Torque Arm (Front Left)	15172-01
	515-05010-18	1	Long Adjustable Torque Arm (Rear Left)	15173-01
19	515-05011-18	1	Short Adjustable Torque Arm (Front Right)	15178-01
	515-05008-18	1	Long Ridged Torque Arm (Rear Right)	15179-01



SUSPENSION PARTS CATALOG

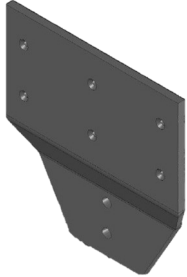
REYCO/GRANNING 21B SPRING RIDE PARTS LIST Cont.

NO.	Part#	QTY	Item	Vendor
20	516-25303-23	4	Single Leaf HD Spring 49" Axle Spacing	TRA 038
	516-05297-18	4	Single Leaf HD Spring 44" Axle Spacing	TRA 035
	516-25564-18	4	3 Main 8 Leaf Multi Spring	T3564
21	515-05026-18	4	Top Plate 5" U-Bolt Under Mount	T7175
	515-05040-18	4	Top Plate inverted U-Bolt mount	08677-01
22	515-05032-18	4	3/4" Axle Seat (Multi Leaf Spring)	09730-01
	515-05033-18	4	3-1/4" Axle Seat (Single Leaf Spring)	08060-01
23	515-05035-18	4	17-1/2" x 5-1/4" x 7/8" U-Bolt Kit Undermount	08523-01
	515-05045-18	4	17-1/2" X 3" x 7/8" Inverted U-Bolt Kit (Multi Spring)	UB5161-18
	515-05114-18	4	14" X 3' X 3/4" Inverted U-Bolt (HD Single Leaf Spring)	8R783146
			All U-Bolt Kits include items 24 and 25	
26	515-05043-18	4	Bottom Plate Inverted U-Bolt 5" Round Axle	09139-01
28	515-05031-18	2	2-1/2" Axle Seat Spacer	T7674
	515-05030-18	2	2" Axle Seat Spacer	T7655
	515-05029-18	2	1-1/2" Axle Seat Spacer	24082-01
	515-05020-18	2	1" Axle Seat Spacer	24081-01
	515-05027-18	2	1/2" Axle Seat Spacer	T7555
29	515-15511-18	3	Spring Roller Kit (Includes items 29-32)	TK19011
33	554-05083-00	1	Hanger Pipe 1-1/2" X 34" Center Hanger 96"W	
	554-05083-01	1	Hanger Pipe 1-1/2" X 40" Center Hanger 102"W	
	554-05083-02	2	Hanger Pipe 1-1/2" X 48-5/8" Front and Rear Hangers	

SUSPENSION PARTS CATALOG

REYCO 21B SPRING RIDE Mounting Plates

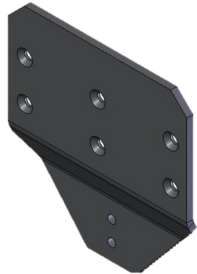
ALUMINUM FRAME MOUNTING PLATES



030-10013-01

Front Mounting Plate

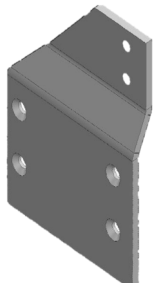
Previous Version RHC / Reyco Mounting Plate, 6 Main Mounting Holes 90 deg Corners.



030-10014-01

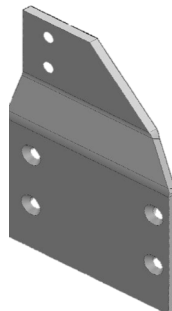
Center Mounting Plate

Previous Version RHC / Reyco Mounting Plate, 6 Main Mounting Holes, Notched Corners.



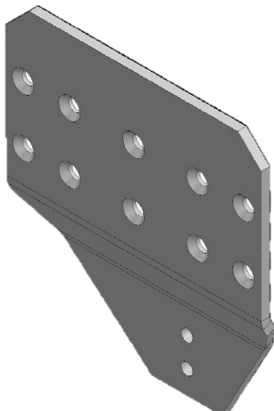
030-10015-01

D/S Rear Mounting Plate



030-10016-01

P/S Rear Mounting Plate

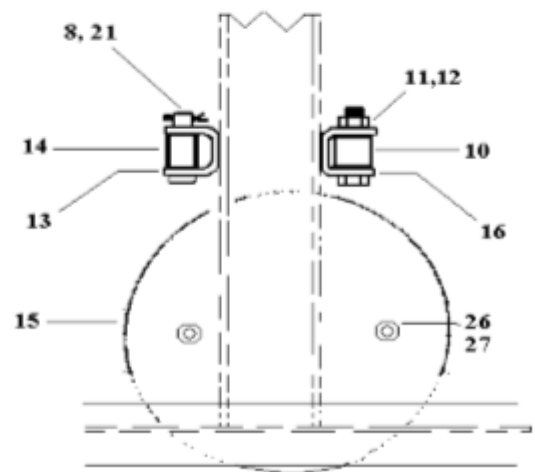
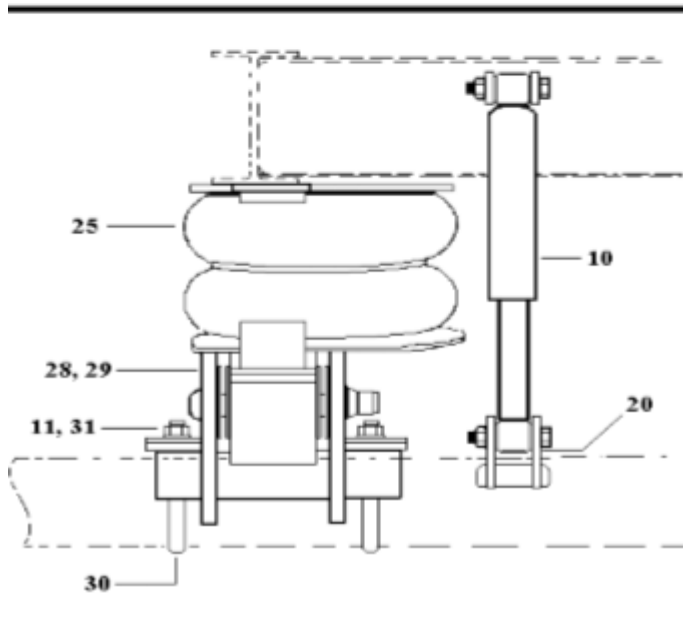
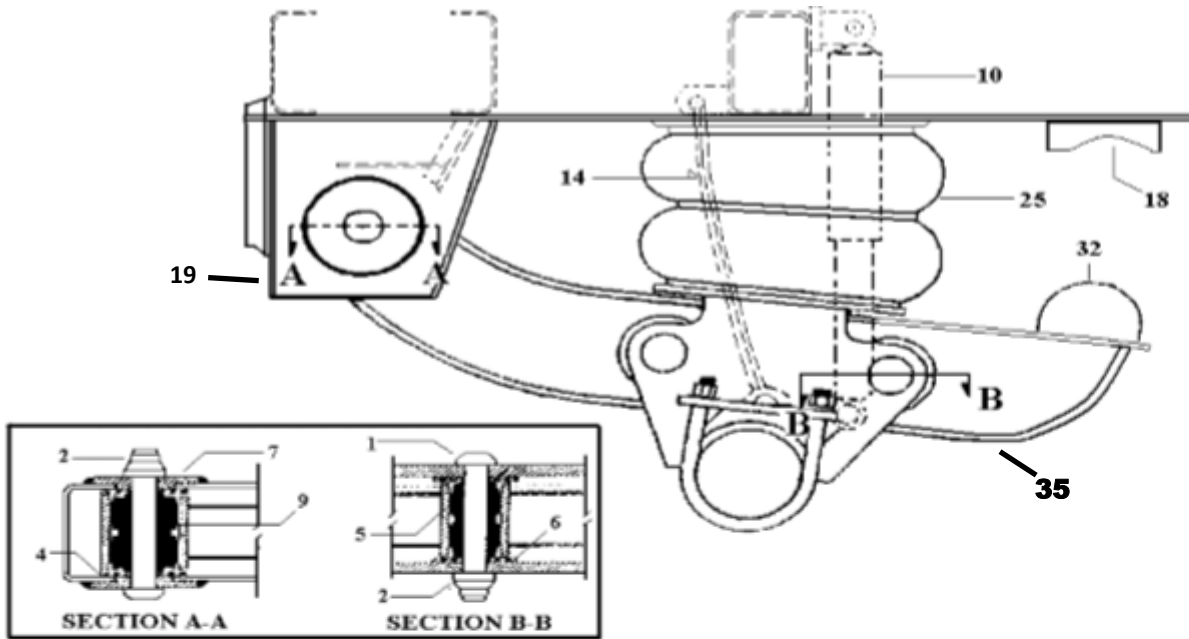


030-10013-01

Current OEM, Center and Front Mounting Plate, 10 Bolt Main Pattern.

SUSPENSION PARTS CATALOG

W&C TA-5000 Series Suspension





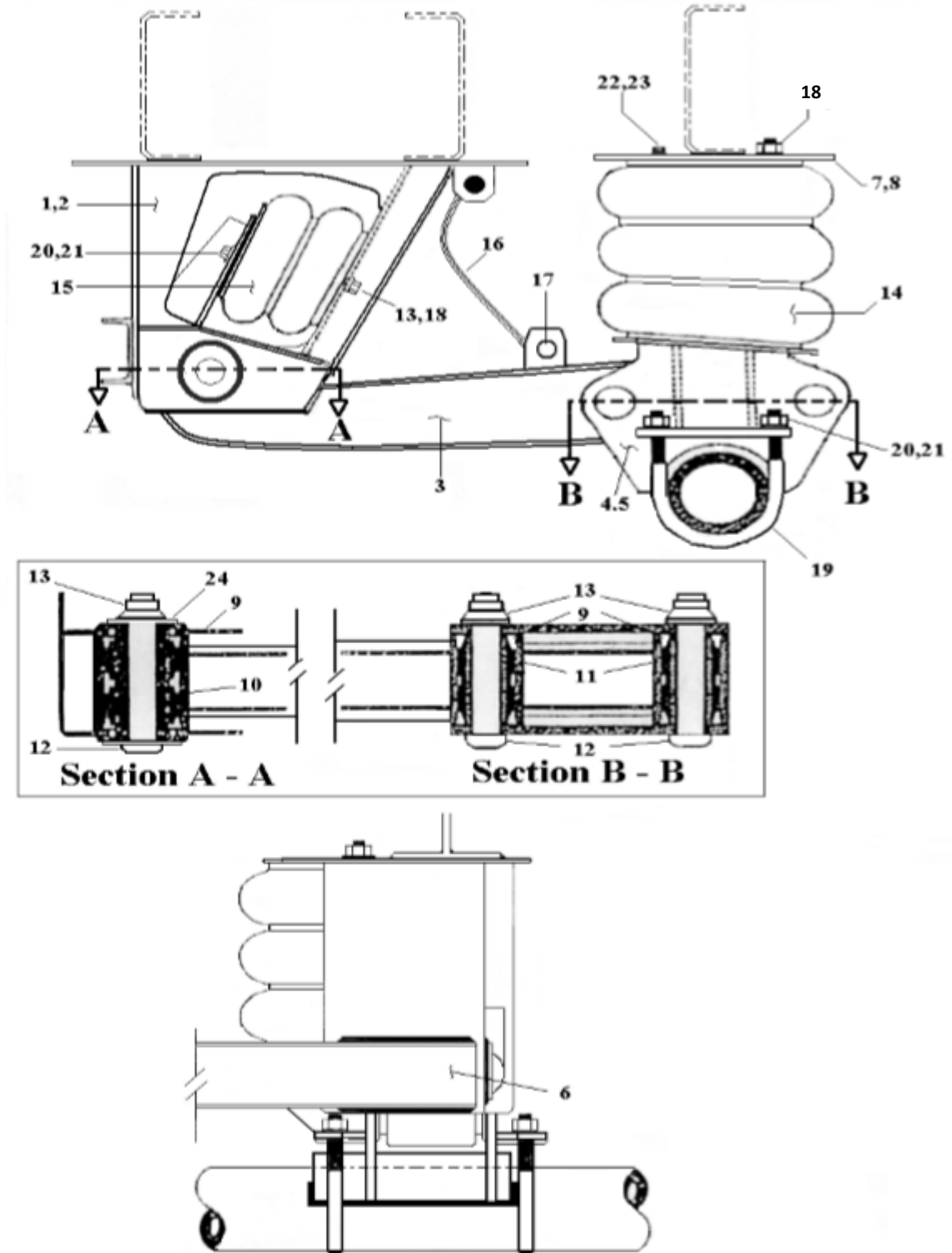
SUSPENSION PARTS CATALOG

W&C TA-5000 Series Suspension Parts List

NO.	Part#	QTY	Item	Vendor#
	Section A-A		Pivot Connection Items 1,2,4 and 9	
	517-05011-23	1	Pivot Connection Bushing Kit	SRK-11
	Section B-B		Axle Connection Items 1,2,5, and 6	
	517-05010-23	1	Axle Connection Bushing Kit	SRK-10
7	517-05505-23	4	Alignment Collars	11721
8	542-08532-17	4	.75 Cotter Pin	11363
10	517-05001-23	2	Shock Absorber	12128
11	540-01000-12	16	3/4"-16 SAE Grade 5 Hex Nut	
12	540-05035-12	4	3/4" X 3-1/2 SAE BOLT	
13	10134	2	Upper Limiter Bracket (Shock)	10134
14	517-05511-23	2	Shock Limiter Strap	11757
15	517-05508-23	2	Air Spring Plate	11770
16	517-05510-23	2	Shock Absorber Clevis Bracket	
18	10234	2	Upper Axle Stop Block	10234
19	920147-10z	2	Hanger Bracket Roadside / LH	920147-10z
	920147-20z	1	Hanger Bracket Curbside / R.H	920147-20z
20	10794	2	Lower Shock Bracket	10794
21	11364	2	Cotter Key	11364
22	11527	2	Front Suspension Frame Bracket Gusset	11527
25	518-05002-23	2	Air Spring / Air Bag	AS0032
26	540-02000-08	12	1/2" Lock Washer	
27	540-11000-08	12	1/2" SAE Grade 5 Hex Nut	
28	517-05759-23	1	Axle Seat Assembly Roadside / L,H	11759
29	517-05760-23	1	Axle Seat Assembly Curbside / R.H	11760
30	517-05502-23	4	3/4" Axle U-Bolt Kit Items 30,31,and 11	SP-0175K
32	10240	2	Half Round Arm Stop (Rear Axle Only)	10240
33	517-05018-23	1	Lead Suspension Beam Assy. Roadside / L.H	11702-10
	517-05019-23	1	Lead Suspension Beam Assy. Curbside / R.H	11702-20
	11708	2	Rear Suspension Beam Assembly	11708

SUSPENSION PARTS CATALOG

W&C TL-9000 Series Suspension





SUSPENSION PARTS CATALOG

W & C TL-9000 Series Parts List

NO.	Part #	QTY.	Item#	Vendor #
	Section A-A		Pivot Connection	
	517-05016-23	1	Pivot Connection Bushing Kit <i>Includes Items-9, 10,12,and 13</i>	SRK-1
	Section B-B		Axle Seat	
	517-05017-23	1	Axle Seat Bushing Kit <i>Includes Items 9, 11, 12 and 13</i>	SRK-2
1	920047-1	1	Roadside Hanger Assembly	920047-1
2	920047-2	1	Curbside Hanger Assembly	920047-2
3	12461	2	Trailing Arm Assemblies W/Bushing's	12461
4	12465	1	Roadside Axle Seat Assembly	12465
5	12466	1	Curbside Axle Seat Assembly	12466
6	12617	1	Support Crossmember 39"L	12617
7	51004-1	1	Upper Bag Plate Roadside / L.H.	51004-1
8	51004-2	1	Upper Bag Plate Curbside / R.H.	51004-2
14	518-05003-23	2	Ride Air Spring / Air Bag	AS0019
15	518-05006-23	2	Lift Air Bag <i>After 1994</i>	AS0058
	518-05001-23	2	Lift Air bag <i>Before 1994</i>	AS0035
16	517-05904-23	2	Limiter Strap	11342
17	16003	1	Limiter strap Pack	16003
18	540-11000-12	4	3/4" SAE Hex Nut	
19	517-05502-23	2	U-Bolt Kit (2 Per Box)	SP-0157K
20	540-11000-08	2	1/2"-13 SAE Hex Nut	
21	540-02000-08	2	1/2" SAE Lock Washer	
22	10038	6	3/4"-16 SAE X 1" Cap Screw	
23	540-02000-12	6	3/4" SAE Lock Washer	
24	517-05100-23	4	Alignment Collars	17234



SUSPENSION PARTS CATALOG

Hendrickson TRL-Axle Assemblies





SUSPENSION PARTS CATALOG

Hendrickson TRLAxle Assemblies

Hendrickson Axles are a direct replacement for East OEM Axle Assemblies.

<u>Item NO.</u>	<u>Description</u>	<u>Vendor NO.</u>
Axle Assemblies		
520-25513-20	71.5" for 96"W Chassis ,TP Axle Assy. 16.5"X7" Brakes 23K	TRLAXLE.7346
520-25514-20	77.5" for 102"W Chassis, TP Axle Assy. 16.5"X7" Brakes 23K	TRLAXLE.7347
520-25764-20	71.5" for 96"W Chassis, HN Axle Assy. 16.5"X7" Brakes 23K	TRLAXLE.9937
520-25767-20	77.5" for 102"W Chassis, HN Axle Assy. 16.5"X7" Brakes 23K	TRLAXLE.1786
Brake Shoe Kits		
Non Stock	Hendrickson ABEX H23 (2) Shoes and Hardware Kit	S-23753-3
537-05523-20	NEOBRAKE OEM QP4707 Direct Replacement	NB225
537-05145-00	NEOBRAKE Relined QP4707 Direct Replacement	
537-15769-00	Brake Hardware Kit	QK 1HD/E-2769
S-Cam Components		
Non Stock	Hendrickson Scam L/H	S-30594-15L
Non-Stock	Hendrickson S-Cam R/H	S-30594-15R
Non-Stock	S-Cam Bushing Kit	S-31964

SUSPENSION PARTS CATALOG

After Market Axle Components

Part #	Description	Vendor NO.
Hub Assemblies		
521-15571-24	10 Stud Steel Piloted, Long Stud, TP/HP, Pre Loaded	Walther 59-00161-101
521-15551-24	10 Stud Steel Piloted, Lightweight TP/HP, Pre Loaded	Walther 59-00112-101
521-15551-03	10 Stud Aluminum Piloted, TP/HP, Pre Loaded	Con-Met 10082438
521-15772-24	10 Stud Steel Piloted, Long Stud, HN/TQ, Pre Loaded	Walther 59-00106-101
521-15751-24	10 Stud Steel Piloted, Lightweight, HN/TQ, Pre Loaded	Walther 59-00114-101
521-15751-03	10 Stud Aluminum Piloted. HN/TQ, Pre-Loaded	Con-Met 10082225
Drum Assemblies		
521-05700-24	16-1/2" x 7" Shoe, Steel Cast	Walther 03-00043
521-05996-13	16-1/2" x 7" Shoe, Lightweight	Stemco 89996B
521-05137-13	16-1/2" x 5' Shoe, Lightweight	Stemco 90137B
521-05702-24	15" x 4" Shoe Steel Cast (Composilite Susp.)	Walther 13-00098
Hub Caps		
531-05819-03	Standard Cup TQ/HN, 6 Hole	Dual Dynamic 106819
531-05870-03	P Hub, HP/TP, 6 Hole	Dual Dynamics 106870
Wheel Seals		
531-05527-03	Oil Bath Seal TQ/HN Hub	CR 46300
531-05463-03	Oil Bath Seal TP/HP Hub	CR 42627
Slack Adjuster		
537-05528-18	Meritor/Rockwell Auto Slack 5.5"x 28 SPL.	801073
Drum Brake Chambers		
537-25330-20	30/30 Brake Chamber 5-34" Rod (Std Meritor/ Rockwell Axle, Hendrickson TRLAXLE, AAL Intraax Susp.)	TSE 3030TN2 2572
537-25332-20	30/30 Brake Chamber 9-7/8' Rod (Meritor RFS Susp., AAT Intraax Susp.)	TSE 3030TN2 2573
Wheel Nuts/ Spindle Nuts		
521-05882-00	22mm Wheel Nut	Okabe WN33T
520-05377-13	Axi Lock Spindle Nut TP/HP	Maclean Fogg 111077
520-05251-13	Axi Lock Spindle Nut HN/TQ	Maclean Fogg 111051



SUSPENSION PARTS CATALOG

After Market Axle Components

S-Cam And Bushing Kits

Rockwell Axles

537-05575-18	RH Camshaft 24-5/8"	E-5511
537-05576-18	LH Camshaft 24-5/8"	E-5510
537-15520-00	Re Bush Kit	E-3520



Meritor Axles/RFS Suspension

537-05575-18	RH Camshaft 24-5/8"	E-5511
537-05576-18	LH Camshaft 24-5/8"	E-5510
537-15520-04	Heavy Duty Bolt on cam Kit	E-9079



Dexter/ IMT Axles

537-05002-99	RH Camshaft 23-3/4"	E-5527
537-05003-99	LH Camshaft 23-3/4"	E-5526
537-15827-00	Camshaft Repair Kit	E-2287



Hendrickson Intraax

537-05636-20	LH Camshaft 11.02"	S-24636-1L
537-05637-20	RH Camshaft 11.02"	S-24636-1R
537-05974-20	Cam Kit PRE 2001	S-23974
537-05890-20	Cam Kit After 2001	S-28890



SUSPENSION PARTS CATALOG

Suspension Re-Bushing Kits

RHC Suspension

- 515-15493-05 Complete Tandem Kit (Includes 3 kits listed below)
- 515-15492-05 Trunnion Connection Kit
- 515-15494-05 Torque Arm Connection Kit
- 515-15491-05 Axle Connection Kit

Neway Suspensions

- 515-15033-14 Rubber Components and U-Bolts TS-5500
- 515-15136-14 Rubber Components and U-Bolts TS-4400
- 515-15137-14 Rubber Components and U-Bolts TS-5600

Reyco 21B Suspension

- 515-15319-18 Tandem Torque Arm Kit TK7319
- 515-15506-18 Tandem Equalizer Kit TK12506

Meritor RFS Suspensions

- 517-05006-18 Pivot Connection Kit RFS 23K (1 Arm) KIT 11201
- 517-05008-18 Pivot Connection Kit RFS 25K (1 Arm) KIT 11205

Hendrickson Suspension

- 517-05679-20 Quick Align Pivot Bolt and Nut Kit S-24679
- 517-05804-20 Q/A Pivot Bolt Kit with Collars S-24680
- 517-05008-20 Weld Align Pivot Bolt Kit S-3646

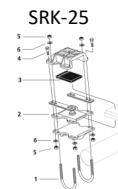
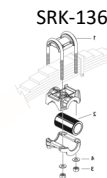
- 517-15821-20 Weld Align Pivot Connection Kit (1 Arm) S-6914
- 517-15822-20 Q/A Pivot Bushing Kit (1Arm) S-24691
- 517-15833-20 Q/A Pivot Bushing Kit (1 Axle) S-28654
(Kit includes 2 517-15822-20 kits and align collars)

- 517-05815-20 AANT 23K Pivot Bolt Kit (1 Arm) S-24705
- 517-15830-20 AANT 23K Pivot Bushing Kit (1 Axle) S-26321

Watson and Chalin

- 517-05010-23 WCTA 5000 Axle Connection Kit (1 Axle) SRK10
- 517-05011-23 WCTA 5000 Pivot Connection Kit (1Axle) SRK11

- 517-05016-23 WCTL 9000 Pivot Connection Kit (1 Axle) SRK1
- 517-05017-23 WCTL 9000 Axle Connection Kit (1Axle) SRK2





SUSPENSION PARTS CATALOG

Additional Suspension Options

Brake Dust Shields

Hendrickson

Part #	Item	Vendor #
520-05015-20	Hendrickson LDA Axle Tube With Air Disk Brakes	S-28570-4357
520-05014-20	Hendrickson LDA Axle 5-3/4" Tube (After 2012)	S-28500-1657
520-05013-00	Hendrickson 5" Axle Tube Intraax (Pre 2012)	S-25800-1650
520-28501-20	Dust shield Hardware Kit 5" AXLE	S-28501-500

Meritor

520-05000-18	Standard 5" Axle w/ 7" Brake Shoe	STN JE
520-05002-18	Dust Shield Kit for 5" Brake Shoe	KIT-8070
520-05002-18	Dust shield Kits 8-5/8" Brake Shoe	STN-JG

Cam Cover Kits

537-05890-20	Hendrickson Cam Tube Kit Intraax	S-28890
537-05992-18	Meritor Cam Cover Kit	MPS-4992
520-05019-00	Cam Cover IMT /Dexter Axle	014R



East Manufacturing Corporation
1871 State Route 44 * PO Box 277
Randolph, Ohio 44265
800-362-0851
Fax 330-325-8235
www.eastmfg.com