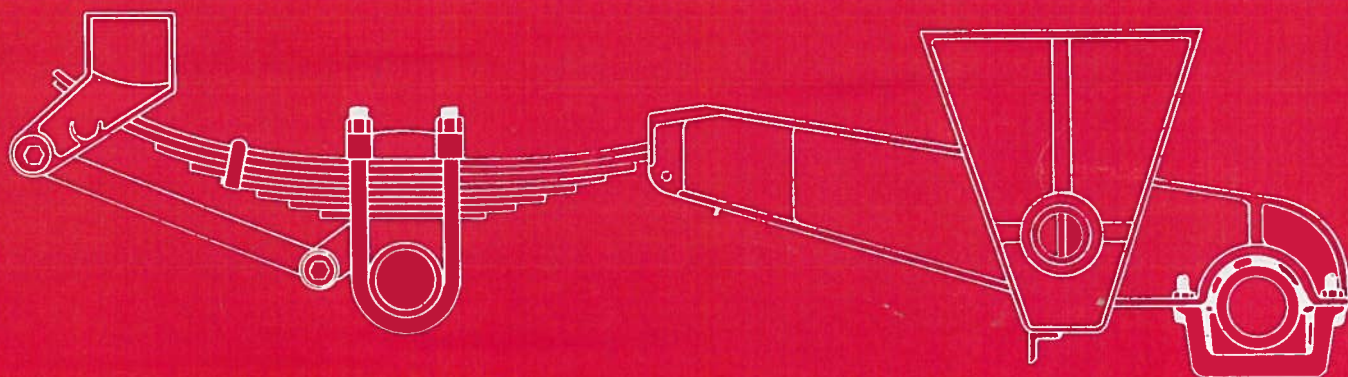


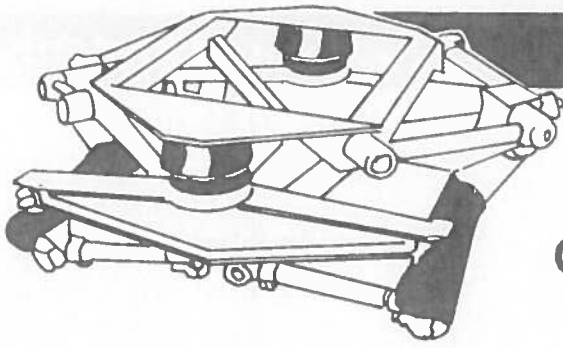
**East Manufacturing Corporation**



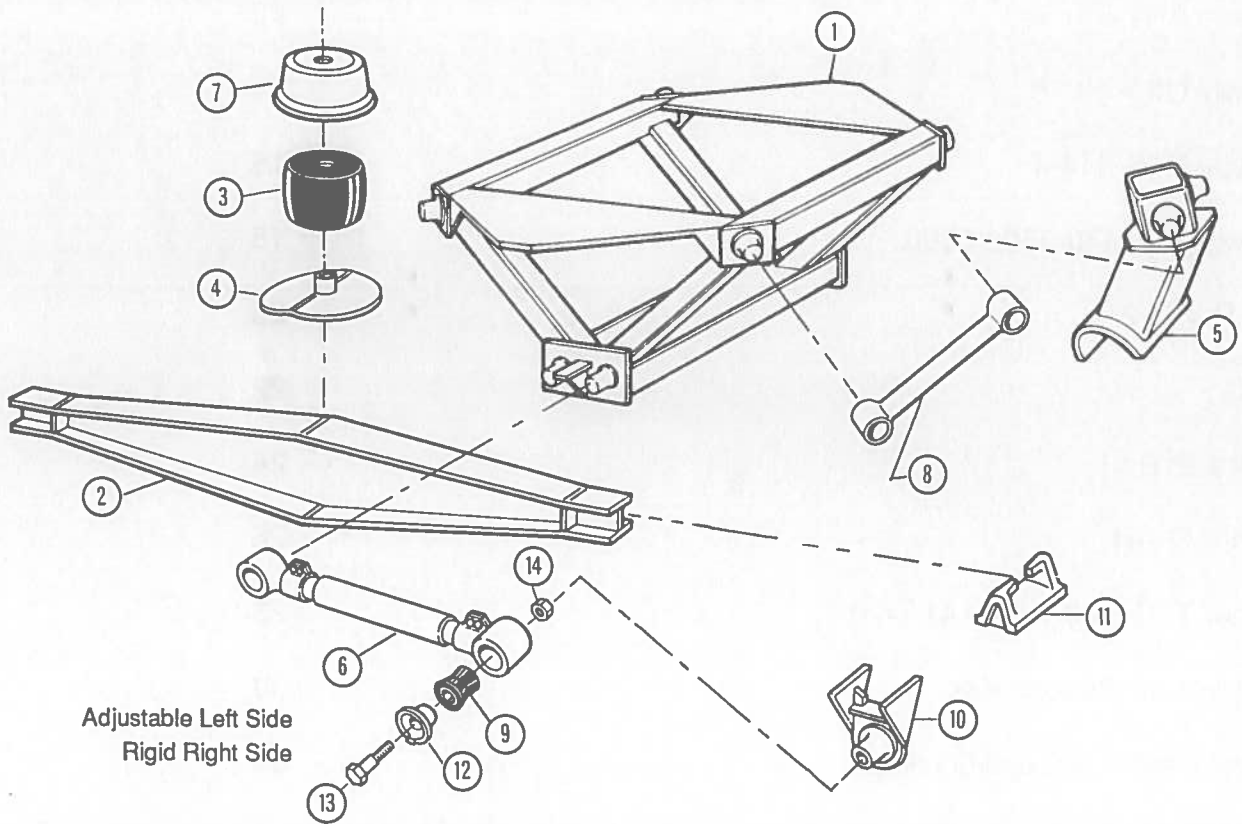
**SUSPENSION  
PARTS  
CATALOG**

*Volume 3*

<b>Item</b>	<b>Page Number</b>
Chalmers	2
Granning	4
Hutch H-900-50	6
Neway AR-90-14-SP/17-SP	8
Neway AR-95-17	10
Neway ART-551-B-1	12
Neway Lift Kits	14
Neway RTS-544-4	16
Neway TS-4440/5500/5600	18
Pro-Par M-2	20
RHC	22
Reyco 21B	24
Turner Q-AH	26
Turner T-15-140/T-17-141/T-20	28
Suspension Rebush Kits	30
Wheel Seals/Oil Caps/Gaskets	30
Air Bags	31
Leaf Springs	31
Axles	32
Wheel Bearings	32

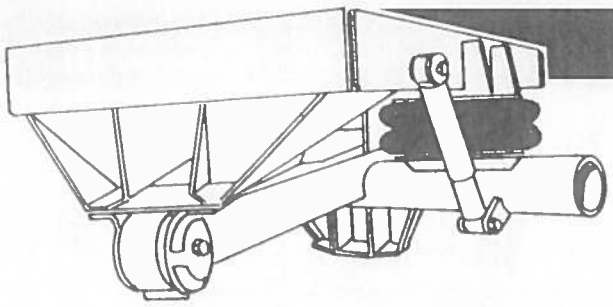


# CHALMERS SUSPENSION



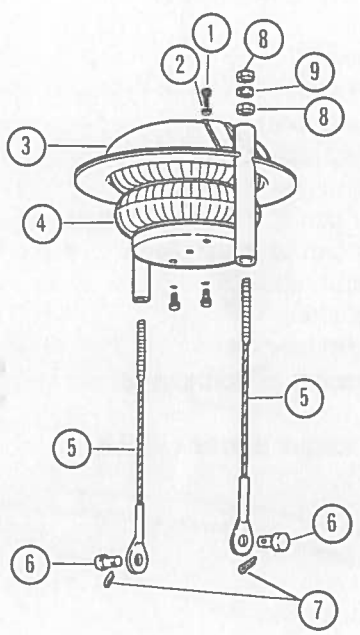




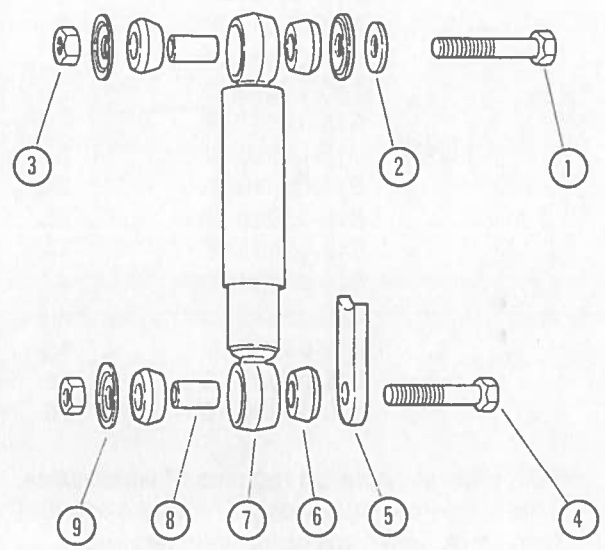


# GRANNING SUSPENSION

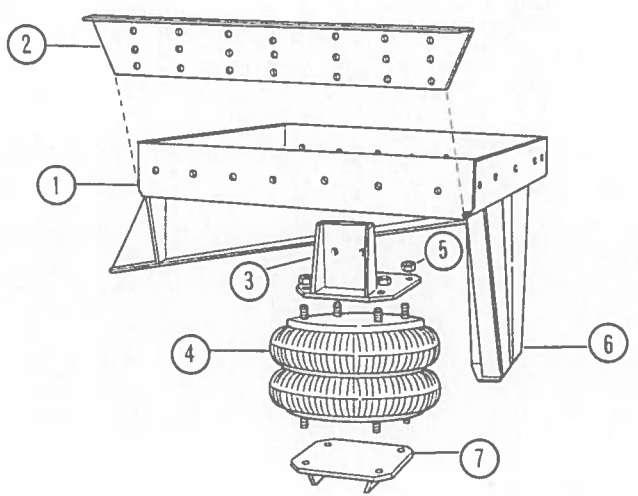
**A**



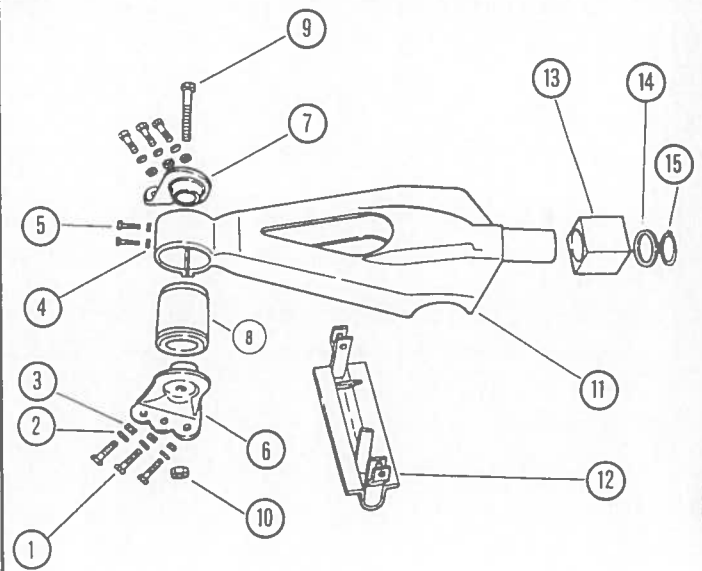
**B**



**C**



**D**





# Granning Suspension 20,000 lb.

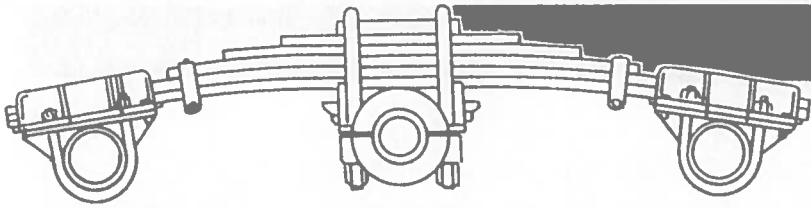
## Complete Suspension Kit\*

517-25100-07 T100AT (5" round axle)  
 517-25101-07 T100AT (5" square axle)  
 \*suspension kits do not include axles

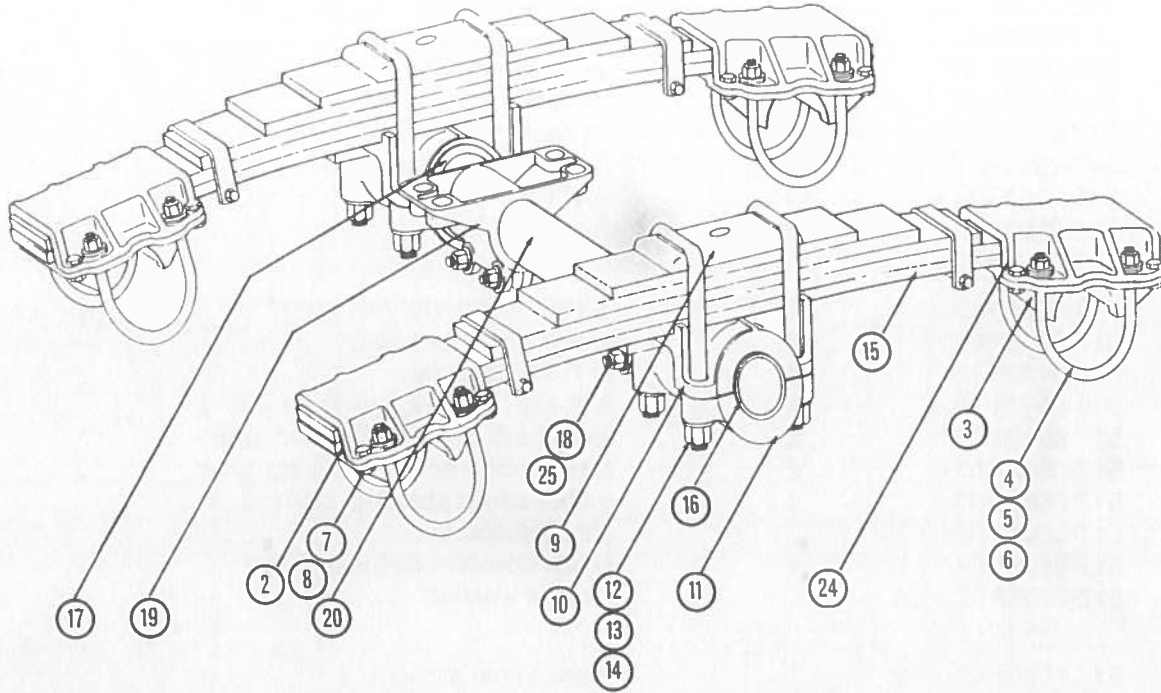
NO.	PART NUMBER	QTY	ITEM
<b>A</b>			
1	540-15010-06	4	3/8" USS X 1" hex head bolt
2	540-03000-06	4	3/8" lockwasher
3	517-05013-07	1	lift dome ass'y.
4	518-05104-07	1	lift air spring ass'y.
5	517-05014-07	2	lift cable
6	517-05015-07	2	lift cable pin
7	542-08532-15	2	3/16" X 1-1/4" cotter pin
8	540-11000-12	4	3/4" USS hex nut
9	517-05016-07	2	Star D washer
<b>B</b>			
1	540-05045-12	2	3/4" SAE X 4-1/2" hex head bolt
2	517-05007-07	2	shock absorber spacer
3	540-04000-12	4	3/4" SAE lock nut
4	540-05035-12	2	3/4" SAE X 3-1/2" hex head bolt
5	517-05008-07	2	axle shock bracket (5" round axle)
	517-05027-07	2	axle shock bracket (5" square axle)
6	517-05009-07	8	rubber shock absorber bushing
7	517-05010-07	2	shock absorber
8	517-05011-07	4	shock absorber bushing sleeve
9	517-05012-07	6	retainer washer
<b>C</b>			
1	517-15001-07	1	*base frame ass'y.
2	517-05025-07	1	3 hole mount angle L.H.
	517-05026-07	1	3 hole mount angle R.H.
3	517-05024-07	2	upper air spring pad
4	518-05102-07	2	air spring ass'y.
5	540-14000-08	16	1/2" USS hex nut
6	517-05019-08	2	*wear pad
7	517-05020-08	2	lower air spring pad
<b>D</b>			
1	517-15020-10	6	5/8" X 2" USS hex head bolt GR.8
2	540-02000-10	6	5/8" flat washer
3	540-14000-10	6	5/8" USS lock nut
4	540-04000-08	2	1/2" SAE lock nut
5	517-05017-08	2	1/2" SAE X 1-3/4" hex head GR.8
6	517-05001-07	1	anchor pull point L.H.
7	517-05002-07	1	anchor pull point R.H.
8	517-05003-07	1	torque bushing
9	517-15015-12	1	3/4" USS X 1-1/2" hex head bolt GR.8
10	540-11000-12	1	3/4" USS hex nut
11	517-15002-07	1	*draw bar—5" round axle
	517-15012-07	1	*draw bar—5" square axle
12	517-05003-07	1	lift bracket
13	517-05004-07	1	travel block
14	517-05005-07	1	travel block spacer
15	517-05006-07	1	snap lock ring

\*non-stock items—order upon request

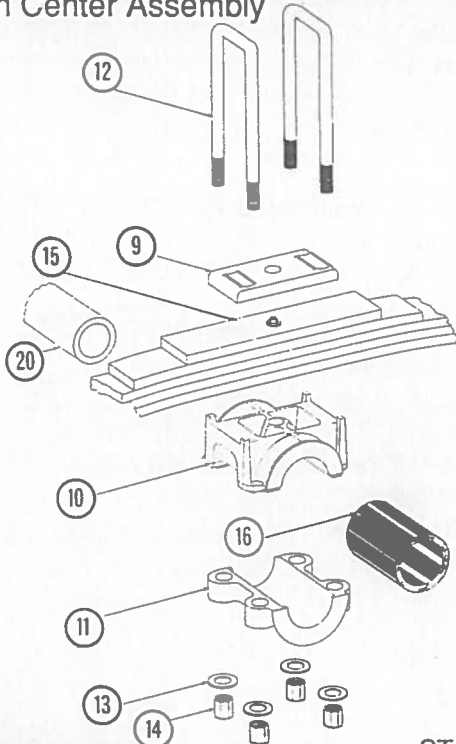
Complete air lift kit—517-25502-07 to convert air suspension to air lift.



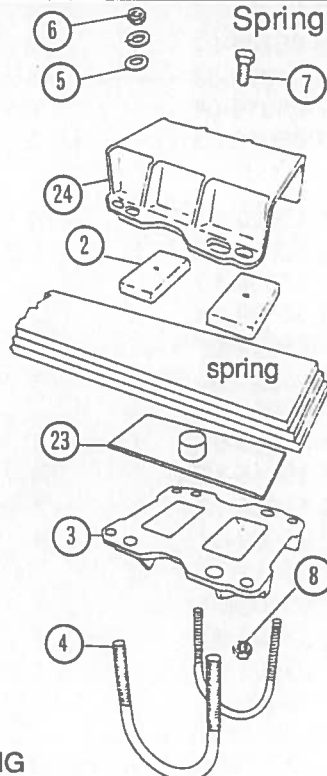
# HUTCH H-900-50



## Trunnion Center Assembly



## Spring End Assembly



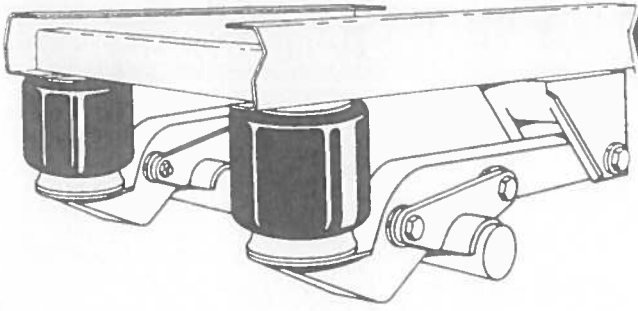
STANDARD OVERSLUNG

## Complete Suspension Kit\*

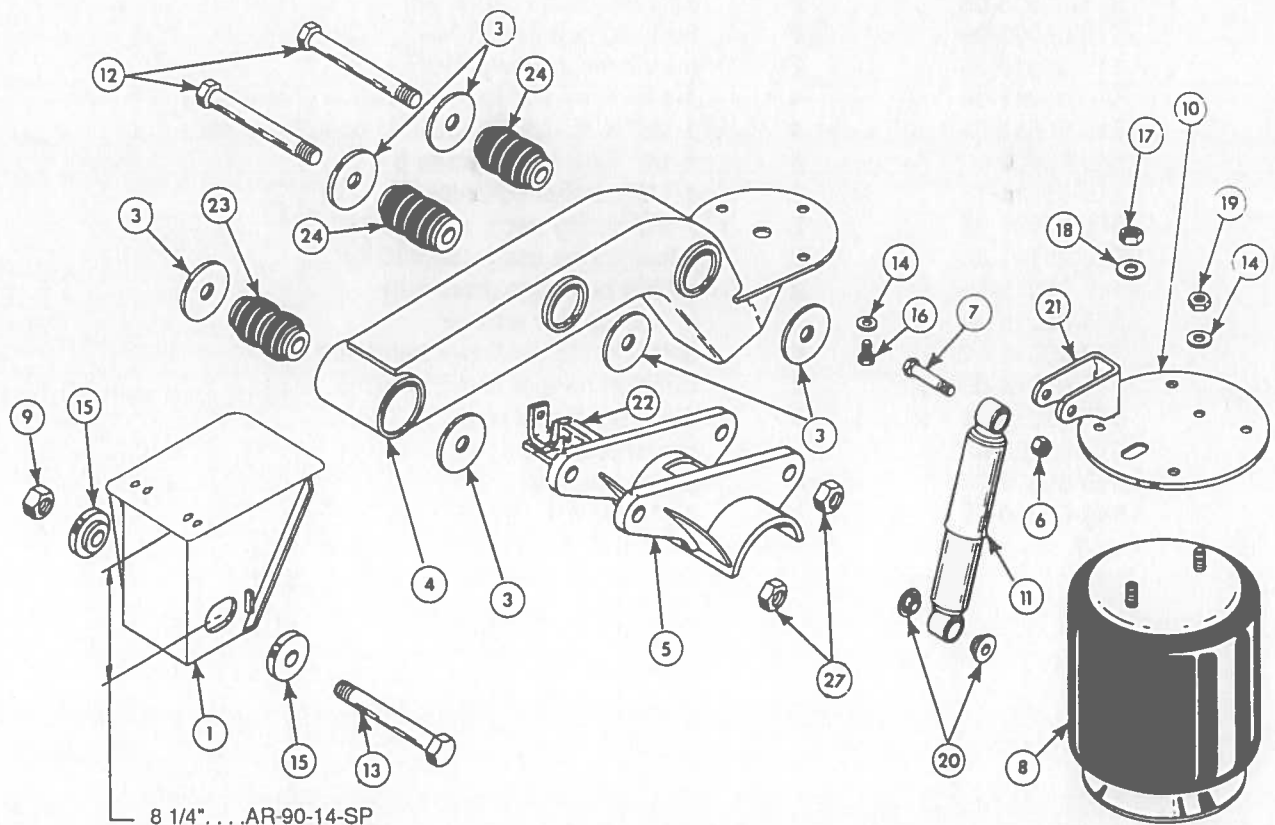
510-25900-08 (5" round axle seat)  
510-25901-08 (5" square axle seat)  
\*suspension kits do not include axles

NO.	PART NUMBER	QTY	ITEM
2	515-05005-08	8	rubber pad
3	515-05002-08	4	spring seat (5" round axle)
	515-05003-08	4	spring seat (5" square axle)
4	515-05006-08	8	axle U-bolt (5" round axle)
	515-05007-08	8	axle U-bolt (5" square axle)
5	540-11000-12	16	3/4" USS nut
6	540-02000-12	32	3/4" flat washer
7	540-14000-10	16	5/8" USS lock nut
8	540-15020-10	16	5/8" USS X 2" hex head bolt
9	515-05008-08	2	cast top plates (trunnion)
10	515-05009-08	2	trunnion hub (upper half)
11	515-05010-08	2	trunnion hub (lower half)
12	515-05011-08	4	1-1/8" X 14-1/2" trunnion U-bolt (7 leaf spr.)
	515-05012-08	4	1-1/8" X 15-1/2" trunnion U-bolt (9 leaf spr.)
13	540-06000-17	8	1-1/8" SAE hi-nut grade 8
14	515-05011-16	8	1-1/8" washer (U-bolt)
15	516-25999-08	2	7 leaf spring ass'y. (50,000 lb)
	516-25101-08	2	9 leaf spring ass'y. (60,000 lb)
16	515-05015-08	2	rubber bushings (trunnion)
17	515-05019-14	2	4" X 6" spacer washer
18	540-05045-12	4	3/4" X 4-1/2" SAE hex head bolt
19	515-05018-08	2	trunnion hanger (8-1/2" height)
20	515-05016-08	1	3/4" trunnion tube
23	515-05004-08	4	alignment plates
24	515-05001-08	4	spring end cap
25	540-01000-12	4	3/4" SAE nut





**NEWAY AR-90-14-SP  
AR-90-17-SP**



8 1/4" ... AR-90-14-SP  
11 1/4" ... AR-90-17-SP

## Complete Suspension Kit\*

517-25904-14 14" ride height (round axle)

517-25907-14 17" ride height (round axle)

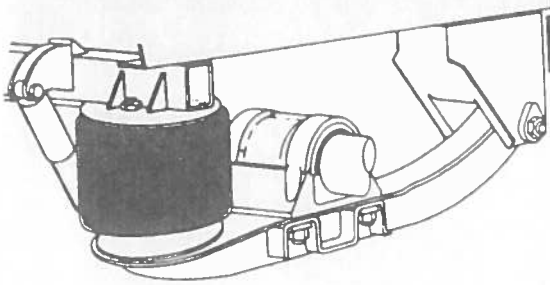
\*suspension kits do not include axles

NO.	PART NUMBER	QTY	ITEM
1	517-05900-14	1	frame bracket L.H.—adj. (AR-90-14-SP)
	517-05901-14	1	frame bracket R.H.—fixed (AR-90-14-SP)
	517-05903-14	1	frame bracket L.H.—adj. (AR-90-17-SP)
	517-05904-14	1	frame bracket R.H.—fixed (AR-90-17-SP)
3	517-05906-14	12	spacer washer
4	517-05907-14	1	equalizing beam L.H. (AR-90-14-SP)
	517-05908-14	1	equalizing beam R.H. (AR-90-14-SP)
	517-05913-14	1	equalizing beam L.H. (AR-90-17-SP)
	517-05914-14	1	equalizing beam R.H. (AR-90-17-SP)
5	517-05911-14	1	axle adaptor L.H.
	517-05912-14	1	axle adaptor R.H.
6	540-14000-12	4	3/4" lock nut USS
7	540-15040-12	4	3/4" X 4" hex head bolt USS
8	518-15086-14	2	air spring assembly
9	517-05915-14	6	1-1/8" self torque nut
10	*566-05068-00	1	upper air spring mount plate L.H.
	*566-05069-00	1	upper air spring mount plate R.H.
	517-05011-14	2	upper air spring mount plate (steel frame)
11	517-05916-14	2	shock absorber
12	517-05917-14	4	1-1/8"—7 X 8-1/2" hex head bolt
13	517-05918-14	2	1-1/8"—7 X 9-1/2" rod bolt
14	540-03000-08	8	1/2" lockwasher
15	517-05920-14	4	alignment bushing
16	540-15010-08	6	1/2" X 1" hex head bolt USS
17	540-11000-12	2	3/4" USS nut
18	540-03000-12	2	3/4" lockwasher
19	540-11000-08	2	1/2" USS nut
20	517-05518-14	8	shock replacement bushing
21	517-05926-14	2	upper shock bracket (AR-90-14-SP)
	517-05928-14	2	upper shock bracket (AR-90-17-SP)
22	517-05973-14	2	lower shock bracket
23	517-05909-14	2	rubber bushing (front pivot)
24	517-05910-14	4	rubber bushing (axle connection)
25	517-05925-14	1	height control valve bracket (not shown)

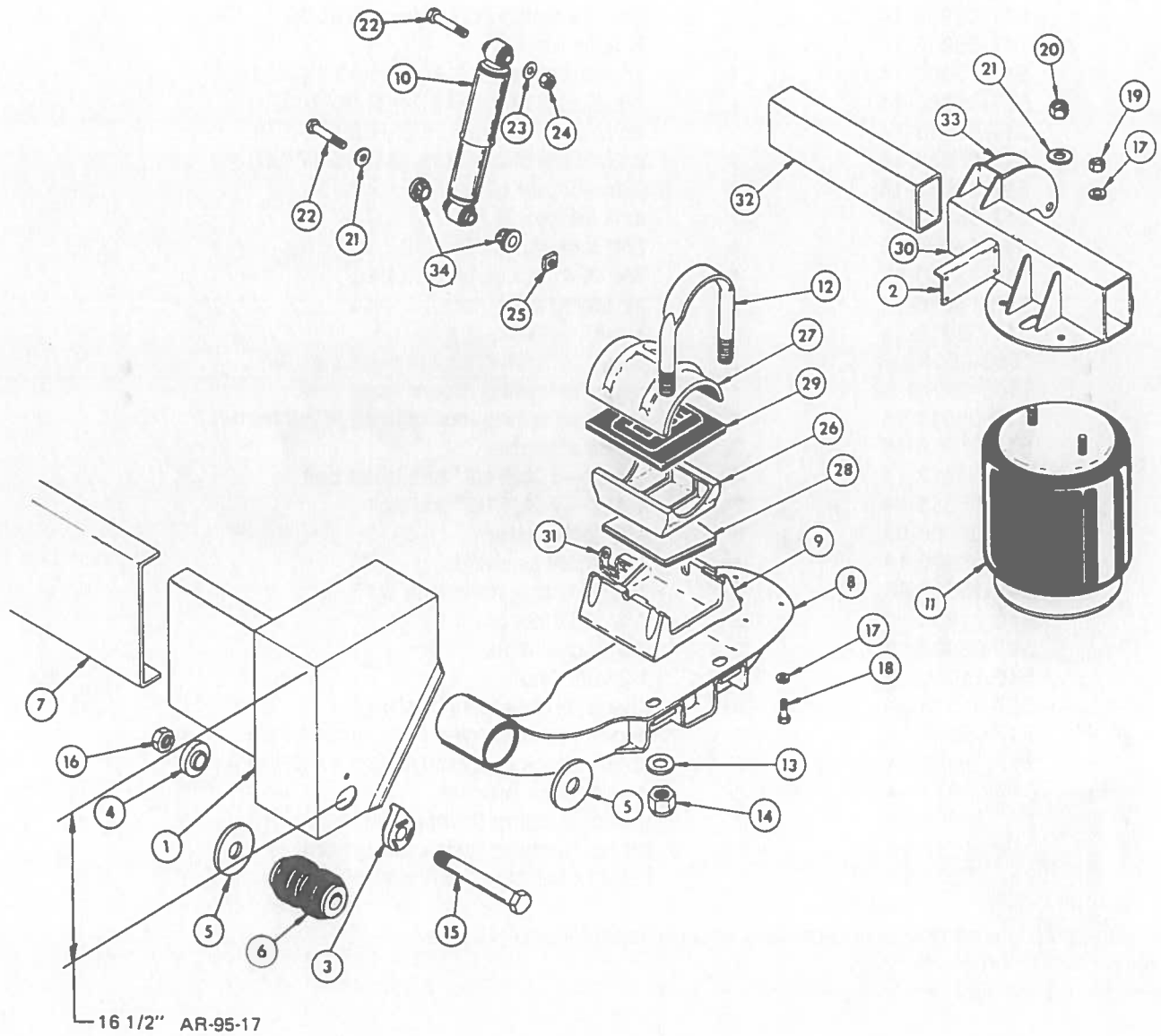
Note: Kits and parts on this page represent enough items for one (1) axle

\* for use on aluminum frames only

Suspension rebush kits—refer to page 30



# NEWAY AR-95-17




**Complete Suspension Kit\***

 517-25957-14 (5" round axle)  
 (less air lift kit & crossmember kit)

 517-25958-14 (5" square axle)  
 (less air lift kit & crossmember kit)

\*suspension kits do not include axles

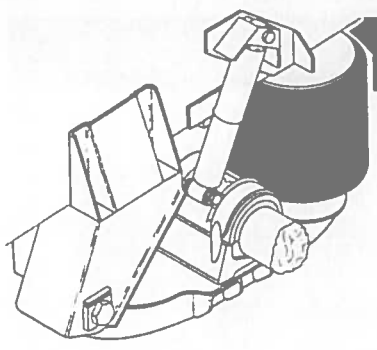
NO.	PART NUMBER	QTY	ITEM
1	517-05000-14	1	frame bracket ass'y. L.H. (adj.)
	517-05001-14	1	frame bracket ass'y. R.H. (fixed)
2	517-05865-14	2	bracket (height control valve)
3	517-05022-14	2	adjustment bushing (outer)
4	517-05021-14	2	adjustment bushing (inner)
5	517-05906-14	4	inner spacer 4" X 2.58" X 1/4"
6	517-05909-14	2	rubber bushing
7	517-05578-14	1	steel channel
8	517-05003-14	1	equalizing beam ass'y. L.H.
	517-05002-14	1	equalizing beam ass'y. R.H.
9	517-05007-14	2	beam seat
10	517-05009-14	2	shock absorber
11	518-15020-14	2	air spring ass'y.
12	517-05010-14	4	1" X 9" grade 8 U-bolt (5" round axle)
	517-05590-14	4	1" X 9" grade 8 U-bolt (5" round axle) post May '88
	517-05794-14	4	1" X 10-1/2" grade 8 U-bolt (5" square axle)
13	517-05014-14	8	1" ID washer
14	540-14000-16	8	1" USS lock nut
15	517-05918-14	2	1-1/8" X 9-1/4" hex head bolt
16	517-05915-14	2	1-1/8" X self torque nut
17	540-03000-12	14	1/2" lockwasher
18	540-15010-08	6	1/2" X 1" USS hex head bolt
19	540-11000-08	8	1/2" USS nut
20	540-11000-12	2	3/4" USS nut
21	540-03000-12	4	3/4" lockwasher
22	540-15040-12	4	3/4" X 4" USS bolt
23	540-02000-12	2	3/4" SAE flat washer
24	540-14000-12	2	3/4" USS lock nut
25	517-05367-14	2	3/4" square USS nut
26	517-05016-14	2	axle adaptor (5" round axle)
	517-05017-14	2	axle adaptor (5" square axle)
27	517-05018-14	2	axle cap (5" round axle)
	517-05019-14	2	axle cap (5" square axle)
	517-05588-14	2	axle cap (5" square axle) post Feb. '88
28	517-05505-14	2	steel rubber pad
29	517-05504-14	2	rubber wrapper (5" round axle)
	517-05073-14	2	rubber wrapper (5" square axle)
30	517-15726-14	1	crossmember ass'y. L.H.
	517-15753-14	1	crossmember ass'y. R.H.
31	517-05179-14	2	lower shock bracket
32	517-05800-14	1	channel ass'y.
33	517-05322-14	2	upper shock bracket
34	517-05518-14	8	shock replacement bushing

Note: Post Feb. '88—refer to suspension identification tag for date of manufacturing

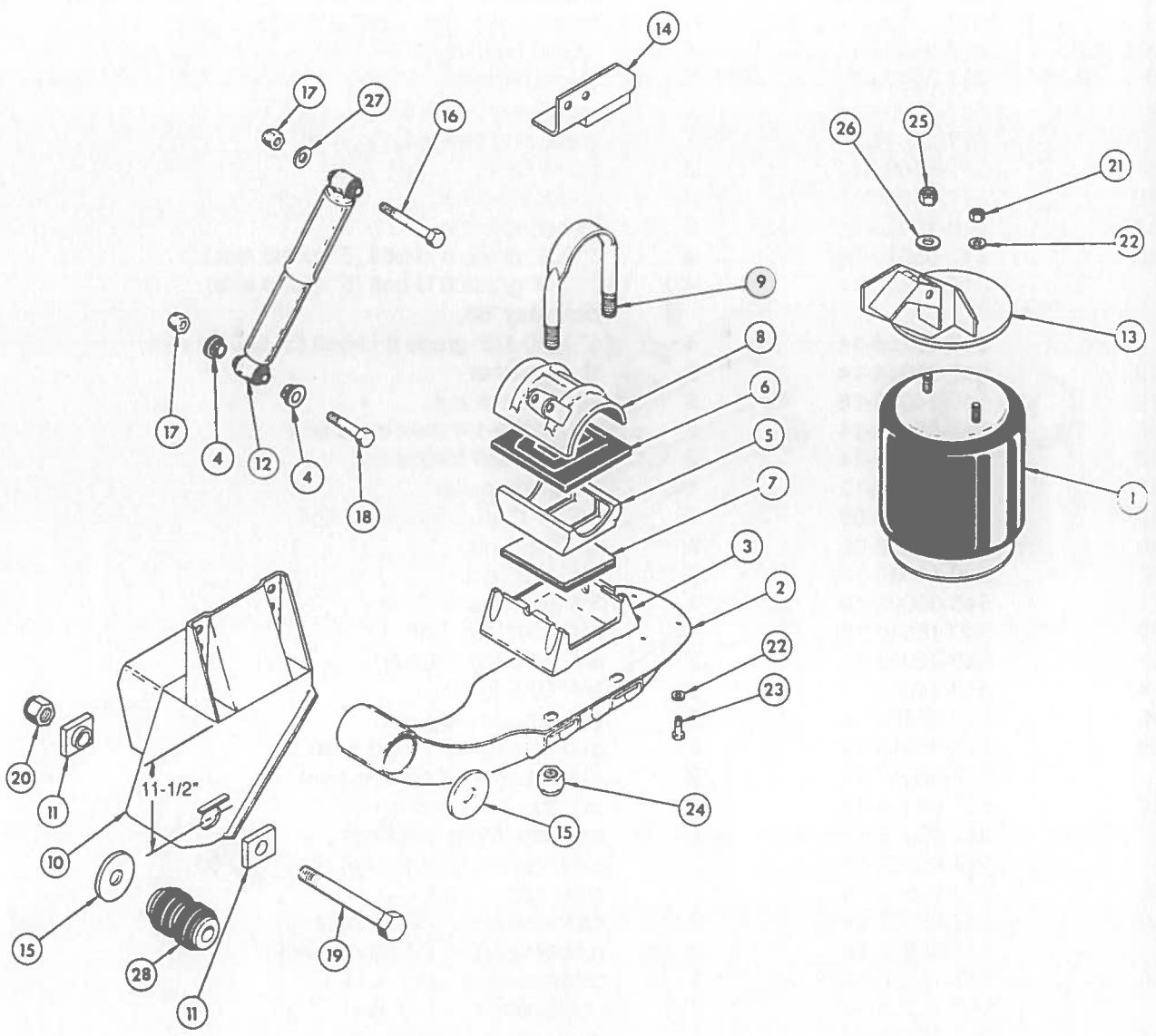
Note: For air axle lift kits &amp; crossmember kits refer to page 14

Suspension rebush kits—refer to page 30





# NEWAY ART-551-B-1



## Complete Suspension Kit\*

517-25051-14 (less air lift kit & crossmember kit)

\*suspension kits do not include axles

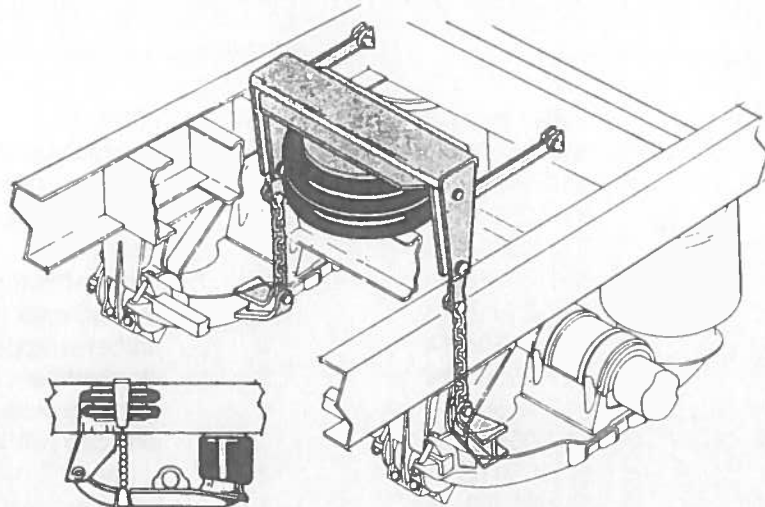
NO.	PART NUMBER	QTY	ITEM
1	518-15008-14	2	air spring ass'y. 20,000 lb
2	517-05500-14	1	equalizing beam L.H.
	517-05501-14	1	equalizing beam R.H.
3	517-05008-14	2	beam seat
4	517-05518-14	8	replacement shock bushing
5	517-05016-14	2	axle adaptor (5" round axle)
6	517-05504-14	2	rubber wrapper ( 5" round axle)
7	517-05505-14	2	steel/rubber pad
8	517-05507-14	1	axle cap (with stops) (5" round axle)
	517-05506-14	1	axle cap (without stops) (5" round axle)
9	517-05012-14	4	U-bolt 1" X 12-1/2" (5" round axle)
10	517-05509-14	1	frame bracket ass'y. L.H. (adj.)
11	517-05515-14	4	adjusting plate
12	517-05511-14	2	shock absorber
13	517-05319-14	1	air spring & shock bracket ass'y. L.H.
	517-05320-14	1	air spring & shock bracket ass'y. R.H.
14	517-05243-14	1	axle stop ass'y. L.H.
	517-05244-14	1	axle stop ass'y. R.H.
15	517-05906-14	4	spacer washer
16	540-15055-14	2	3/4" X 5-1/2" GR.5 hex head bolt
17	540-14000-12	4	3/4" lock nut
18	540-15035-12	2	3/4" X 3-1/2" GR.5 hex head bolt
19	517-05918-14	2	1-1/8" X 9-1/4" GR.5 hex head bolt
20	517-05915-14	2	1-1/8" X self torque nut
21	540-11000-08	2	1/2" USS nut
22	540-12000-08	8	1/2" washer
23	540-15010-08	6	1/2" X 1" USS hex bolt
24	540-14000-16	8	1" USS lock nut
25	540-01000-12	2	3/4" SAE hex nut
26	540-03000-12	2	3/4" lockwasher
27	540-12000-12	2	3/4" USS washer
28	517-05909-14	2	beam bushing

Note: For air axle lift kit & cross member kit refer to page 14

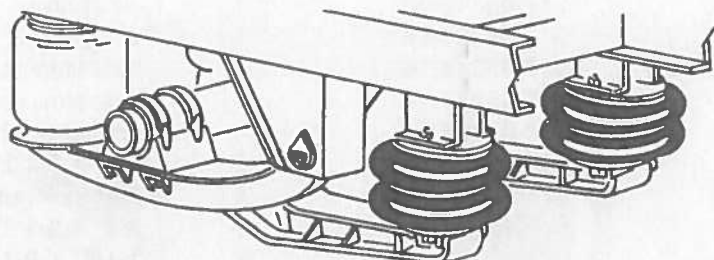
Suspension rebush kit—refer to page 30

## NEWAY AIR LIFT & CROSSMEMBER KITS

- 1) ART-551-B-1  
AR-95-17

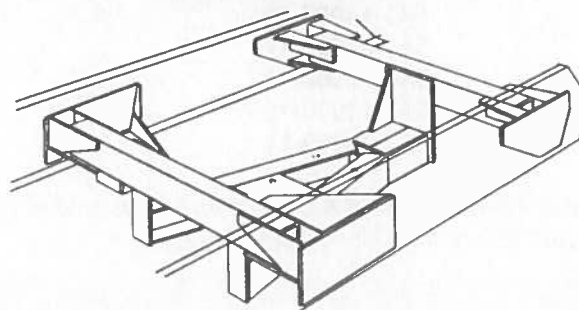


- 2) Optional twin beam lift for AR-95-17 only.  
Note: Additional trailer crossmembers required when this lift is installed.

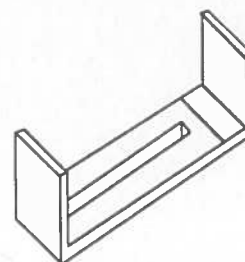


ASSEMBLED VIEW

- 3) Required when installing ART-551 as a lift axle on tractor.



- 4) Required when installing AR-95-17 as lift axle on trailer (single bag lift only).



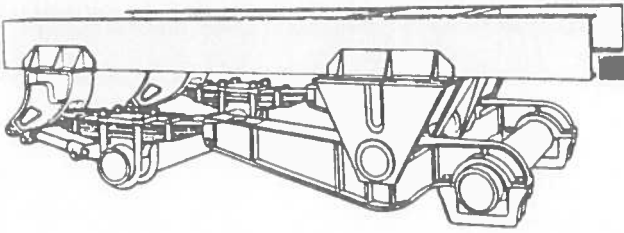
Kits required to convert ART-551-B & AR-95-17 to lift axles

NO.	PART NUMBER	QTY	ITEM
1	517-25075-14	1	single air spring lift
2	517-25457-14	1	twin beam air spring lift
3	517-25700-14	1	crossmember air lift ass'y.
4	517-25702-14	1	crossmember air lift ass'y.

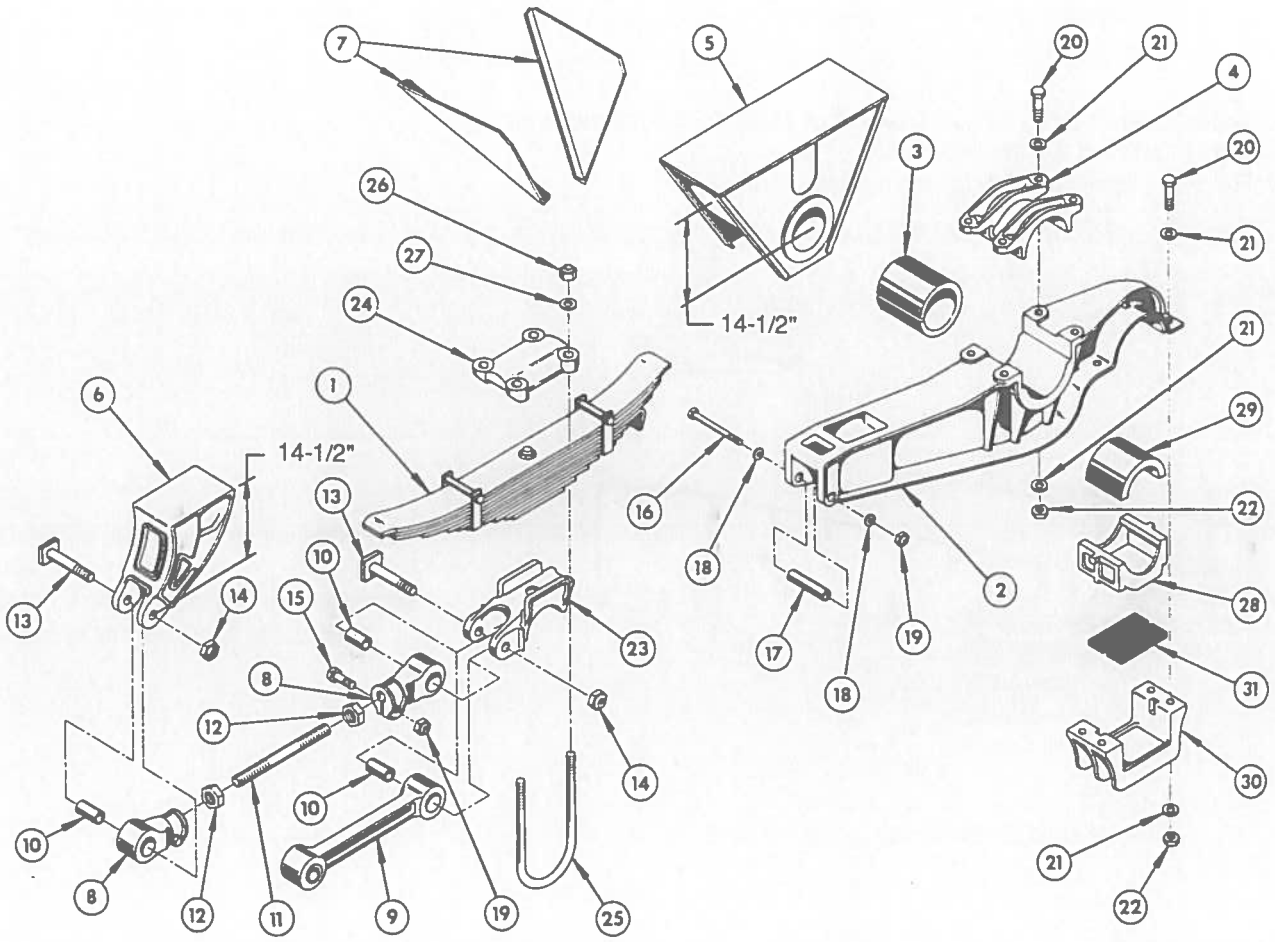
Note: Refer to illustrations for combination of air lift kit & crossmember assemblies to convert air ride to air axle lift.

Note: Refer to page 31 for air spring replacement.

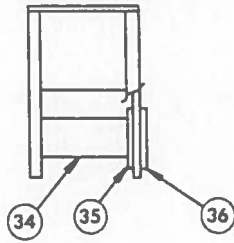




# NEWAY RTS-544-4



ITEM 5  
FRAME BRACKET



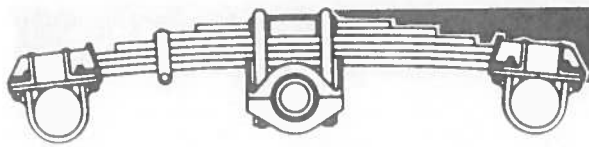
Complete Suspension Kit\*

515-25544-14 (5" round axle seat)  
 \*suspension kits do not include axles

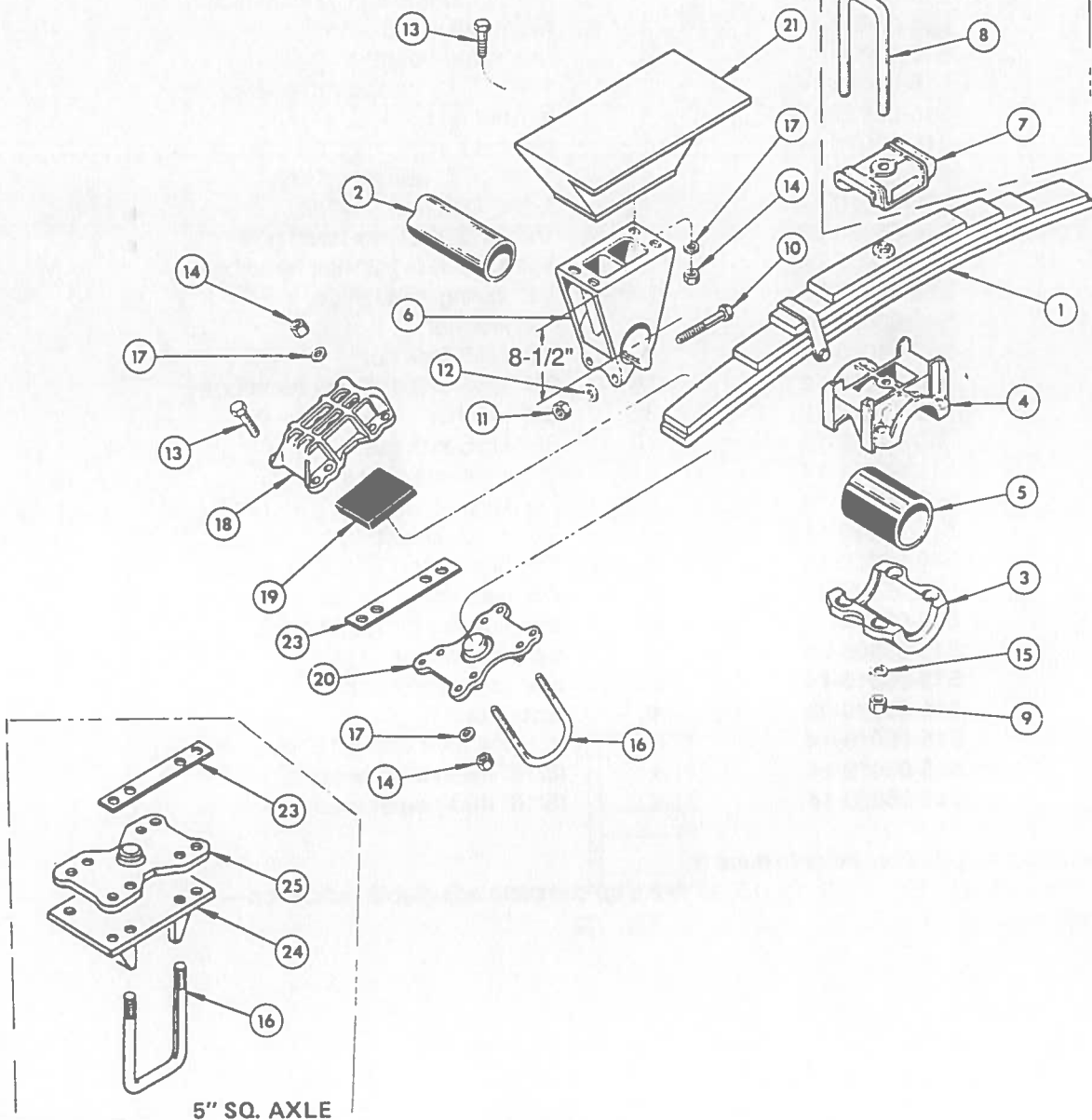
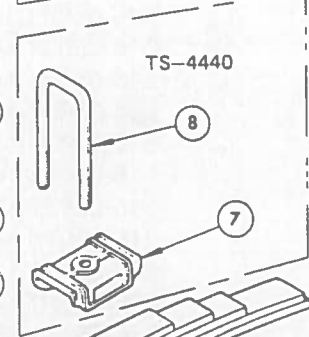
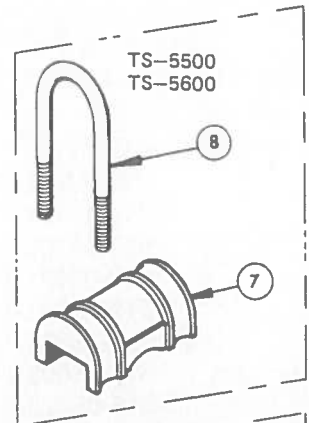
NO.	PART NUMBER	QTY	ITEM
1	516-15154-14	2	14 leaf spring assembly
2	515-05000-14	2	equalizing beam
3	515-05001-14	2	rubber trunnion bushing
4	515-05002-14	2	trunnion cap
5	515-05021-14	2	trunnion frame bracket
6	515-05003-14	2	spring hanger
7	515-05022-14	2	diagonal brace L.H.
	515-05023-14	2	diagonal brace R.H.
8	515-05004-14	1	radius rod end R.H. (includes item 10)
	515-05005-14	1	radius rod end L.H. (includes item 10)
9	515-05007-14	1	fixed radius rod
10	515-05008-14	4	radius rod bushing
11	515-05024-14	1	1-1/4" X 11" radius rod screw
12	515-05025-14	1	jam nut R.H.
	515-05026-14	1	jam nut L.H.
13	515-05009-14	4	1-1/4" X 7" radius rod bolt
14	515-05010-14	4	1-1/4" lock nut
15	540-05020-08	2	1/2" USS X 2" hex head bolt
16	540-05055-08	2	1/2" USS X 5-1/2" hex head bolt
17	515-05777-05	2	1/2" spring roller plate
18	540-02000-08	4	1/2" washer
19	540-14000-08	4	1/2" USS lock nut
20	540-15025-12	16	3/4" USS X 2-1/2" hex head bolt
21	540-12000-12	32	3/4" washer
22	540-14000-12	16	3/4" USS lock nut
23	515-05011-14	2	5" round axle seat
24	515-05012-14	2	top plate
25	515-05013-14	4	7/8" X 12" U-bolt
26	540-06000-14	8	7/8" high nut
27	540-05080-14	8	7/8" washer
28	515-05014-14	2	axle adaptor (5" round axle)
29	515-05505-05	2	rubber wrapper
30	515-05016-14	2	axle connection cap
31	515-05510-05	4	rubber pad
34	515-05018-14	2	trunnion tube with 5/16" outer washer
35	515-05019-14	4	(3/16" thick) inner washer
36	515-05020-14	4	(5/16" thick) outer washer

Suspension rebush kits—refer to page 30

Note: Numbers 8, 10, 11, 12, 13, 15, 19 make up complete adjustable radius rod—  
 part #515-05006-14



**NEWAY TS-4440  
TS-5500  
TS-5600**



## Complete Suspension Kits\*

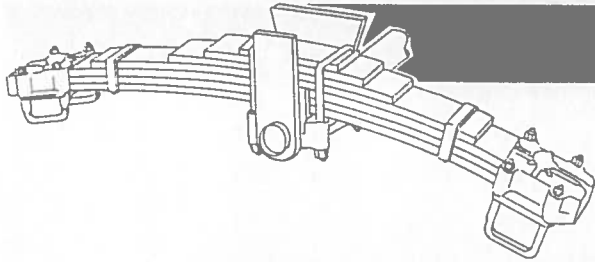
515-25444-14	(TS-4440 round axle seat)
515-25443-14	(TS-4440 square axle seat)
515-25550-14	(TS-5500 round axle seat)
515-25551-14	(TS-5500 square axle seat)
515-25560-14	(TS-5600 round axle seat)
515-25561-14	(TS-5600 square axle seat)

\*suspension kits do not include axles

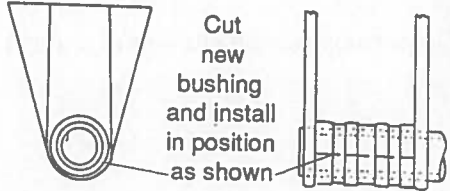
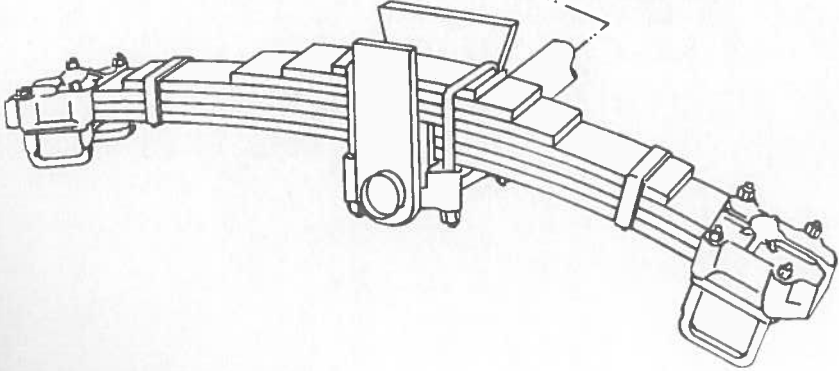
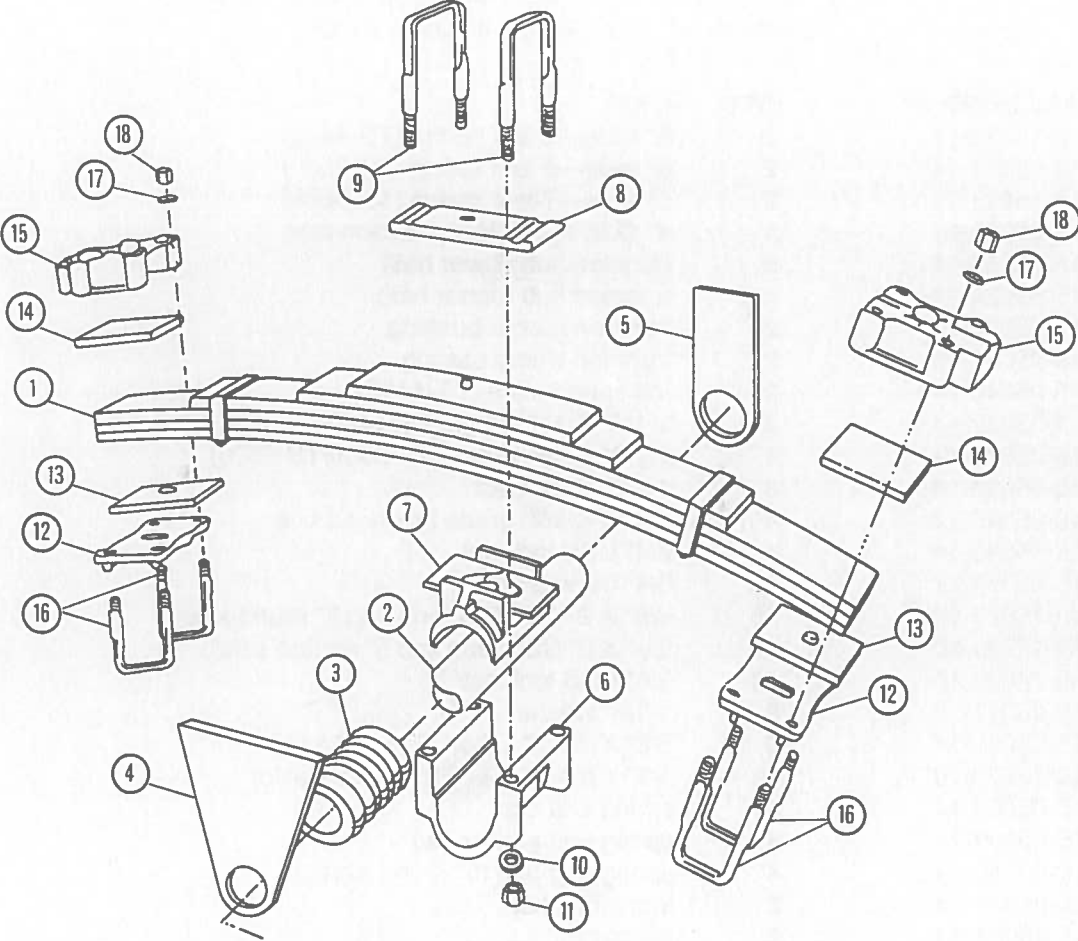
NO.	PART NUMBER	QTY	ITEM
1	516-15272-14	2	5" wide—5 leaf spring (TS-4440)
	516-15273-14	2	5" wide—5 leaf spring (TS-5500)
	516-15277-14	2	5" wide—7 leaf spring (TS-5600)
2	515-05027-14	1	4" O.D. X 1/2" H.T. trunnion tube
3	515-05028-14	2	trunnion hub (lower half)
4	515-05029-14	2	trunnion hub (upper half)
5	515-05030-14	2	trunnion rubber bushing
6	515-05031-14	2	trunnion clamp casting
7	515-05046-14	2	top spring plate (TS-4440)
8	515-05048-14	4	1-1/8" X 11" U-bolt (TS-4440)
	515-05033-14	4	1-1/8" X 14" U-bolt (TS-5500/TS-5600)
9	515-05035-14	8	1-1/8" X lock nut
10	540-05045-12	4	3/4" X 4-1/2" grade hex head bolt
11	515-05060-14	4	3/4" USS lock nut
12	515-05059-14	4	3/4" flat washer
13	540-15025-10	16	5/8" X 2-1/2" USS (end cap 5" round axle)
	540-15030-10	16	5/8" X 3" USS (end cap 5" square axle)
14	540-14000-10	40	5/8" USS lock nut
15	515-05011-16	8	1-1/8" washer
16	515-05036-14	8	5/8" X 7-1/2" U-bolt (5 round axle)
17	540-12000-10	40	5/8" X 8-1/2" U-bolt (5" square axle)
18	515-05053-14	4	spring end cap
19	515-05039-14	4	spring end rubber pad
20	515-05040-14	4	spring end pad (5" round axle)
21	515-05041-14	2	frame bracket
23	515-05054-14	8	spacer
24	515-05056-14	4	axle seat (5" square axle)
25	515-05049-14	4	spring end pad (5" square axle)

Suspension rebush kits—refer to page 30





# PRO-PAR M-2 SINGLE POINT SUSPENSION



**Complete Suspension Kits\***

515-25131-16 40,000 lb (96" wide)  
 515-25112-16 40,000 lb (102" wide)  
 515-25132-16 50,000 lb (96" wide)  
 515-25102-16 50,000 lb (102" wide)

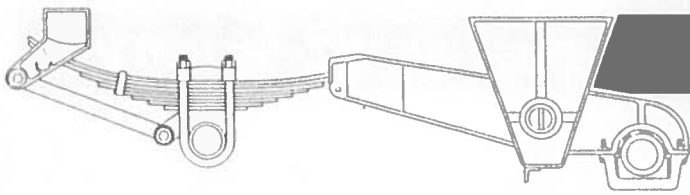
\*suspension kits do not include axles

NO.	PART NUMBER	QTY	ITEM
1	516-05040-16	2	6 leaf spring (40,000 lb)
	516-05050-16	2	7 leaf spring (50,000 lb)
2			(see footnote at bottom of page)
3	515-05001-16	2	rubber trunnion bushing
4			(see footnote at bottom of page)
5			(see footnote at bottom of page)
6	515-05002-16	2	trunnion hub (lower)
7	515-05003-16	2	trunnion hub (upper)
8	515-05004-16	2	spring saddle
9	*515-15004-16	4	12-1/2" trunnion U-bolt (40,000 lb)
	*515-15003-16	4	13-1/4" trunnion U-bolt (50,000 lb)
10	515-05011-16	8	washer
11	515-05012-16	8	1-1/8" hex nut
12	515-05005-16	4	axle seat (5" square axle)
13	515-05006-16	4	locating plate
14	515-05008-16	4	rubber pad
15	515-05007-16	4	spring end cap
16	*515-15004-16	8	axle U-bolt
17	515-05011-16	16	washer
18	515-05012-16	16	1-1/8" hex nut

(\* part number represents 2 U-bolts with nuts & washers)

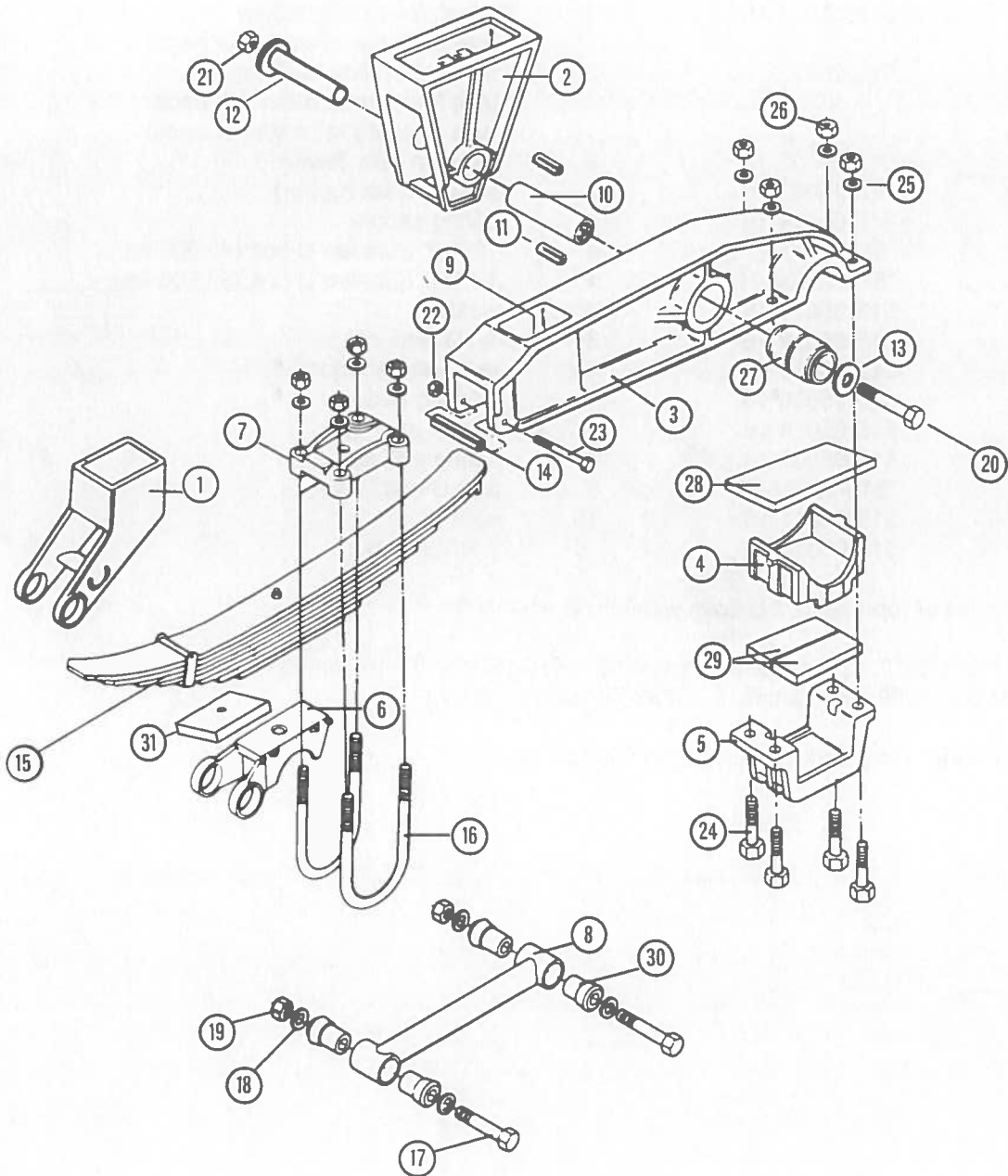
Note: Numbers 2, 4, 5, make up part number 515-15002-16 trunnion ass'y.  
 (Post March 1989, use part #515-15036-16 trunnion ass'y.)

Torque Note: Torque all U-bolts 550 to 600 foot lbs



## RHC DUMP SUSPENSION

Designed uniquely for dump applications.  
Combines outstanding dumping stability  
and low maintenance cost in one suspension.



**Complete Suspension Kits\***

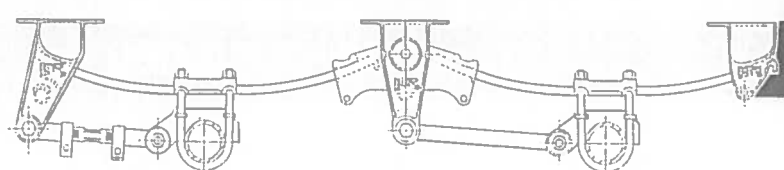
515-25051-05 tandem multi leaf

\*suspension kits do not include axles

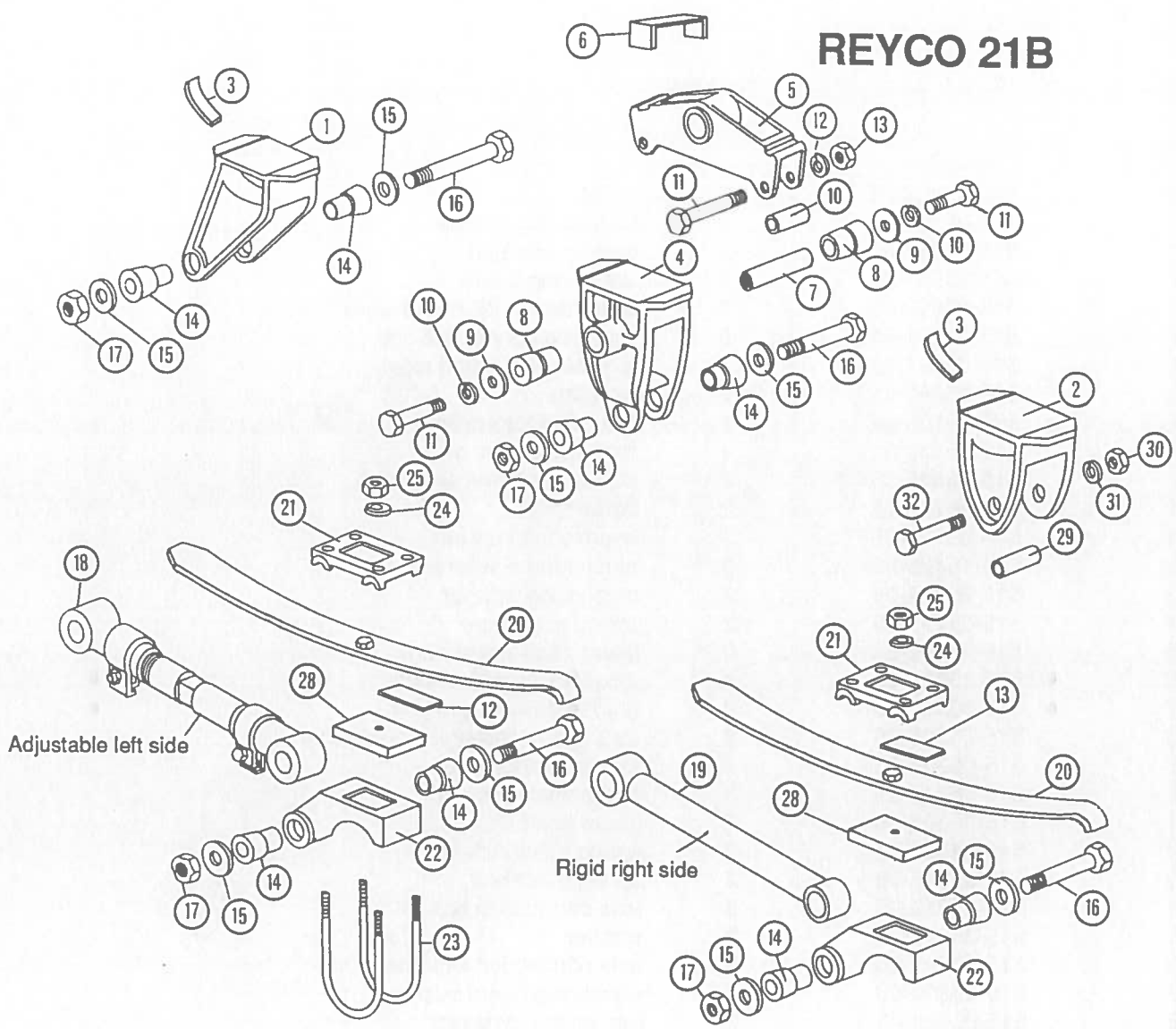
<b>NO.</b>	<b>PART NUMBER</b>	<b>QTY</b>	<b>ITEM</b>
1	515-05101-05	2	front spring hanger
2	515-05633-05	2	trunnion hanger
3	515-05644-05	2	equalizing beam
4	515-05655-05	2	axle adaptor (5" round axle)
5	515-05666-05	2	rear axle connection cap
6	515-05677-05	2	axle seat (5" round axle)
7	515-05688-05	2	top plate
8	515-15100-05	1	long rigid torque arm
	515-15110-05	1	long adj. torque arm
9	515-05645-05	2	equalizing beam wear pad
10	515-05766-05	2	beam shaft
11	515-05770-05	2	beam shaft lock pin
12	515-15125-05	2	crush tube & washer
13	515-05775-05	2	crush tube washer
14	515-05777-05	2	spring roller pipe
15	516-25092-04	2	9 leaf multi-leaf spring
16	515-15035-05	4	axle U-bolts with hi-nuts
17	515-05330-05	4	grade 8 torque arm bolt
18	515-05305-05	8	torque arm compression washer
19	515-05303-05	4	torque arm lock nut
20	515-05343-05	2	beam shaft bolt
21	515-05303-05	2	beam shaft
22	540-04000-07	2	spring roller lock-nut
23	540-05055-08	2	spring roller bolt
24	515-05218-05	8	axle connection bolt
25	515-05209-05	8	washer
26	515-05208-05	8	axle connection lock nut
27	515-05500-05	2	equalizing beam bushing
28	515-05525-05	2	rubber axle wrapper
29	515-05510-05	4	rubber pad
30	515-05515-05	8	rubber torque arm bushing
31	515-05690-05	2	1-1/4" axle spacer

Suspension rebush kits—refer to page 30

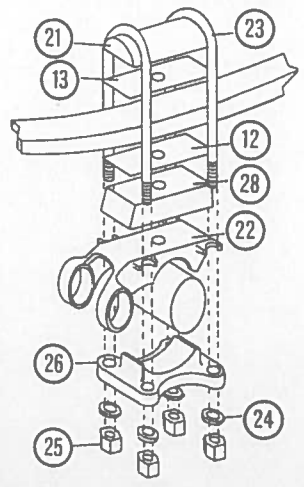
Note: This suspension for 5" round 5/8" wall axle only



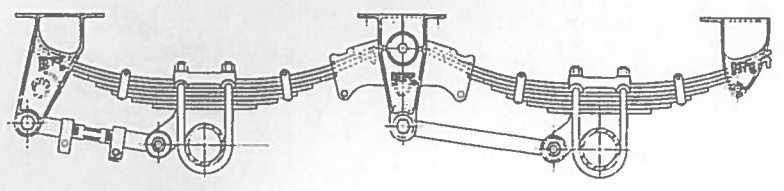
# REYCO 21B



Example shows inverted U-bolts



Optional multi-leaf springs



**Complete Suspension Kits\***

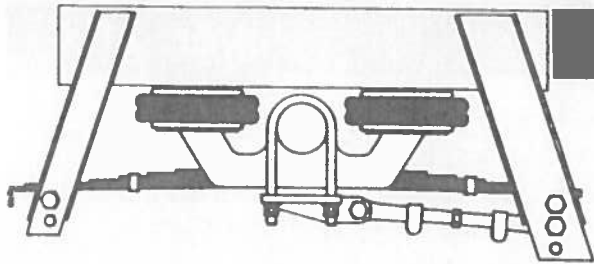
515-25322-18 Tri-axle (5" square axle) single leaf spring  
 515-25222-18 Tandem (5" square axle) single leaf spring  
 515-25321-18 Tri-axle (5" round axle) single leaf spring  
 515-25221-18 Tandem (5" round axle) single leaf spring

\*suspension kits do not include axles

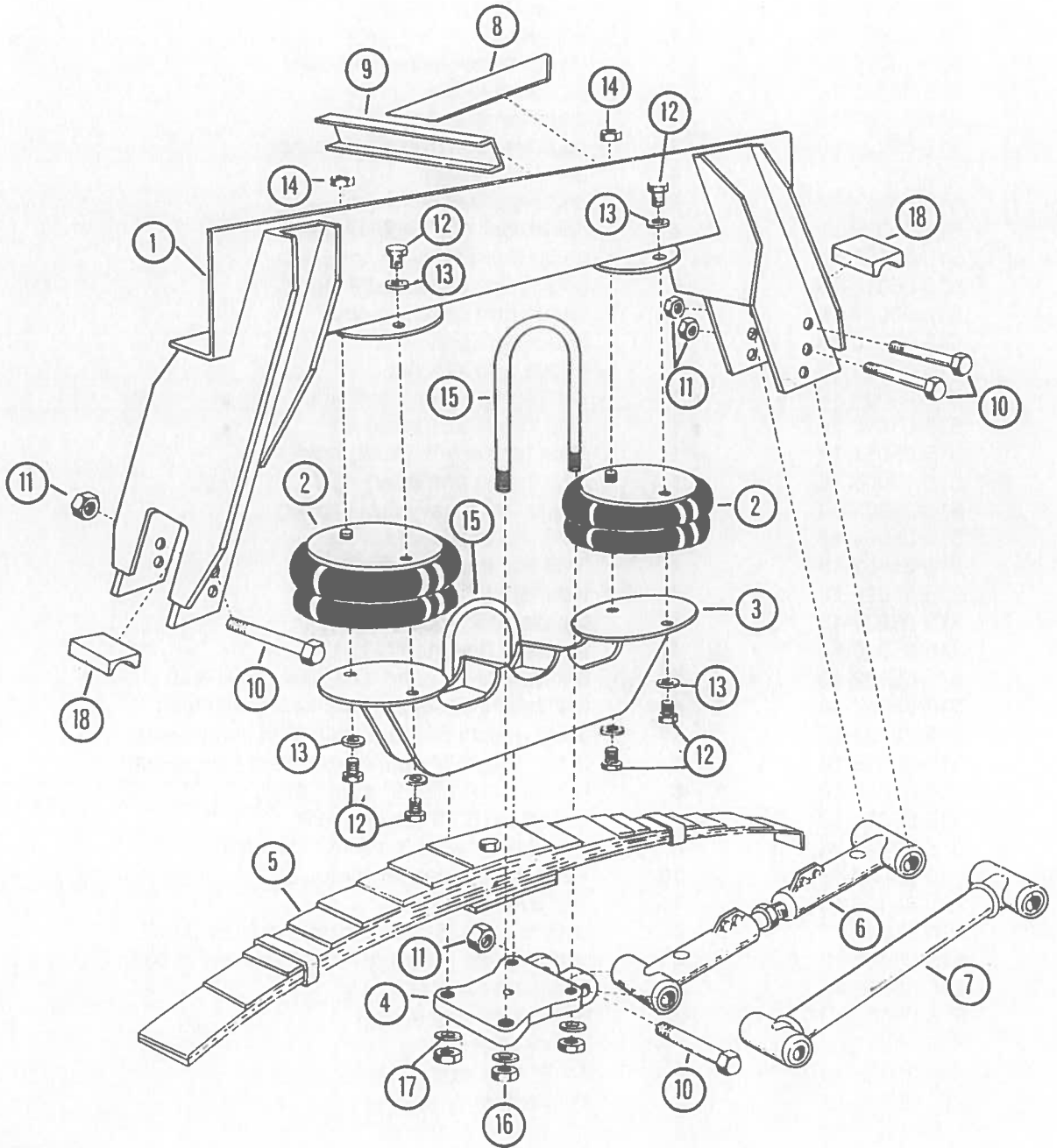
NO.	PART NUMBER	QTY	ITEM
1	515-05000-18	1	front spring hanger R.H.
	515-05001-18	1	front spring hanger L.H.
2	515-05002-18	1	rear spring hanger R.H.
	515-05003-18	1	rear spring hanger L.H.
3	030-10018-00	4	spring hanger wear pads
4	515-05004-18	2	center spring hanger
5	515-05005-18	2	equalizer
6	030-10019-00	4	equalizer reinforcement caps
7	515-05025-18	2	equalizer shaft
8	515-05024-18	4	equalizer bushing
9	515-05022-18	4	equalizer compression washer
10	540-03000-12	4	3/4" lockwasher
11	515-05023-18	2	3/4" equalizer bolts
12	516-05002-23	4	delrin liner pad (without hole)
13	516-05001-23	4	delrin liner pad (with hole)
14	515-05019-18	8	torque arm rubber bushing
15	515-05007-18	8	torque arm comp. washer
16	515-05020-18	4	torque arm bolt
17	515-05021-18	4	torque arm lock nut
18	515-05009-18	1	short torque arm (front) adj.
	515-05010-18	1	long torque arm (rear) adj.
19	515-05011-18	1	short torque arm (front) rigid
	515-05008-18	1	long torque arm (rear) rigid
20	516-25303-23	4	single leaf (heavy duty) spring
	516-25564-18	4	3M8 leaf multi-leaf spring
	516-25452-18	4	3M9 leaf multi-leaf spring
21	515-05026-18	4	top plate (5" round axle)
	515-05039-18	4	top plate (5" square axle)
	515-05040-18	4	top plate (inverted U-bolt)
22	515-05032-18	4	3/4" height 5" round axle seat (multi-leaf)
	515-05037-18	4	3/4" height 5" square axle seat (multi-leaf)
	515-05033-13	4	3-1/4" height 5" round axle seat (single-leaf)
	515-05038-18	4	3-1/4" height 5" square axle seat (single-leaf)
23	515-05035-18	8	U-bolts—17-1/2", 5" round axle
	515-05036-18	8	U-bolts—16", 5" square axle
	515-05045-18	8	U-bolts—3" wide X 17-1/2" (inverted)
24	540-08020-14	16	7/8" SAE flat washer (grade 8)
25	540-06000-14	16	7/8" SAE high nut
26	515-05043-18	4	bottom plate (5" round axle) inverted U-bolt
	515-05041-18	4	bottom plate (5" square axle) inverted U-bolt
27	515-05042-18	8	5" square axle U-bolt clip
28	515-05031-18	2	2-1/2" axle seat spacer
	515-05030-18	2	2" axle seat spacer
	515-05029-18	2	1-1/2" axle seat spacer
	515-05028-18	2	1" axle seat spacer
	515-05027-18	2	1/2" axle seat spacer
29	515-05006-18	6	spring roller
30	540-01000-08	6	spring roller nut
31	540-03000-08	6	spring roller lockwasher
32	540-05050-08	6	spring roller bolt

Suspension rebush kits—refer to page 30





# TURNER MODEL Q-AH



**Complete Suspension Kits\***

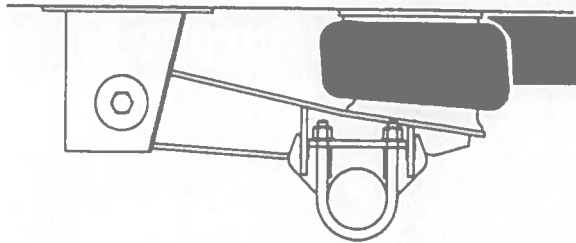
517-25222-20 with \*air controls

\*suspension kits do not include axles

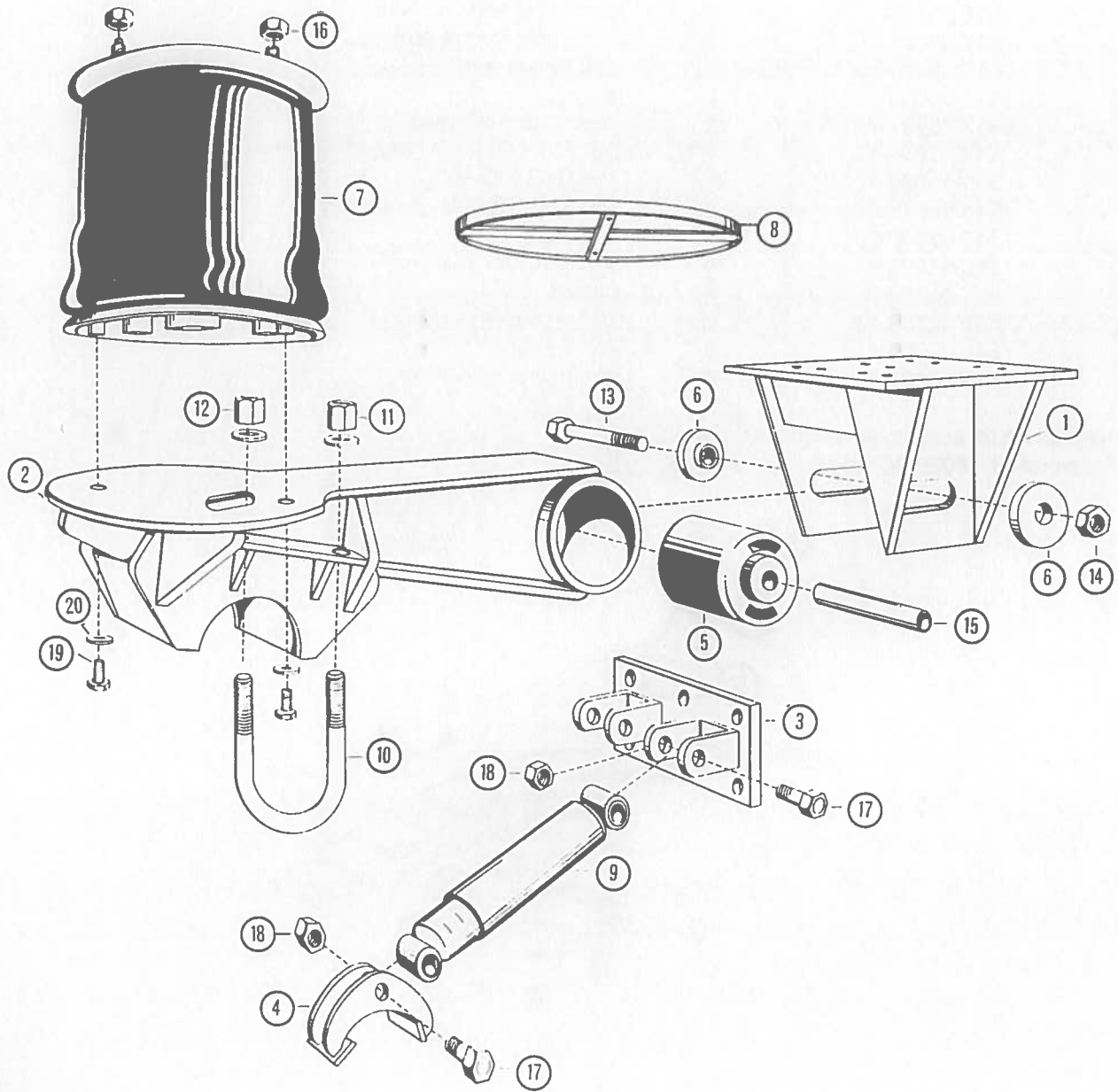
<b>NO.</b>	<b>PART NUMBER</b>	<b>QTY</b>	<b>ITEM</b>
1	517-05680-20	1	side rail ass'y R.H.
	517-05681-20	1	side rail ass'y. L.H.
2	518-05003-20	4	air spring ass'y.
3	517-05334-20	2	load arm ass'y.
4	517-05368-20	2	spring seat ass'y.
5	516-25733-20	2	leaf spring (lift)
6	517-05405-20	1	adjustable torque arm
7	517-05404-20	1	rigid torque arm
8	517-05633-20	2	gusset
9	517-05631-20	1	cross channel brace
10	540-15055-14	8	7/8" X 5-1/2" USS hex bolt
11	540-14000-14	8	7/8" USS lock nut
12	540-15010-06	12	3/8" X 1" USS hex head bolt
13	540-03000-06	12	3/8" lockwasher
14	540-11000-12	4	3/4" SAE hex nut
15	517-05120-20	4	U-bolts
16	540-06000-14	8	7/8" high nut
17	540-05080-14	8	7/8" washer
18	517-05156-20	4	slider block assembly

4 air bag/spring lift assembly—pusher suspension

\*air lift control kit—#099-30819-02



**TURNER T-15-140  
T-17-141  
T-20**



### Complete Suspension Kits\*

517-25015-20	T-15 5" round axle
517-25017-20	T-17 5" round axle
517-25020-20	T-20 5" round axle
517-25227-20	T-17 with twin beam lift
517-25120-20	T-20 with twin beam lift

\*suspension kits do not include axles

NUMBER	PART NUMBER	QTY	ITEM
1	517-05501-20	1	frame bracket T-15 L.H.
	517-05502-20	1	frame bracket T-15 R.H.
	517-05701-20	1	frame bracket T-17 L.H.
	517-05702-20	1	frame bracket T-17 R.H.
	517-05501-20	1	frame bracket T-20 L.H.
	517-05502-20	1	frame bracket T-20 R.H.
2	517-05703-20	2	beam & axle seat T-15/T-17 L.H.
	517-05704-20	2	beam & axle seat T-15/T-17 R.H.
	517-05203-20	2	beam & axle seat T-20 L.H.
	517-05204-20	2	beam & axle seat T-20 R.H.
3	517-05001-20	2	upper shock bracket
4	517-05002-20	2	lower shock bracket
5	517-05003-20	2	*tri-functional bushing
6	517-05004-20	4	alignment collars
	518-05005-20	2	air spring (2-stud)
7	518-05004-20	2	air spring (4-stud) pre-1985
	558-05008-20	2	**air spring alum. spacer plate
8	517-05006-20	2	shock absorber
9	517-05007-20	4	U-bolts
10	540-08020-14	8	7/8" washer
11	540-06000-14	8	7/8" hi-nut GR.8
12	517-05008-20	2	beam bolt 1-1/8" X 9-3/4" USS GR 8
13	540-06000-17	2	hex lock nut 1-1/8" USS
14	517-05015-20	2	beam bolt Delrin liner
15	540-01000-12	2	3/4" SAE hex head nut
16	540-15035-12	4	3/4" X 3-1/2" USS hex head bolt
17	540-14000-12	4	3/4" USS hex head lock nut
18	540-15015-08	4	1/2" X 1-1/2" USS hex head bolt
19	540-02000-08	4	1/2" washer

\*also available in heavy duty style—Part #517-05012-20 with 2 piece 517-05013-20 retainer ring

\*\* used with T-17 suspension on front axle of East flatbeds

Note: These suspensions use only 5/8" wall—5" round axles

# Suspension Rebush Kits

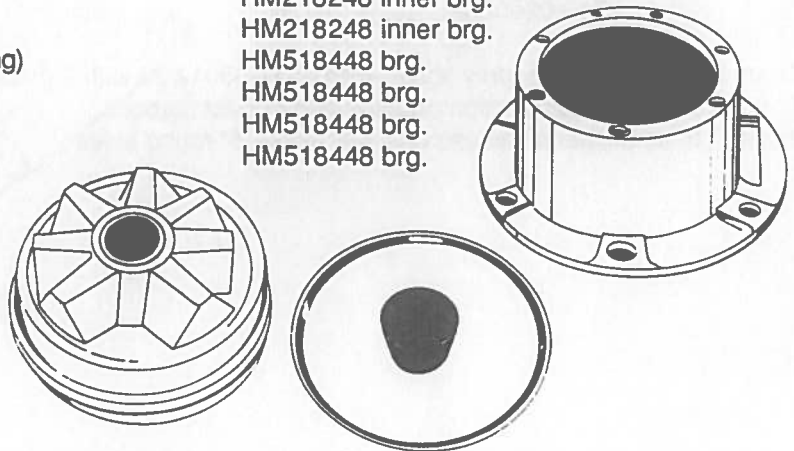


PART NO.	DESCRIPTION	SUSPENSION
515-15136-14	rubber bushing & U-bolts	Neway TS-4400
515-15033-14	rubber bushing & U-bolts	Neway TS-5500
515-15137-14	rubber bushing & U-bolts	Neway TS-5600
515-15036-14	trunnion connection	Neway RTS-544-4
515-15039-14	torque arm connection	Neway RTS-544-4
517-15145-14	pivot connection	Neway AR-90-14/17 SP, AR-95-17, ART-551-B-1
517-15149-14	axle connection (5" round)	Neway AR-90-14/17 SP
517-15064-14	axle connection (5" round)	Neway AR-95-17
517-15128-14	axle connection (5" round)	Neway ART-551-B-1
515-15493-05	complete tandem rebush kit	RHC 25051
515-15492-05	tandem trunnion connection	RHC 25051
515-15491-05	tandem axle connection (5" round)	RHC 25051
515-15494-05	tandem torque arm connection	RHC 25051
515-15319-18	tandem torque arm connection	Reyco 21B
515-15506-18	tandem equalizer connection	Reyco 21B

# Wheel Seals/Oil Caps/Gaskets

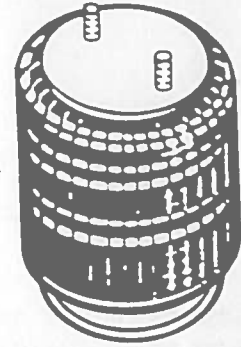


PART NO.	DESCRIPTION	USED ON SPINDLE WITH INNER BEARING TYPE
531-05209-19	wheel seal (uses wear ring)	663 inner brg.
531-05107-19	axle wear ring	663 inner brg.
531-05107-03	combination seal	663 inner brg.
531-05210-19	wheel seal (uses wear ring)	HM218248 inner brg.
531-05104-19	axle wear ring	HM218248 inner brg.
531-05104-03	combination seal	HM218248 inner brg.
531-05223-19	wheel seal (uses wear ring)	HM518448 brg.
531-05103-19	axle wear ring	HM518448 brg.
531-05103-03	combination seal	HM518448 brg.
531-05243-19	combination factory seal	HM518448 brg.
531-05409-19	6 hole oil hub cap	
531-05309-19	6 hole gaskets	
531-05990-19	rubber center plug	
531-15038-19	spin on oil hub cap	
531-05367-16	hub cap "O" ring cap	
531-05905-16	rubber center plug	
531-05495-16	bolt on Pro-Par hub cap	

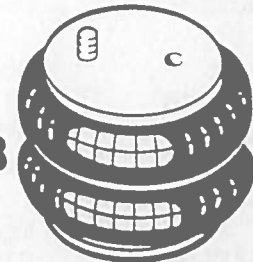


PART NUMBER	DESCRIPTION	SUSPENSION
518-05104-07	Granning	T-502-L
518-05102-07	Granning	T-100-AT
518-15086-14	Neway	AR90-14/17 SP
518-15020-14	Neway	AR95-17
518-15008-14	Neway	ART-551-B-1
518-15001-14	Neway	AL-75 lift
518-15014-14	Neway	twin beam lift
518-05004-20	Turner	T15/T17 (pre 1985)
518-05005-20	Turner (picture A)	T15/T17
518-05003-20	Turner (picture B)	QAH lift

**A**

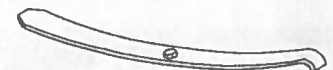


**B**

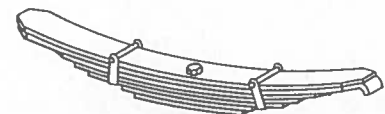


PART NUMBER	DESCRIPTION	SUSPENSION
516-25999-08	7 leaf (50,000 lb)	H900-50 Hutch
516-25101-08	9 leaf (60,000 lb)	H900-60 Hutch
516-15154-14	14 leaf	RTS 544-4 Neway
516-15272-14	5 leaf (40,000 lb)	TS-4400 Neway
516-15273-14	5 leaf (50,000 lb)	TS-5500 Neway
516-15277-14	7 leaf (60,000 lb)	TS-5600 Neway
516-05040-16	6 leaf (40,000 lb)	Pro-par M-2
516-05050-16	7 leaf (50,000 lb)	Pro-par M-2
516-25092-05	9 leaf multi	RHC
516-25312-05	single leaf	RHC (WSL-93L)
516-25564-18	A 3M 8 leaf	Reyco
516-25452-18	3M 9 leaf	Reyco
516-25303-18	B single leaf	Reyco (WSL93-C)
516-25041-18	special application	Reyco (single leaf) (42" to 44" spacing)
516-25733-20	QAH multi leaf	Turner lift spring
516-05001-23	delrin pad with hole	single leaf insulator
516-05002-23	delrin pad without hole	single leaf insulator

**B**




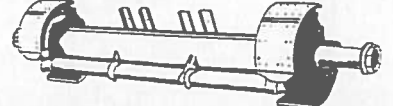
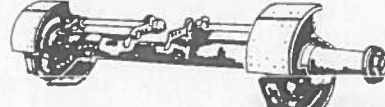
**A**





## Axles East stock

All axles listed equipped with 16-1/2" X 7" brakes unless noted

<p>520-25468-16 520-25398-16 520-25032-16</p>	<p>Pro Par (5" square) 37 spline cams &amp; slack adjuster Pro Par square axle 71-1/2" track STD cams Pro Par square axle 77-1/2" track STD cams Pro Par square axle 71-1/2" track short cam for Granning</p>	
<p>520-25712-18 520-25503-18 520-25706-18</p>	<p>Rockwell (5" round) 28 spline cam &amp; slack adjuster STD long cam 71-1/2" track STD spindle 5/8" wall STD long cam 71-1/2" track Pro Par spindle 5/8" wall short cam 71-1/2" STD spindle 1/2" wall</p>	
<p>520-25712-99 520-25503-99 520-25706-99 520-25722-99 520-25504-99 520-25742-99 520-25812-99 520-25720-19</p>	<p>Ingersol (5" round) 10 spline cam &amp; slack adjuster STD long cam 71-1/2" track STD spindle 5/8" wall STD long cam 71-1/2" track Pro Par spindle 5/8" wall short cam 71-1/2" track STD spindle 5/8" wall STD long cam 77-1/2" track STD spindle 5/8" wall STD long cam 77-1/2" track Pro Par spindle 5/8" wall STD cam, spindle 71-1/2" track 5/8" wall 16-1/2" X 8-5/8" brake STD cam 71-1/2" track old style spindle 5/8" wall drop center axle with cam &amp; air chamber bracket for use with Turner QAH</p>	

Pro Par spindle requires HM 518445 inner and outer bearings.

New style spindle requires HM 218248 inner HM 212049 outer bearings.

Old style spindle requires HM 663 inner and HM 212049 outer bearings.

# Bearings

EAST PART #	DESCRIPTION
530-05653-20	653 inner race
530-05663-20	663 inner brg.
530-05011-20	HM 212011 outer race
530-05049-20	HM 212049 outer brg.
530-05410-20	HM 518410 race
530-05445-20	HM 518445 brg.
530-05248-20	HM 218248 brg.
530-05210-20	HM 218210 race

