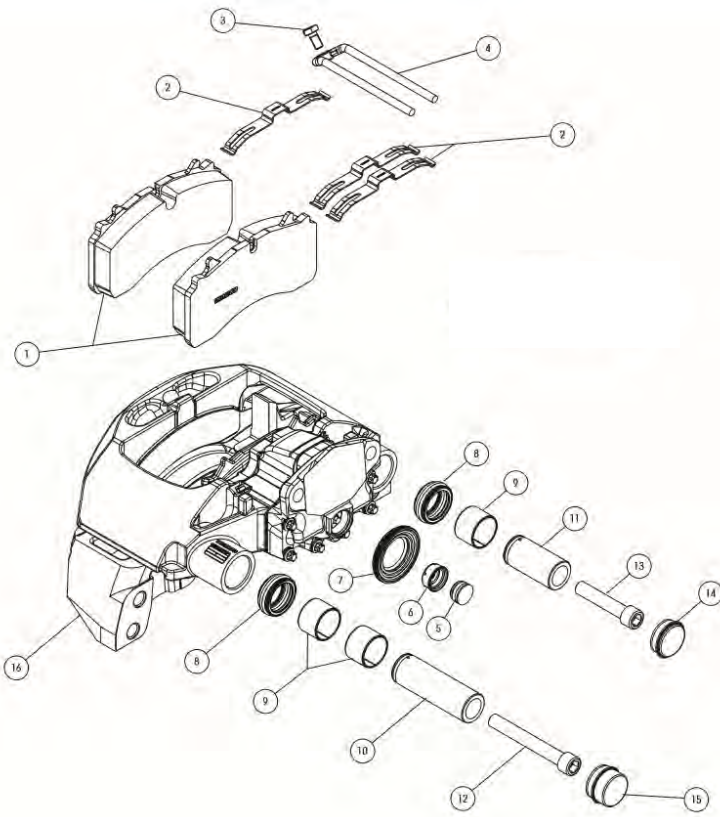




Disc Brake parts in stock at East Mfg.

East Manufacturing is now stocking common Air Disc Brake components from Hendrickson. Below is an easy to use breakdown of East and Hendrickson part numbers. For a complete list of Hendrickson ADB components, visit <http://www.hendrickson-intl.com/L1063>



WABCO

Wabco PAN22 *East's most common ADB brake system*

Most commonly used replacement parts

Pad kit Hendrickson # S-32676-1

537-15676-20

Includes :

4 pads, 6 springs, 2 bolts, 2 holder bars and 2 plugs
(Item numbers 1-4)

LH Caliper/Carrier Assembly Hendrickson # S-33648-2

537-25649-20

RH Caliper/Carrier Assembly Hendrickson # S-33648-3

537-25650-20

Either side Includes:

1 caliper, 1 carrier and mounting hardware
(Item number 16)

Left air chamber Hendrickson # S-38723-L

Type 20/24 # 537-25003-20

Right air chamber Hendrickson # S-38723-R

Type 20/24 # 537-25002-20

(Not pictured)





Disc Brake parts in stock at East Mfg.



Hendrickson MAXX22T East's newest and becoming more common ADB system

Most commonly used replacement parts

Pad kit Hendrickson # S-35303-1 [# 537-15677-20](#)

Includes :

4 pads, 4 springs, 2 holder brackets, 2 screws and 2 plugs (Item numbers 1-5)

LH Caliper Assy w/hardware Hendrickson # S-35973-L

[# 537-25652-20](#)

RH Caliper Assy w/hardware Hendrickson # S-35973-R

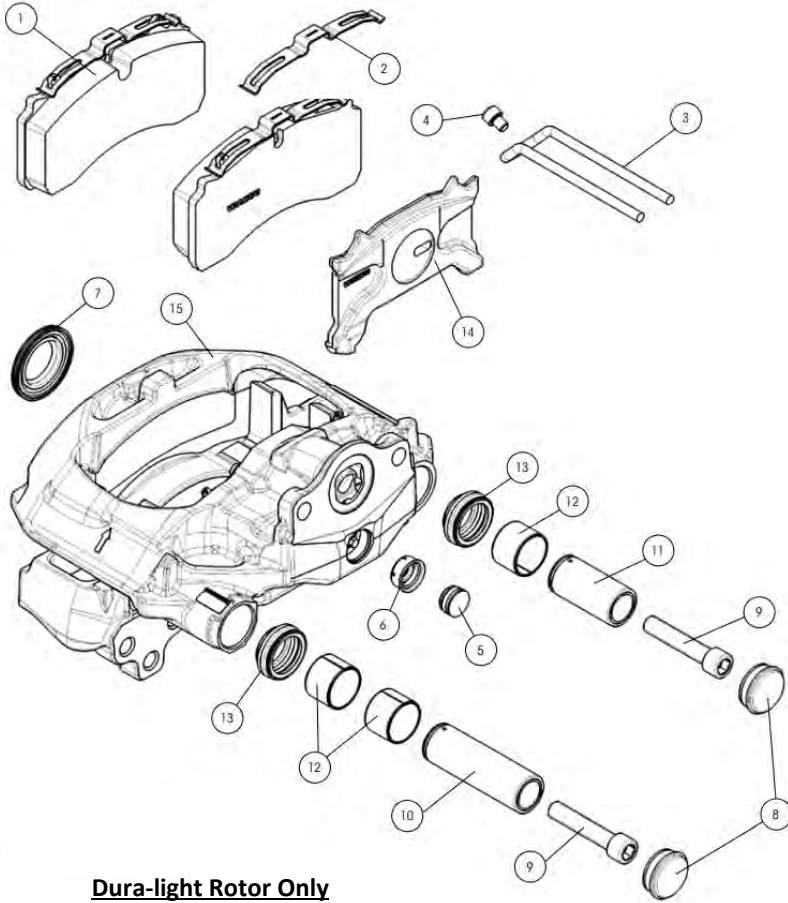
[# 537-25653-20](#)

Left air chamber Hendrickson # S-38264-L

Type 18/24 [# 537-25446-20](#)

Right air chamber Hendrickson # S-38264-R

Type 18/24 [# 537-25447-20](#)

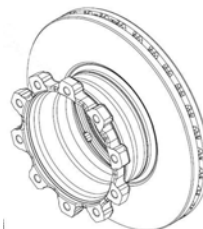
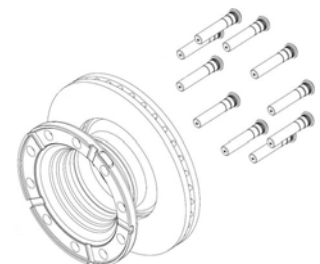


Dura-light Rotor Only

Hendrickson # S-37009-2

[#537-25700-20](#)

Includes 1 rotor and 10 long wheel studs



Ductile Iron Rotor Only

Hendrickson # S-38765

[#537-25701-20](#)



Disc Brake parts in stock at East Mfg.



Bendix ADB22X East's least most common ADB system

Most commonly used replacement parts

Pad kit Hendrickson # S-29152-2



537-15152-20

Includes :

4 pads, 4 springs, 2 retainers, 2 pins, 2 washers, 2 clips, 2 adjusters, 2 caps (Item numbers 1-7)

LH Caliper/Carrier Assy Hendrickson # S-33647-2



537-25647-20

RH Caliper/Carrier Assy Hendrickson # S-33647-3



537-25648-20

Either side Includes:

1 caliper, 1 carrier and mounting hardware

(Item numbers 23 for RH, 24 for LH)

Left air chamber Hendrickson # S-38105-L



Type 18/24

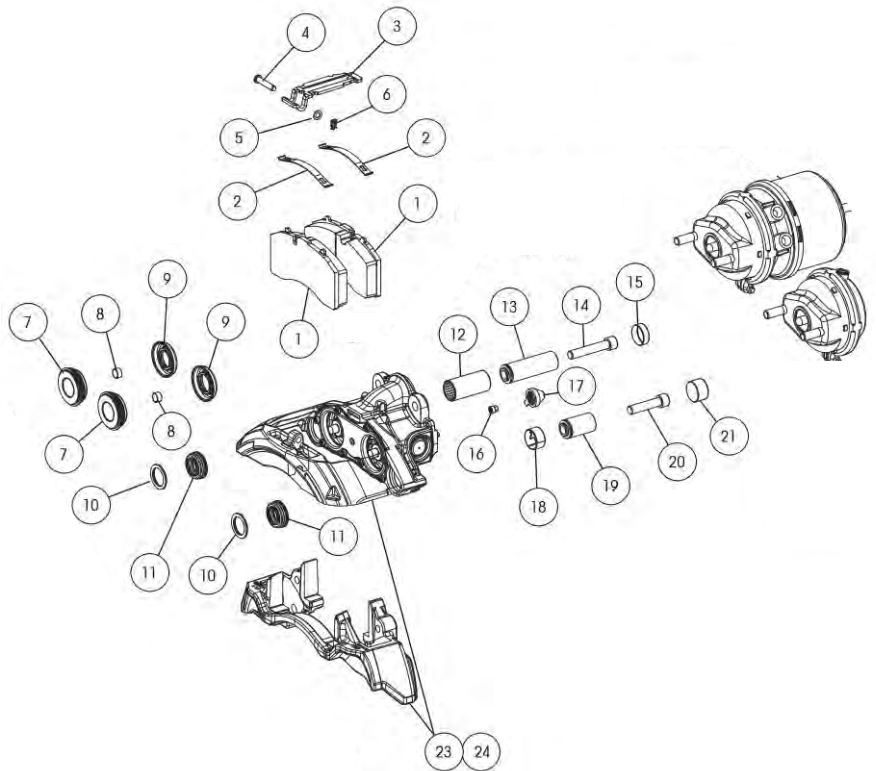
537-25000-20

Right air chamber Hendrickson # S-38105-R



Type 18/24

537-25001-20



Ductile Iron Rotor Only

Hendrickson # S-32193

#537-25651-20

